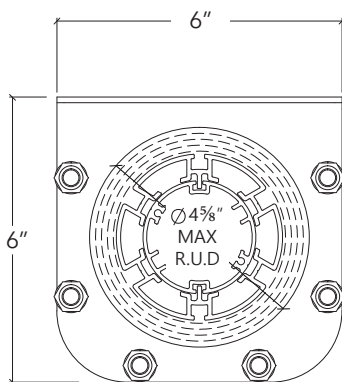


MR350 Catch Bracket Motorized Shade

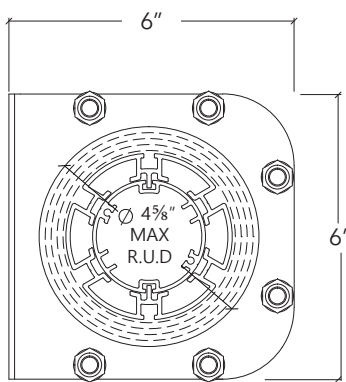
Technical Data



CEILING/JAMB MOUNT

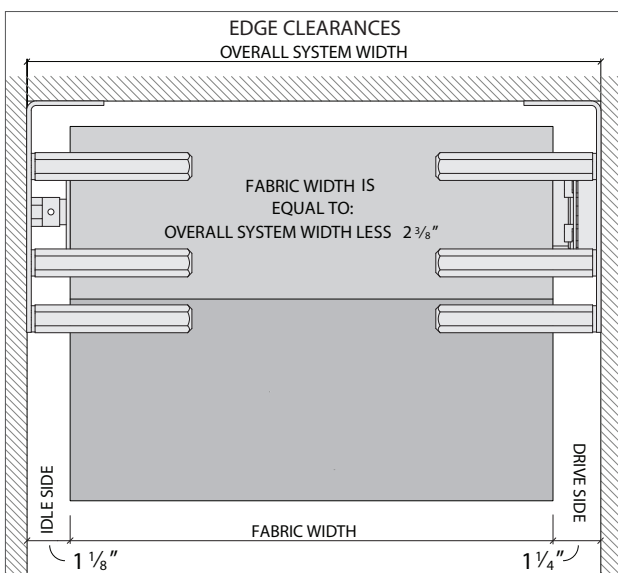


WALL MOUNT



FEATURES AND BENEFITS

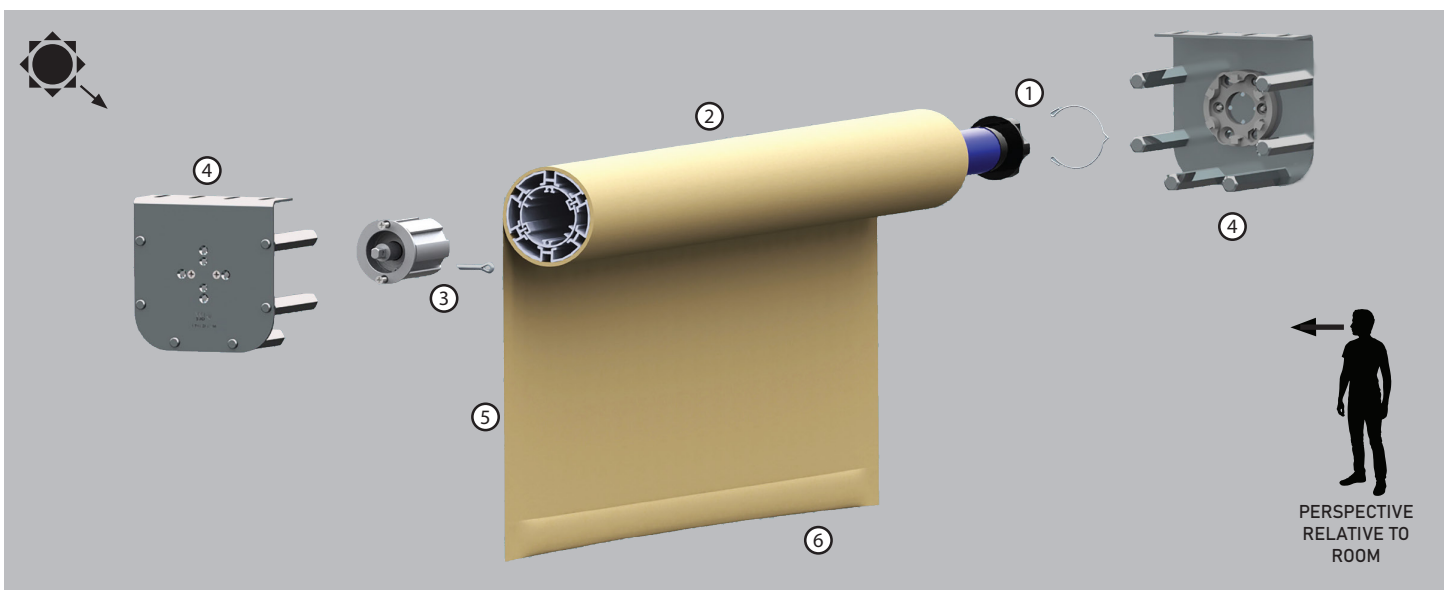
- Catch Brackets feature safety posts for added safety of extra large or high bay applications.
- Brackets can be Ceiling or Wall Mounted.
- Featuring out smallest profile Bracket for installing in tight spaces and pockets when not using fascia. Accommodates Ceiling and Wall on-the-fly adjustments.
- Regular and Reverse Roll available.
- See Motor Reference Guide for all compatible motor options. Motors may be Drive Right or Drive Left, Regular and Reverse Roll available.
- Motorized Shades require a Motor Control in order for the shade (sold separately). See Communication Guides for Motor Control information.
- WT Shades are available with our WT Shade fabrics, or Mermet® and Phifer® fabrics. Visit WTShade.com to view fabric options, and other options and accessories, including Regular or Reverse Roll and various Hembar styles and Drive Chain Colors.
- Construction Documents for this system and others available at WTShade.com.
- Third part certified to meet WCMA Best for Kids Program Eligibility.



IPC.3522.Rev2

MR350 Catch Bracket Motorized Shade

Technical Data



#	ITEM	ADDITIONAL INFORMATION	COLOR OPTIONS
1	MOTOR WITH ADAPTERS	See Motor Reference Guide for available motors. For large or high bay shades.	
2	NESTED ROLLER TUBE	Contains (2) Nested Roller Tubes 2.38" and 3.5" Diameter.	
3	HEAVY DUTY IDLER WITH SET PIN	Retractable.	Mill Finish (-99)
4	BRACKETS WITH RETAINER RING	Ceiling Jamb(C) or Wall Mounted(M); Drive Right(R) or Drive Left(L).	
5	FABRIC	See fabric selection for all available options.	Visit WTShade.com
6	HEMBAR	Alternative styles and colors available.	Visit WTShade.com
N/A	LIGHT BLOCKING ACCESSORIES	(Not shown) Side channel, Sill channel, or Light stop angle.	Visit WTShade.com
N/A	MOTOR CONTROL	(Not Shown) SOLD SEPARATELY See Communication Guides for available control options.	

SERIES	MAX. R.U.D.	MIN. SHADE WIDTH**	MAX. SHADE WIDTH**	MAX. SHADE HEIGHT**
MR350	4 $\frac{5}{8}$ "	**	192"	276"

** Varies by motor- See Motor Reference Guide.

System Capabilities are for guideline purposes only based on WT 243 fabric and do not guarantee that a shade with any fabric can be made to these dimensions. Width and length may vary depending on selected shade fabric. Visit WTShade.com or contact Customer Service to verify system capabilities based on project specific selections.

