

BASIC PROGRAMMING INSTRUCTIONS



These installation steps will cover the most basic information necessary to successfully install any MotoRise system that contains a Wired Motor. For more advanced information or to troubleshoot issues you are having with an installation, please contact :

WT Shade Customer Service:

(877) 294-3580

Monday- Friday
8:30AM- 5:00PM

Follow these instructions for:



With Group Controller

Before you Begin

Shades MUST be installed in brackets prior to these steps. Do not attempt to program a motor that is laying on a table or is not inserted into a tube.

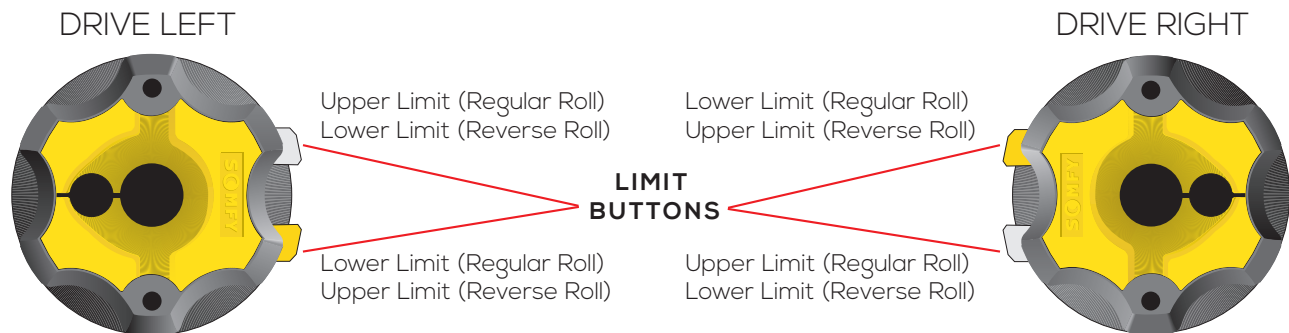
Tools you will need to provide:

- Limit Setting Switch (Consists of a DPDT Switch, wired to a 3 prong-plug and a cable with a Female Anderson Plug. Available preassembled from WT Shade.)
- At least 1 WTGC wall switch
- 3 Conductor Power Cable for Power to Group Controller
- RS485 Data Cable for switch connection (1 per switch)

SET MOTOR LIMITS (RAPID LIMITS)

1. Connect motor to Limit Setting Switch via Anderson Plug
2. Locate Mechanical limit buttons on the head of the motor.
3. Depress Limit Setting Buttons to release motor.
4. Use the Limit Setting Switch to move the motor to the desired upper limit. Press the appropriate limit button* to set the upper limit.
5. Use the Limit Setting Switch to move the motor to the desired lower limit. Press the appropriate limit button* to set the lower limit.

*Limit Buttons control different limits depending on the drive side and the roll direction of the shade. See below for the button functions depending on these factors.



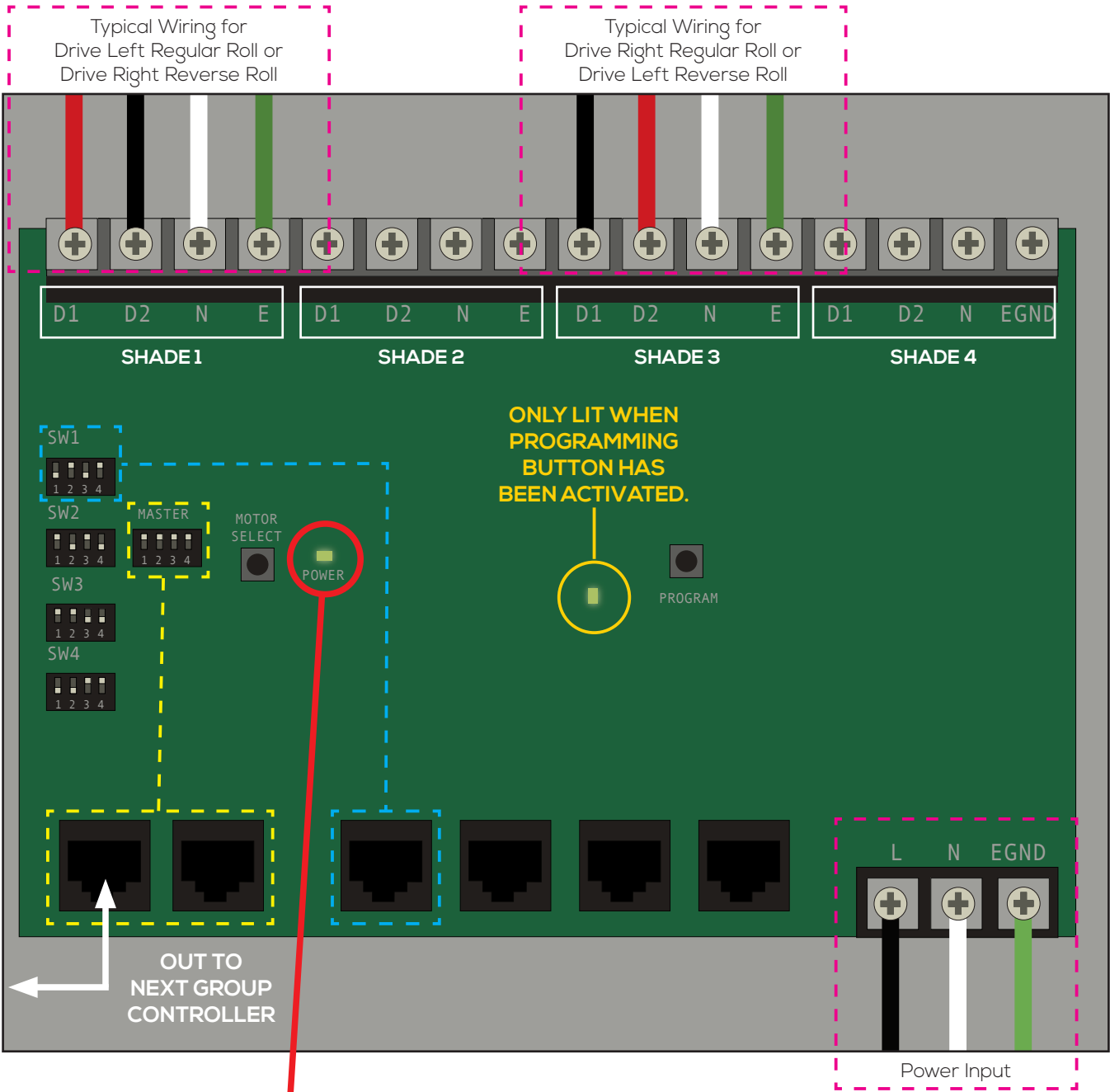
PRO TIP

If pressing ▼ on the limit setting switch results in the shade rolling up, you must reverse the red and black wires connected to the switch.



SIMPLIFIED VIEW- GROUP CONTROLLER

For ease of use, we have simplified the view of the Group Controller, limiting the components to only those which are necessary for motor installation and set up.



LIGHT WILL BE ON WHEN POWER IS LIVE



NOTE: DISCONNECT POWER TO GROUP CONTROLLER BEFORE CONNECTING MOTOR CABLES AS SHOWN ABOVE. ONCE CONNECTED, BOX WILL BE LIVE.

{T} 877.294.3580 • {F} 516.294.0444 • {E} info@WTShade.com • 77 Second Avenue • Garden City Park, New York 11040 • www.WTShade.com

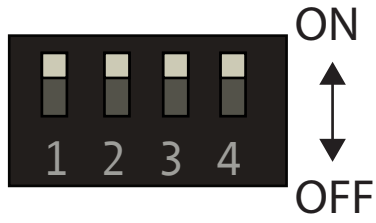
NOTE: Motor Limits must be set prior to performing the steps below

CONNECT MOTORS TO GROUP CONTROLLER

1. Connect all J-Box Leads to Group Controller. Only connect one lead per terminal.
2. Connect power to Group Controller. When powered correctly the green POWER LED will illuminate solid green.
3. Connect Motor Lead to J-Box Lead by connecting the male and female Anderson Quick Disconnect plugs. If wired correctly, the motors will move to their upper limit. NOTE: If motors move to lower limit the wires are reversed. Disconnect power from the Group Controller and reverse the wired from the motors moving in the wrong direction. See previous illustration for proper wiring configuration to Group Controller.

SET KEYPAD GROUP CONTROL

Each keypad connected to the Group Controller can connect ONE group of motors. Connect up to 4 switches to control up to 4 different groups. The DIP switches on the left of the board correspond to the RJ45 ports at the bottom of the board. **NOTE:** There is a single DIP switch that configures both Master Ports.



1. Set the DIP switches to the corresponding keypad inputs by moving them up to the "ON" position.
2. Once settings have been chosen, PRESS and HOLD the "MOTOR SELECT" button until the POWER LED turns off, then release. The Power LED will illuminate solid green.

SET DEFAULT INTERMEDIATE POSITIONS

1. PRESS and HOLD the "PROGRAM BUTTON" until the PROGRAM LED illuminates solid green then release. Motors will move first to the upper limit, then to the lower limit, and back to the upper limit. Once programming is complete the PROGRAM LED will turn off. Default intermediate positions (25%, 50%, 75%) are now set. Confirm operation by pressing each button on all connected keypads.

To Set Custom Intermediate Position:

1. Complete the Set Default Intermediate Positions programming above.
2. Using the keypad connected to the motor(s) you wish to control, adjust the window covering to the desired new intermediate position.
3. PRESS and HOLD the preset button you wish to reprogram with the new intermediate position until the motor(s) jogs to save.

DAISY-CHAINING MULTIPLE GROUP CONTROLLERS

1. Configure the Master DIP switches to control desired motors.
2. Connect open Master Port to an empty Master Port on the next Group Controller.