



NATURAL LIGHTING SOLUTIONS

WT
SHADE[®] 

PRODUCT CATALOG
2019



THE SINGLE SOLUTION FOR EVERY INSTALLATION

When it comes to selecting the right window treatment for your solar control project, the priorities of an installer might be very different than that of an architect, designer, or homeowner. With the SoloMount Bracket® series, there is one hardware solution to please them all, and it is only available at WT Shade®.



THE SoloMOUNT BRACKET®
One bracket... So many possibilities.

Any WT Shade system mounted with the SoloMount Bracket[®] is a guarantee of a worry-free installation. Whether needing to change from ceiling mount to wall mount, extend the bracket away from the mounting surface, or even join multiple brackets together, a SoloMount Bracket will ensure the solution is already in hand. Installing in half the time as other shading hardware, these adjustable, fascia compatible brackets are available for manual or motorized shading systems and come in single or double shade configurations.

SOLOMOUNT[®] FEATURES:

Metal-to-metal contact attachment points for other shading hardware guarantees a reliable connection to the brackets.

Flange is **extendible** on many bracket models, allowing for adjustment for unexpected installation conditions.

Adjustable Mounting flange can be moved from ceiling to wall mount in a pinch.

Contoured shape guides components into position.

Requires only **2-3 screws** to install.

Center joiner plates can be used to **join two brackets together**.

Compatible with **Front Fascia and Rear Fascia** or a combination of both.

Available in White or Black, brackets will be color coordinated based on your selected fabric color.

Set-screws allow for attachment of WT Shade clutches for a safe and secure manual shade installation.

Designed & engineered in the USA. Patent-pending. An exclusive product of WT Shade[®].

For more information or to place an order, contact us today:

{T} 877.294.3580 • {F} 516.294.0444

{E} info@WTShade.com • www.WTShade.com

77 Second Avenue • Garden City Park, New York 11040



WHICH SYSTEM WILL FIT?

What Shade?

Not sure which system you should use? Enter your dimensions and select a fabric to determine which systems is the best fit for your project!

Width Manual Shade
Length Motorized Shade
Fabric With Fascia?

**WT
SHADE**
WINDOW TREATMENT SOLUTIONS

QUICK SAMPLES

What Shade?

CONTACT

PRIVACY POLICY

TERM & CONDITIONS

WARRANTY

Use the **What Shade? Tool**, located in the Toolbox at WTShade.com, to find out the best shading system to use on your next project. Simply enter the width and length, select a fabric and GO!

NATURAL LIGHTING SOLUTIONS CATALOG 2019

TABLE OF CONTENTS

ABOUT OUR COMPANY

Shading 101	A2
Color Coordination Guide	A5
Building A Shade	A6
Where to Buy	A7

HeliaRISE® MANUAL SHADING SYSTEMS

Manual Shading Systems Guide	B2
HeliaRise Child Safety	B3
<u>HeliaRise H100 Systems:</u>	
H100 SoloMount	B4
H100 Slim	B6
H100 Piggyback SoloMount	B8
<u>HeliaRise H200 Systems:</u>	
H200 SoloMount	B10
H200 Slim	B12
H200 Piggyback SoloMount	B14
<u>HeliaRise H300 Systems:</u>	
H300 SoloMount	B16
H300 Slim	B18
SAM (Spring Assist Mechanism)	B20
Chain Selection	B21

MotoRISE® MOTORIZED SHADING SYSTEMS

Motorized Shading Systems Guide	C2
MotoRise Child Safety	C3
<u>MotoRise Low Voltage Systems:</u>	
MR150 SoloMount	C4
MR150 Slim	C6
MR150 Piggyback SoloMount	C8
<u>MotoRise Line/High Voltage Systems:</u>	
MR250 SoloMount	C10
MR250 Slim	C12
MR250 Piggyback SoloMount	C14
MR250 Piggyback Slim	C16
<u>MotoRise Heavy Duty Systems:</u>	
MR350 Slim	C18
<u>Motor Communication Guides:</u>	
Motor Reference Guide	C20
RTS® Communication (Low Voltage)	C21
RTS® Communication (Line Voltage)	C22
Digital Communication (Line Voltage)	C24
Wired Communication (1-2 Motors)	C26
Wired Communication (3+ Motors)	C28

OUR SPECIALTY SOLUTIONS

Specialty Shading Systems Guide	D2
Wrapped Frame Fixed Panel	D3
<u>BottomRise Shading Systems:</u>	
BottomRise U200 SoloMount System	D4
BottomRise MU150 SoloMount System	D6
<u>AeRise Shading Systems:</u>	
AeRise AR250 SoloMount System	D8
AeRise AR250 Slim System	D10
AeRise AR350 Slim System	D12

OUR SHADING ACCESSORIES

Fascia	E2
Shading Enclosures	E4
Light Blocking Accessories	E7
Guide Systems	E10
Hembar Styles	E13

OUR FABRIC SELECTION

EcoFabrix® Quick Selection Guide	F3
Mermet® Quick Selection Guide	F4
Sample Program	F6

GENERAL INFORMATION

Measurement Instructions	G2
Guidelines for Printed Fabric	G4
Artwork Placement Form	G5
Warranty Information	G6
Order Form (Example)	G8
<u>Installation Instructions:</u>	
HeliaRise, MotoRise & Accessories	G9
BottomRise	G17
<u>Basic Motor Programming Instructions:</u>	
RTS	G23
Wired	G29
Digital	G30
Care & Maintenance	G34
Glossary of Shading Terms	G35

CONTACT US



CALL US AT (877) 294-3580

FAX US AT (516) 294-0444

CUSTOMER SERVICE HOURS:
MONDAY-FRIDAY
8:30 AM-5 PM EST

PICK UP/DELIVERY HOURS:
MONDAY-FRIDAY
8:30 AM-12 PM EST
1 PM-4:30 PM EST



WT SHADE NATIONAL HEADQUARTERS
77 SECOND AVENUE
GARDEN CITY PARK, NY 11040



EMAIL CONTACTS

REQUEST GENERAL INFO:	INFO@WTSHADE.COM
SPEAK TO A SALES REPRESENTATIVE:	SALES@WTSHADE.COM
SPEAK TO CUSTOMER SERVICE: CHECK THE STATUS OF AN EXISTING ORDER:	CUSTOMERSERVICE@WTSHADE.COM
REQUEST TECHNICAL SUPPORT:	TECHSUPPORT@WTSHADE.COM
REQUEST A QUOTE:	QUOTES@WTSHADE.COM
PLACE A NEW ORDER:	ORDERS@WTSHADE.COM
MAKE A BILLING INQUIRY: PAY A BILL: REQUEST AN ACCOUNT STATEMENT:	ACCOUNTING@WTSHADE.COM
REQUEST A SAMPLE:	SAMPLES@WTSHADE.COM



Find us on the web @
WTShade.com





ABOUT

{T} 877.294.3580 • {F} 516.294.0444 • {E} info@WTShade.com • 77 Second Avenue • Garden City Park, New York 11040



ABOUT OUR COMPANY

NATURAL LIGHT MADE RIGHT®

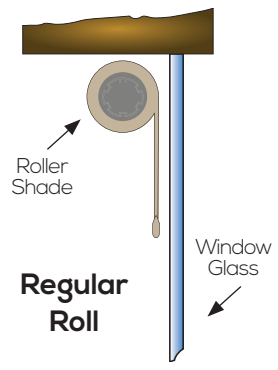


SHADING 101

We do shading everyday. If you aren't also steeped in shades all day, the terminology in the shading industry can be confusing and like a foreign language. In order to better educate our customers about what options are available and to make sure we are all using the same language while discussing projects, we have put together a few common shading terms and outlined their meanings, both here, and throughout our literature.

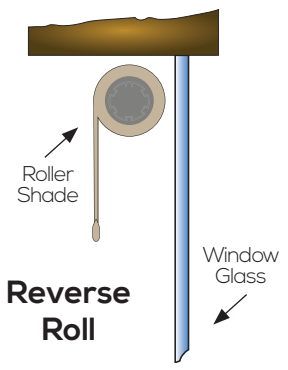
DRIVE SYSTEM: MANUAL & MOTORIZED

In shading terminology, the "Drive System" or just "Drive" refers to the device used to operate the shade. It can be manual (like a clutch), or it can be motorized. It can be on the right or left side of the shade. A **manual** window treatment is one that must be operated by hand. A **motorized** treatment is one that has a motor which is controlled by a remote control, wall switch, 3rd party automation or building management system.



ROLL DIRECTION

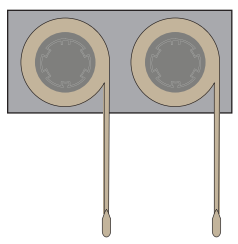
Roll Direction is used to indicate how the fabric rolls off of the tube of a roller shade. **Regular Roll** is used when the fabric rolls off the back of the tube (toward the glass). Regular Roll allows for the fabric to be closer to the window, and may block more light and heat from entering the space due to its proximity to the glass. **Reverse Roll** is when the fabric comes down from the top of the tube (away from the glass). Reverse Roll is a great solution for avoiding window hardware, or reducing light gaps between shades in corner conditions.



DOUBLE SHADES

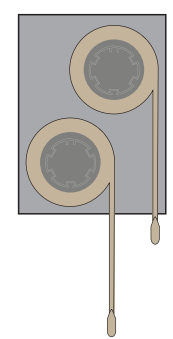
Versatility is key with shading. In certain areas, a combination of sheer shades and blackout shades may be desired. For this application, two single shades could be used, however a Double Shade generally allows for a much easier installation. Double Shades are two individual layers of shades that are hung in the same window area using specially designed brackets in which the spacing between the shades has been engineered to ensure that neither shade will interfere with the other's operation.

Double Shades come in two varieties:



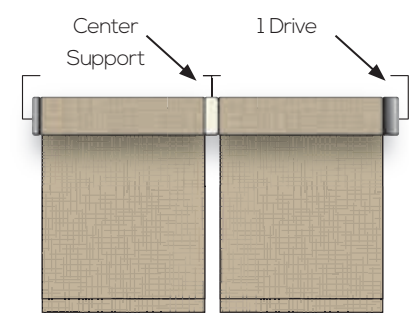
Tandem shades are hung one in front of the other and are generally wider than they are tall, allowing you to hang two shades without blocking as much window opening. We create a tandem shade by using a joiner plate to connect two single SoloMount brackets together.

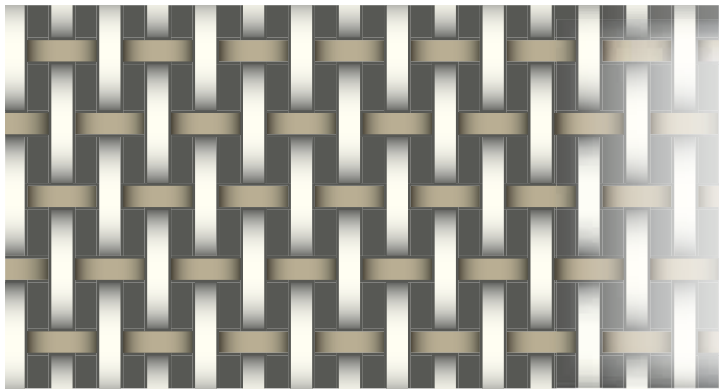
Piggyback shades are hung staggered, one on top of the other, on a single bracket and are generally taller than they are wide. This allows you to hang two shades as close to the window as possible.



MULTIBANDING

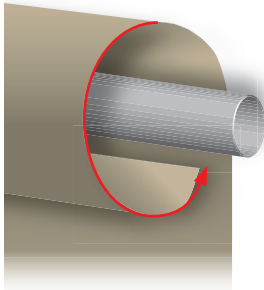
A **Band** is the portion of a shade that is made up of a fabric and chosen hembar. If a shade is made with one continuous piece of fabric, it is called a **Single Band**. If a shade is comprised of two pieces of fabric (or more) on separate tubes but *joined together with a specially designed center support and operated simultaneously by one drive*, it is called a **Multibanded** shade. This solution may be used when one continuous shade may not be possible due to the weight of the fabric, or as a convenient, cost-effective way to operate multiple shades at once.





OPENNESS FACTOR

Openness Factor, or just "**Openness**" refers to the percentage of open space on the plane of the fabric. Openness directly corresponds to the percentage of UV blockage by that fabric (ex. A 1% open fabric will block approximately 99% of the UV). Openness factor and color together affect the amount of daylight penetration through a fabric.

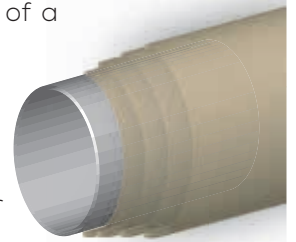


WRAP

The term "**Wrap**" refers to the extra fabric that gets wrapped around the tube during production. When the shade is fully unrolled the fabric wrap covers the tube so that it is not exposed. The wrap also helps secure the fabric to the tube.

TELESCOPING

In some cases the fabric of a roller shade may travel (or track) and roll up unevenly, causing the edges of the fabric on the tube to be misaligned. This behavior is called **Telescoping**. Typically, this is caused by crooked or uneven bracket installation.



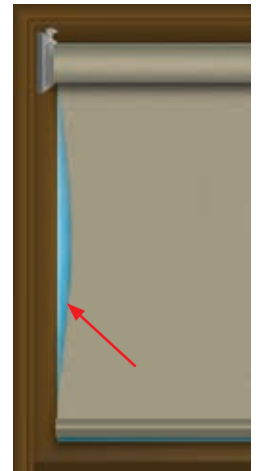
LIGHT GAP

When a shade is mounted properly, there will be a small gap around the edges of the fabric through which light will pass, known as the **Light Gap**. This necessary edge clearance may be larger or smaller depending on the selected system. Light gaps can be reduced significantly by extending

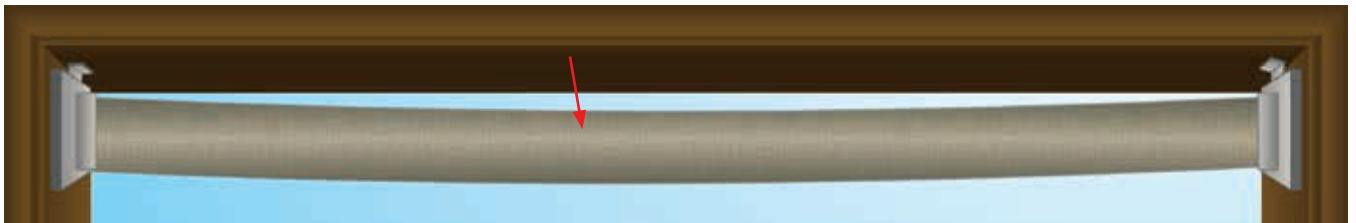
the shade past the edges of the window frame, or using a combination of side channel, sill channel, or hembars with brush insert trim.

HOURGLASSING

Sometimes the fabric in the center of a shade may curl inward slightly along the edges, causing it to look like an **hourglass**. This type of fabric behavior is common in longer shades and is most typical in railroaded applications. To combat this effect, add weights to the hembar and/or use battens.



DEFLECTION When a roller shade is installed, there are two brackets at each end of the shade to support the entire shade assembly. Due to the weight of the shade and the tube, the center of the shade may bow. This bowing effect is what we call **Deflection**. The wider and heavier the shade, the more the shade assembly will deflect. Too much deflection will create an uneven look in the shade fabric, therefore we would recommend a system with a larger tube diameter to reduce the deflection.



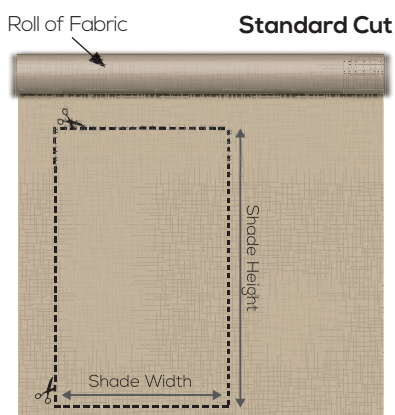
SHADING 101

DUPLEX SHADE

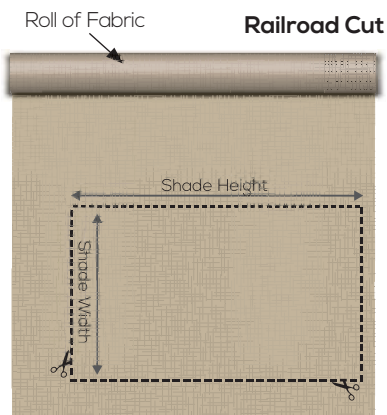
Often confused with a double shade, a **Duplex Shade** is a single shade with two different pieces of fabric on one tube, connected at the bottom with a specially designed hembar. Duplex shades are ideal solutions for areas that require extra sun protection, or want the dual functionality of one fabric with the look of another. Using two layers of material combines the light protection qualities of each fabric, providing more protection against heat gain and glare.

**MEASUREMENT TYPE**

When given a set of measurements, we may ask if they are IB or OB. This will indicate to us where the shade will be mounted. An **IB (Inside Bracket)** shade is usually mounted inside a window frame. An **OB (Outside Bracket)** shade is usually mounted outside the area needing to be covered. Depending on the application, additional deductions may be needed for the edge clearances. If a definitive fabric width is needed, measurements can be provided as **FAB** and the shade will be produced with the fabric at the given width, with the hardware extended beyond. This is a handy solution when accuracy with fabric width is a must.

**FABRIC DIRECTION (RAILROADING)**

In certain scenarios fabric may be turned sideways and cut to the width of the shade. This is known as "**Railroading**." This technique may be used out of necessity for shades that exceed the maximum width of the chosen fabric or for aesthetic appeal, as the fabric weave will appear different when turned on its side. Railroading may, at times, cause the fabric to hourglass and may require horizontal seams or battens.



SEAM A **seam** is where two pieces of fabric are joined together by heat sealing and may be necessary to produce the finished size of shade. When a fabric has been railroaded, it may be necessary to add fabric to the bottom of that panel to make the length. Selecting a fabric that is wide enough to cover all the windows on your project is the easiest way to avoid seams.

BATTEN A **batten** is a stiffener that is used to give more structural stability to the fabric across the width of a shade. A pocket is typically made by heat sealing two pieces of fabric together to form a pocket and the batten (a stiffening bar that can be made of various materials) is then slipped inside. Certain applications may require multiple battens.

COLOR COORDINATION GUIDE

We try to take the guess work out of ordering shades. For many of our shading systems, a number of components are available in White (-10) or Black (-90). We have predetermined the color coordination of these items based on the EcoFabrix fabric color selected. Components which are color coordinated will be indicated on the system data sheets. If you wish for a different combination of the available colors you must specify at the time your order is placed. If you have selected a fabric that is not EcoFabrix brand, please contact WT Shade for color coordination information.

If the fabric color is:	Then component color will be:	If the fabric color is:	Then component color will be:
-01 (Linen)	-10 (White)	-50 (Bronze)	-90 (Black)
-04 (Ivory)	-10 (White)	-52 (Smoke)	-90 (Black)
-05 (Sand)	-10 (White)	-59 (Bronze/Black)	-90 (Black)
-10 (White)	-10 (White)	-76 (Khaki)	-10 (White)
-12 (White/Sand)	-10 (White)	-80 (Grey)	-10 (White)
-18 (White/Grey)	-10 (White)	-82 (DK Grey)	-10 (White)
-21 (Haze)	-10 (White)	-83 (Grey/White)	-10 (White)
-24 (Stone)	-10 (White)	-84 (LT Grey)	-10 (White)
-28 (Sand/Grey)	-10 (White)	-89 (Grey/Black)	-90 (Black)
-39 (Camel)	-10 (White)	-90 (Black)	-90 (Black)
-41 (Champagne)	-10 (White)	-93 (Black/White)	-90 (Black)

Keep these color combinations in mind when you select the perfect aluminum finish color for all of your accessories!

AVAILABLE ALUMINUM FINISH COLOR OPTIONS*:



Aluminum Color Chips can be ordered at WTShade.com for accurate samples of these product colors.



All colors represented in print or on screen are for illustrative purposes only. Accurate color representation is not guaranteed. For actual colors, we recommend that a physical sample be ordered at WTShade.com.

*May not be available color options for all accessories. See individual Accessory information for color options for each product.

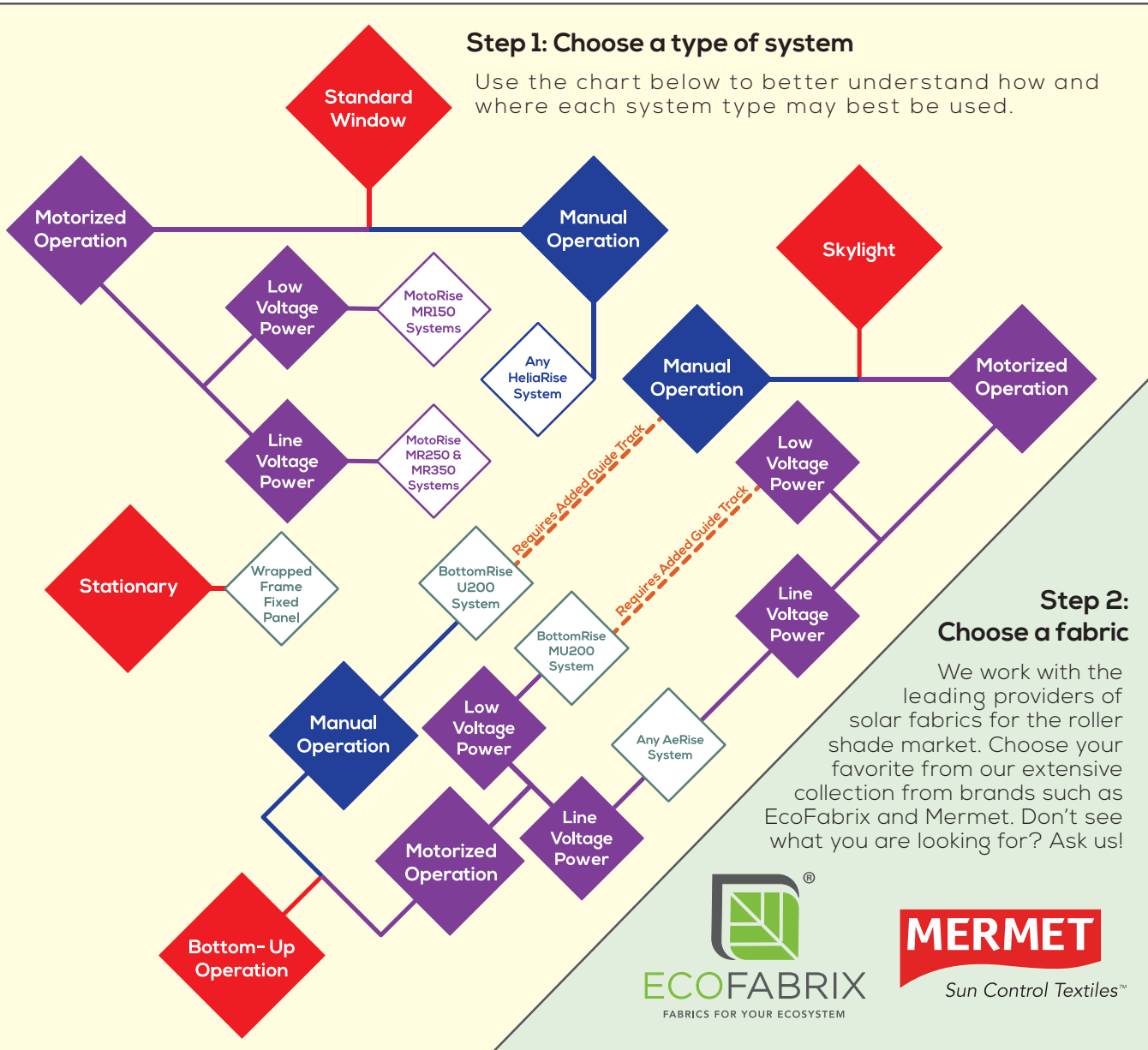


BUILDING A SHADE

At WT Shade, everything is customized specifically for your project, allowing you to create the perfect solution for every window you are covering. Select your hardware, select your fabric, select your communication type (if it's a motorized treatment), finish it off with a few accessories and leave the rest up to us!

Step 1: Choose a type of system

Use the chart below to better understand how and where each system type may best be used.



Step 2: Choose a fabric

We work with the leading providers of solar fabrics for the roller shade market. Choose your favorite from our extensive collection from brands such as EcoFabrix and Mermet. Don't see what you are looking for? Ask us!



Step 3: Choose a communication type

Motorized shades will require that you choose how you wish to communicate or control the shades. Our options include:



See the MotoRise section for more information about each of these communication types.

Step 4: Choose your accessories

Many times a shade alone is not enough to provide the right amount of solar control. Shading Accessories can be added to these base systems to create an even more customized solution. Choose from:

- Decorative Hembars
- Advanced Motor Controls
- Decorative Chains
- Light Blocking Accessories
- Shading Enclosures
- Guide Systems
- Additional structural accessories



Each shading system has a limit for the size and weight that the hardware can handle. For specific information about which EXACT system will be best for your next project, visit WTShade.com and try out the What Shade? Tool, or contact WT Shade.

WHERE TO BUY

WT Shade is a wholesale, to-the-trade manufacturer, meaning we supply our products to dealers and installers all around the country, instead of directly to the public. We have a network of product representatives in each state who can help direct you to the right place, be that a local dealer to help you acquire our products for your personal and professional projects, assisting with opening your account if you are in the trade, or by acting as project manager to assist with larger projects you may be designing or engineering. If you are still not sure, you can contact WT Shade customer service and we will be happy to help!

{T} 877.294.3580 • {F} 516.294.0444 • {E} info@WTShade.com • 77 Second Avenue • Garden City Park, New York 11040

New Orleans & Southeastern Louisiana

Bell & McCoy

3527 Ridgeland Drive
Metairie, LA 70002
(504) 284- 3442
www.bellandmccoy.com

Houston, Austin, & Southern Texas

Bell & McCoy

7210 North Loop East
Houston, TX 77028
(713) 223- 4146
www.bellandmccoy.com

North Carolina & South Carolina

Carolina Controls Group

265 Sloop Point Loop Rd
Hampstead, NC 28443
(910) 270- 3736
www.ccgnc.com

Kansas & Western Missouri

Convergence Partners, Inc.

103 East 18th Ave
North Kansas City, MO 64116
(816) 581- 6300
www.convergerep.com

Wisconsin & the Upper Peninsula of Michigan

ERI (Engineered Representation Inc)

1320 N Lake Street
Neenah, WI 54956
(920) 751- 3922
www.engineeredrepinc.com

Eastern Tennessee

FSA Lighting

618 Grassmere Park Rd #18
Nashville, TN 37211
(615) 242- 5050
www.fsalighting.com

Iowa, Nebraska & Western Illinois

Integrated Sales Inc.

527 Main Street
Van Meter, IA 50261
(515) 528- 7463
www.int-sales.com

Western Pennsylvania & West Virginia

LaFace & McGovern

5330 Enterprise Blvd
Bethel Park, PA 15102
(412) 854- 3200
www.laface-mcgovern.com

Minnesota, North Dakota, South Dakota & Western Wisconsin

MRL Company

641 Fairview Ave North
St. Paul, MN 55104
(612) 331- 2457
www.mrlcompany.com

Maryland, DC & Virginia

One Source Associates

911 Guilford Rd
Columbia, MD 21046
(301) 621- 8866
www.onesa.com

Northern Illinois & North West Indiana

PG Enlighten

500 Quail Ridge Drive
Westmont, IL 60559
(847) 228- 1199
www.pg-enlighten.com

Eastern Pennsylvania & New Jersey

Synergy Electrical Sales, Inc

95 Canal Rd
Fairless Hills, PA 19030
(215) 428- 1130
www.synergielectricalsales.com

New England

Yusen Associates

44 Sixth Rd.
Woburn, MA 01801
(781) 935- 0020
www.yusen.com

Don't see your area listed above?

Don't worry! We have someone in your area that can help you! Contact WT Shade today, or check our website for more information about our ever expanding sales force!



{T} 877.294.3580

HELARISE®

{F} 516.294.0444 • {E} info@WTShade.com • 77 Second Avenue • Garden City Park, New York 11040



HeliaRISE®

MANUAL SHADING SYSTEMS

NATURAL LIGHT MADE RIGHT®

HeliaRISE[®] MANUAL SHADING SYSTEMS GUIDE

New York 11040

HELIARISE[®]

WT
info@WTShade.com • 77 Second Avenue • Garden City Park, NY 11040 • (T) 877.294.3580 • (F) 516.294.0444

HeliaRISE MANUAL SHADING SYSTEMS	IF WIDTH IS UP TO ____ THEN LENGTH CAN BE UP TO ____ *	MULTI- BAND OPTION	MORE INFO ON PAGE
	60"	72"	84"	96"	108"	120"	132"	144"			
H100 SoloMount [®]	96"	96"	84"	66"							B4
H100 SLIM	96"	96"	84"	66"							B6
H100 PIGGYBACK SoloMount	78"	78"	78"	66"							B8
H200 SoloMount	162"	162"	162"	150"	102"	102"	90"		♦		B10
H200 SLIM	162"	162"	162"	150"	102"	102"	90"		♦		B12
H200 PIGGYBACK SoloMount	162"	162"	162"	150"	102"	102"	90"		♦		B14
H300 SoloMount	180"	180"	180"	180"	180"	180"	162"	132"	♦		B16
H300 SLIM	180"	180"	180"	180"	180"	180"	162"	132"	♦		B18

HeliaRISE MANUAL SHADING SYSTEMS	FASCIA SIZE	MOUNTING POSITIONS			EDGE CLEARANCES			ROLL DIRECTION		MORE INFO ON PAGE
		CEILING	WALL	JAMB	DRIVE	IDLE	TOTAL	REG	REV	
H100 SoloMount	3"	♦	♦	♦	1 1/16"	1 1/16"	1 3/8"	♦	♦	B4
H100 SLIM	N/A	♦	♦	♦	S	S	S	♦	♦	B6
H100 PIGGYBACK SoloMount	4 1/2"	♦	♦	♦	E	E	E	♦		B8
H200 SoloMount	3 1/2"	♦	♦	♦	T	T	T	♦	♦	B10
H200 SLIM	N/A	♦	♦	♦	S	S	S	♦	♦	B12
H200 PIGGYBACK SoloMount	7"	♦	♦	♦	S	S	S	♦		B14
H300 SoloMount	4 1/2"	♦	♦	♦	L	L	L	♦	♦	B16
H300 SLIM	N/A	♦	♦	♦	A	A	A	♦	♦	B18

- ♦ All HeliaRISE Systems may be Drive Right or Drive Left.
- ♦ All HeliaRISE Systems offer multiple options and accessories, including various Hembar styles and Drive Chain colors.

- ♦ All HeliaRISE Systems are available in your choice of shade fabrics.
- ♦ All HeliaRISE Systems ship complete with appropriate warning labels and Child Safety Tension Device attached to the Drive Chains. See *HeliaRISE Child Safety* for more details.

GET TO KNOW THE WT SHADE FAMILY OF BRANDS!

HeliaRISE[®]
MANUAL
SHADING SYSTEMS

MotoRISE[®]
MOTORIZED
SHADING SYSTEMS

BottomRISE[™]
BOTTOM-UP
SHADING SYSTEMS

HeRISE[™]
SKYLIGHT
SHADING SYSTEMS



*NOTE ABOUT MEASUREMENTS: Width and Length may vary depending on the selected shade fabric. The measurements given above are based on Ecofabrix[®] 253. These measurements are for guideline purposes only and in no way guarantee that a shade with any other fabric can be made to these dimensions.

HeliaRISE® CHILD SAFETY


{T} 877.294.3580

HELIARISE®

{F} 516.294.0444 • {E} info@WTShade.com • 77 Second Avenue • Garden City Park, New York 11040

Making sure our products are safe is a number one priority at WT Shade. That is why, in accordance with the safety standard outlined by the ANSI and WCMA for corded window products, every HeliaRISE Shading System that leaves the WT Shade facility will come with a **Child Safety Tension Device** and all the necessary **Safety Tags** and **Safety Labels** attached, alerting the end user to the potential danger that loose cords may present to children.

- ◆ The **Child Safety Tension Device** keeps the Drive Chain taught so that it cannot be pulled away from the wall and create a hazardous loop.
- ◆ Easy to install, each **Child Safety Tension Device** comes with two screws which, when installed correctly, will align the two openings and allow for the Drive Chain to pass through.
- ◆ When not installed correctly, the **Child Safety Tension Device** renders the shade inoperable, ensuring proper installation of the device.
- ◆ **Child Safety Tension Device** is available in White (-10) and Black (-90) and will be color coordinated based on the fabric color.**
- ◆ **Safety Tags** appear on the Drive Chain and **Safety Labels** are attached to the Hembar. These **Safety Tags** and **Safety Labels** should not be removed.
- ◆ **Safety Tags** and **Safety Labels** are printed in both English and Spanish.
- ◆ For more information or to obtain a copy of the most recent Safety Standard, please visit: www.WCMANet.org.



WARNING

Bead Chain can STRANGLE Your Child.

- Always keep bead chains out of children's reach.
- Move cribs, and other furniture away from bead chains.
- Children can climb furniture to get to bead chain.

- Attach tension device to wall or floor.
- Fasteners provided with tension device may not be appropriate for all mounting surfaces.
- Use appropriate anchors for the mounting surface conditions.

WT SHADE
NATIONAL LIGHT MADE RIGHT

Questions? Contact us at:
(877) 294-3580
or visit WTSHADE.COM

ANSI/WCMA A100.1-2018

NEW Safety Tag Design for 2019

Part #: CHD10-XX*
Child Safety Tension Device

Part #: TCS-WT
Safety Tag

Part #: LCS-WT
Safety Label

*Replace "XX" with desired color number when ordering.

**See *Color Coordination Guide* for more information.

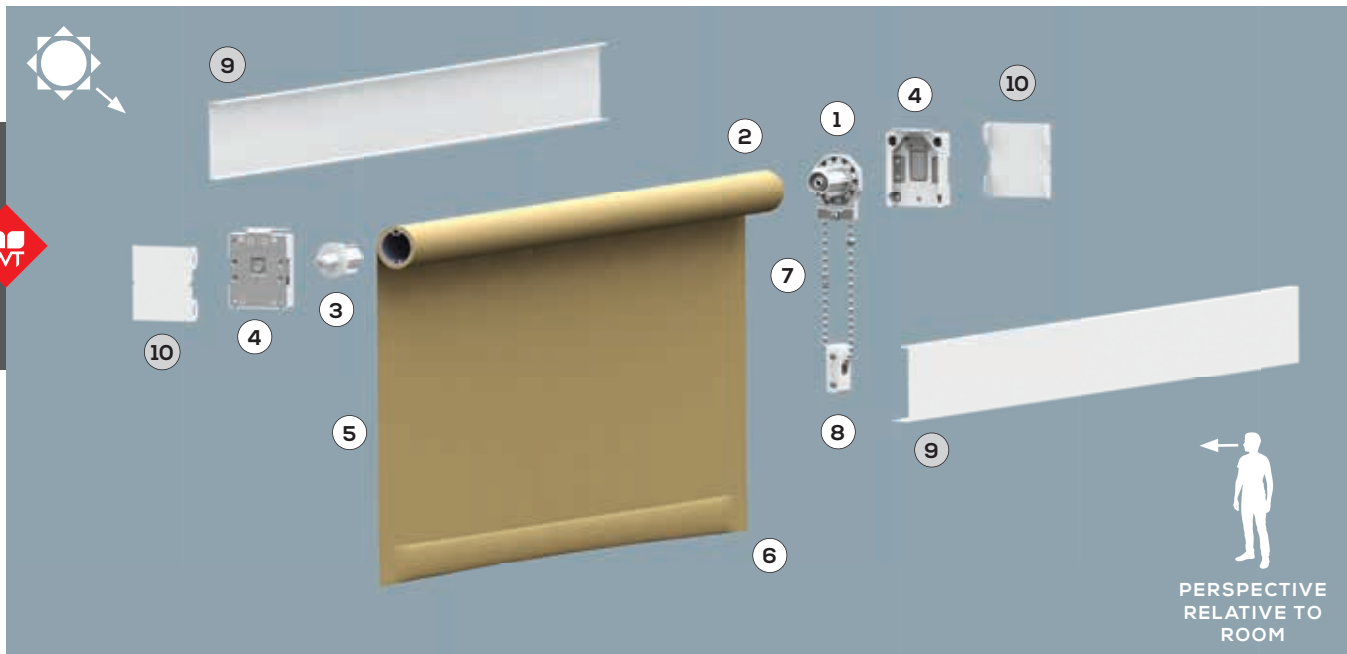
HeliaRISE® H100 SoloMount® SYSTEM

MANUAL ROLLER SHADE • SMALL PROFILE • FASCIA COMPATIBLE • SMALL-MEDIUM SIZE SHADES

New York 11040

HELIARISE®

{T} 877.294.3580 • {F} 516.294.0444 • {E} info@WTShade.com • 77 Second Avenue • Garden City Park,



The above system is shown Drive Right, Regular Roll with Front Fascia and Rear Fascia. Brackets shown in Ceiling Mount position.

PERSPECTIVE
RELATIVE TO
ROOM

ADDITIONAL INFORMATION

MODEL:
H100SM-1.25

STANDARD COMPONENTS		
①	CLUTCH	Available in White (-10) as shown, or Black (-90) and will be color coordinated based on fabric color.**
②	ROLLER TUBE	1.25" Diameter. Content: Aluminum Alloy.
③	IDLER	Retractable. Available in White (-10) as shown, or Black (-90) and will be color coordinated based on fabric color.**
④	SoloMount BRACKETS	Ships preset for Ceiling/Jamb or Wall Mounting for Drive Right or Drive Left. Available in White (-10) as shown, or Black (-90) and will be color coordinated based on fabric color. **
⑤	FABRIC	See fabric selection for all available options.
⑥	SEALED HEMBAR	Alternative options available including external, round or heavy duty styles. May require alternative hembar for some accessory compatibility.
⑦	STAINLESS STEEL DRIVE CHAIN	Includes matching Bead Stops. Alternative materials and colors available.
⑧	CHILD SAFETY TENSION DEVICE	Available in White (-10) as shown, or Black (-90) and will be color coordinated based on fabric color.**
OPTIONAL		
⑨	3" FASCIA	Available for Front & Rear application for Regular or Reverse Roll. Available in White (-10) as shown, Ivory (-04), Silver (-20), Bronze (-50) or Black (-90).
⑩	END CAPS	Available in White (-10) as shown, Ivory (-04), Silver (-20), Bronze (-50) or Black (-90).
N/A	WALL MOUNT ANGLE	(Not Shown) Required for Wall Mount applications with Rear Fascia. Size: 3" x 3" x 1"
N/A	TANDEM JOINER PLATE	(Not Shown) Use to join two SoloMount Brackets together to create a tandem style system.

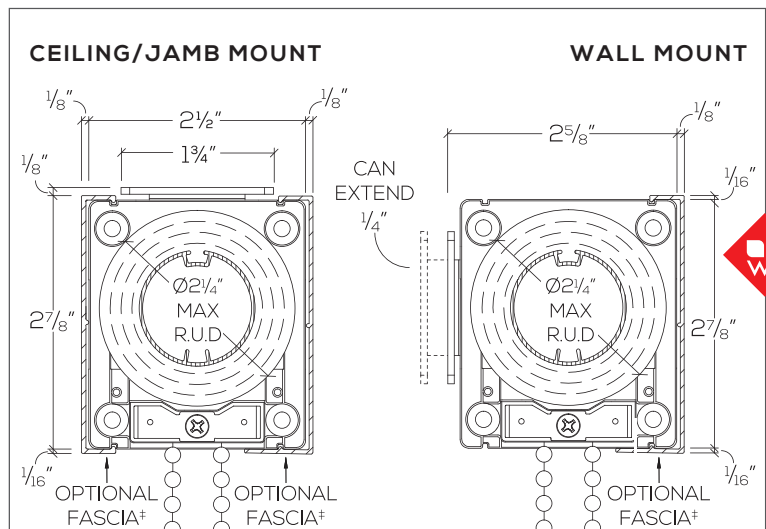


**See Color Coordination Guide for more information.

SYSTEM FEATURES

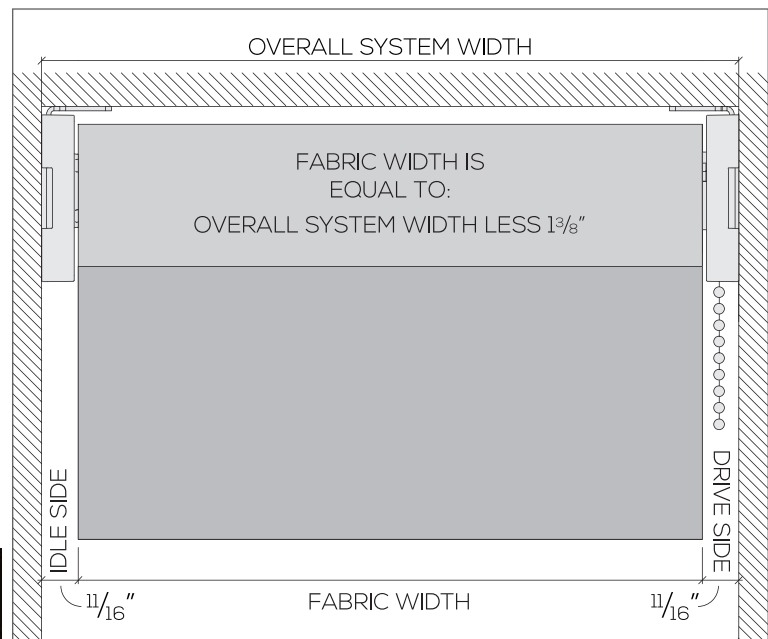
- ◆ Featuring our proprietary, all-in-one **SoloMount Brackets**: Ceiling, Wall or Jamb mount capable allowing easy, on-the-fly adjustments. Mounting flange is extendible up to 5/16" for Wall Mount applications.
- ◆ Available with Front Fascia, Rear Fascia or Both! Regular and Reverse Roll available. Clutch may be Drive Right or Drive Left.
- ◆ **SoloMount Brackets** are designed to accept fascia at the time of order or at any point in the future.
- ◆ HeliaRise Clutches feature an integrated stainless steel reinforced Chain Diverter and Set-Screw for maximum stability and durability.
- ◆ Metal to metal contact points on both the Drive and Idle sides of the shade ensure a sturdy and reliable connection to the brackets.
- ◆ Some HeliaRise components are available in White (-10) and Black (-90). WT Shade will color coordinate based on the selected fabric color. Refer to the *Color Coordination Guide* for more information.
- ◆ HeliaRise Shading Systems offer multiple options and accessories, including various Hembar styles and Drive Chain colors.
- ◆ All WT Shade roller shades are available in the *exclusive* line of sustainable solar protection fabrics by EcoFabrix®. To view all available fabrics, visit EcoFabrix.com.
- ◆ Construction Documents for this system and others available at WTShade.com.

SECTION VIEW



‡ Front and Rear Fascia is able to be used in Ceiling or Jamb Mount applications. Wall Mount applications with Rear Fascia require the use of Wall Mount Angles (Not Shown).

EDGE CLEARANCES



SYSTEM CAPABILITIES

WIDTH	60"	72"	84"	96"
LENGTH	96"	96"	84"	66"

Width and Length may vary depending on the selected shade fabric. The measurements given above are based on EcoFabrix 253. These measurements are for guideline purposes only and in no way guarantee that a shade with any other fabric can be made to these dimensions.

WARNING

ADVERTENCIA

Bead Chain can STRANGLE Your Child.

To prevent strangulation, purchase cordless products or products with inaccessible cords.

ANSI/WCMA A100.1-2018

La cuerda ciega de la ventana puede ESTRANGULAR su niño.

Para evitar el estrangulamiento, compre alternativas inalámbricas o productos con cables inaccesibles.

THE SoloMount BRACKET®
One bracket... So many possibilities.



HeliaRISE®
MANUAL SHADING SYSTEMS



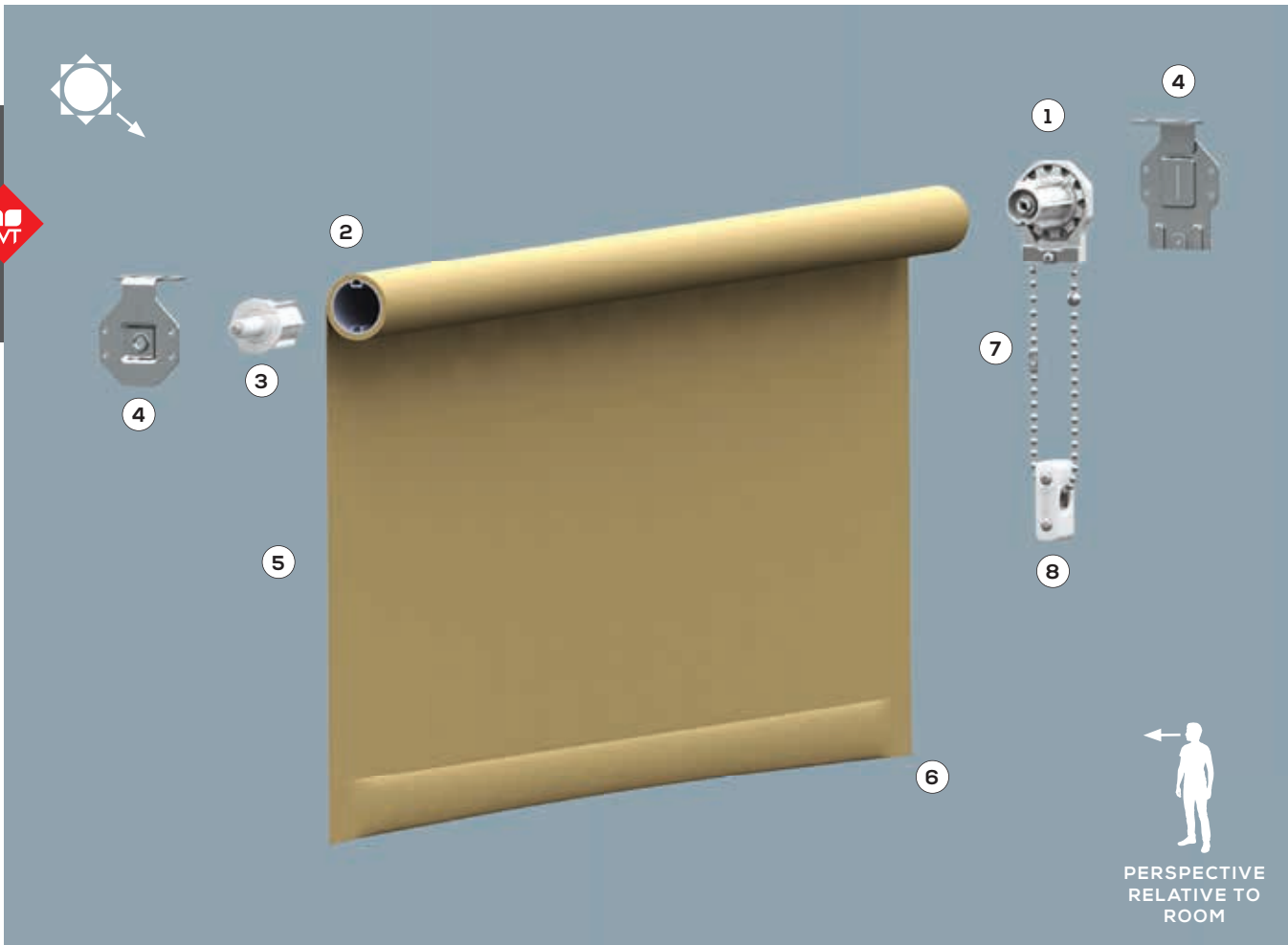
HeliaRISE® H100 SLIM SYSTEM

MANUAL ROLLER SHADE • FOR NARROW SPACES • SMALL-MEDIUM SIZE SHADES

New York 11040

HELIARISE®

{T} 877.294.3580 • {F} 516.294.0444 • {E} info@WTShade.com • 77 Second Avenue • Garden City Park,



The above system is shown Drive Right, Regular Roll. Brackets shown in Ceiling Mount position.

MODEL:
H100SL-1.25

ADDITIONAL INFORMATION

STANDARD COMPONENTS		
①	CLUTCH	Available in White (-10) as shown, or Black (-90) and will be color coordinated based on fabric color.**
②	ROLLER TUBE	1.25" Diameter. Content: Aluminum Alloy.
③	IDLER	Retractable. Available in White (-10) as shown, or Black (-90) and will be color coordinated based on fabric color.**
④	SLIM BRACKETS	Can be Ceiling/Jamb or Wall Mounted. Drive Right or Drive Left. Standard finish is Zinc Plated (-49) as shown.
⑤	FABRIC	See fabric selection for all available options.
⑥	SEALED HEMBAR	Alternative options available including external, round or heavy duty styles. May require alternative hembar for some accessory compatibility.
⑦	STAINLESS STEEL DRIVE CHAIN	Includes matching Bead Stops. Alternative materials and colors available.
⑧	CHILD SAFETY TENSION DEVICE	Available in White (-10) as shown, or Black (-90) and will be color coordinated based on fabric color.**

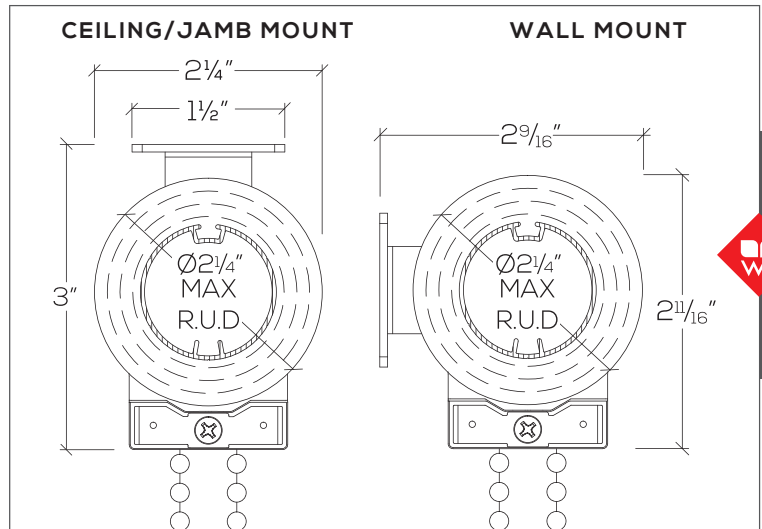


**See Color Coordination Guide for more information.

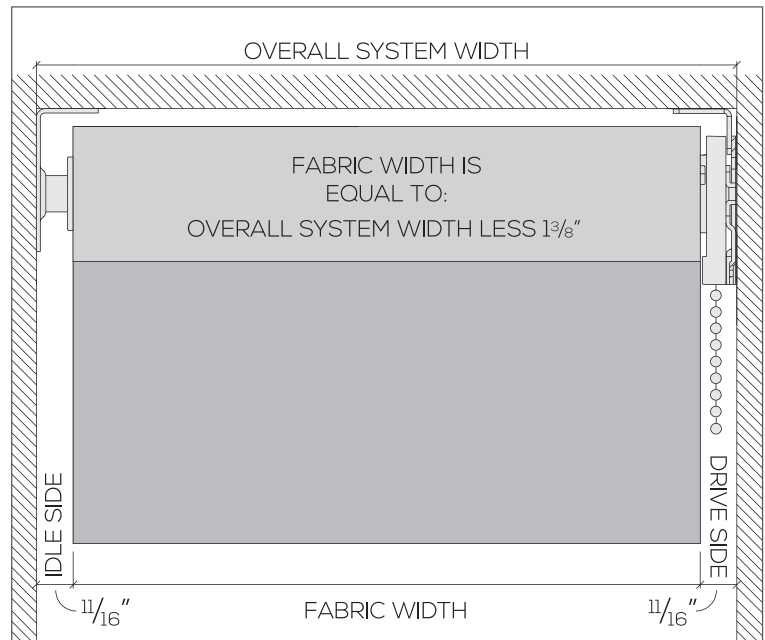
SYSTEM FEATURES

- ◆ Our smallest profile Shading System!
- ◆ Accommodating Ceiling, Wall or Jamb mounting with easy, on-the-fly adjustments.
- ◆ Regular and Reverse Roll available. Clutch may be Drive Right or Drive Left.
- ◆ HeliaRise Clutches feature an integrated stainless steel reinforced Chain Diverter and Set-Screw for maximum stability and durability.
- ◆ Metal to metal contact points on both the Drive and Idle sides of the shade ensure a sturdy and reliable connection to the brackets.
- ◆ Some HeliaRise components are available in White (-10) and Black (-90). WT Shade will color coordinate based on the selected fabric color. Refer to the *Color Coordination Guide* for more information.
- ◆ HeliaRise Shading Systems offer multiple options and accessories, including various Hembar styles and Drive Chain colors.
- ◆ All WT Shade roller shades are available in the *exclusive* line of sustainable solar protection fabrics by EcoFabrix®. To view all available fabrics, visit EcoFabrix.com.
- ◆ Construction Documents for this system and others available at WTShade.com.

SECTION VIEW



EDGE CLEARANCES



SYSTEM CAPABILITIES

WIDTH	60"	72"	84"	96"
LENGTH	96"	96"	84"	66"

Width and Length may vary depending on the selected shade fabric. The measurements given above are based on EcoFabrix 253. These measurements are for guideline purposes only and in no way guarantee that a shade with any other fabric can be made to these dimensions.

⚠️ WARNING

⚠️ ADVERTENCIA

Bead Chain can STRANGLE Your Child.

To prevent strangulation, purchase cordless products or products with inaccessible cords.

ANSI/WCMA A1001-2018

La cuerda ciega de la ventana puede ESTRANGULAR su niño.

Para evitar el estrangulamiento, compre alternativas incolorables o productos con cables inaccesibles.



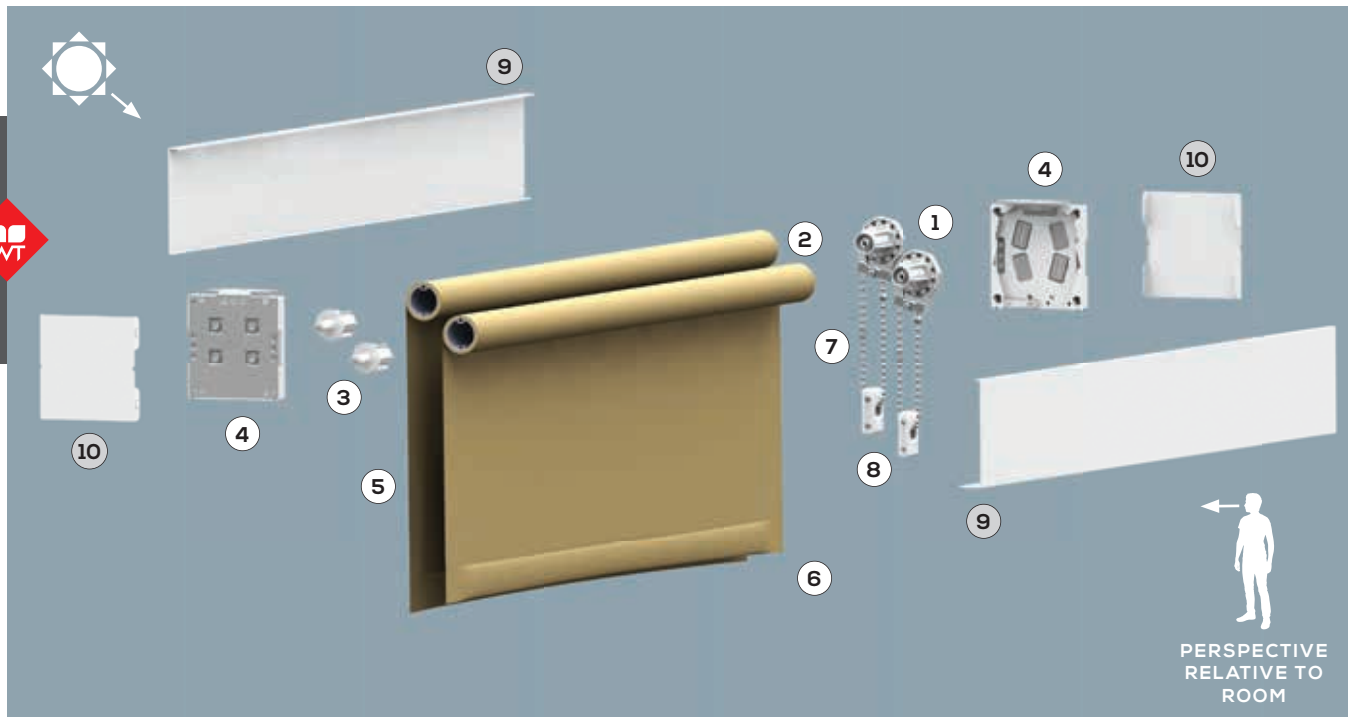
HeliaRISE® H100 PIGGYBACK SoloMOUNT® SYSTEM

MANUAL DOUBLE ROLLER SHADE • SMALL PROFILE • FASCIA COMPATIBLE • SMALL-MEDIUM SIZE SHADES

New York 11040

HELIARISE®

{T} 877.294.3580 • {F} 516.294.0444 • {E} info@WTShade.com • 77 Second Avenue • Garden City Park,



The above system is shown Drive Right, Regular Roll with Front Fascia and Rear Fascia. Brackets shown in Ceiling Mount position.

MODEL:
H100PB-1.25

ADDITIONAL INFORMATION

STANDARD COMPONENTS		
①	CLUTCH	Available in White (-10) as shown, or Black (-90) and will be color coordinated based on fabric color.**
②	ROLLER TUBE	1.25" Diameter. Content: Aluminum Alloy.
③	IDLER	Retractable. Available in White (-10) as shown, or Black (-90) and will be color coordinated based on fabric color.**
④	PIGGYBACK SoloMOUNT BRACKETS	Ships preset for Ceiling/Jamb or Wall Mounting for Drive Right or Drive Left. Available in White (-10) as shown, or Black (-90) and will be color coordinated based on fabric color. **
⑤	FABRIC	See fabric selection for all available options.
⑥	SEALED HEMBAR	Alternative options available including external, round or heavy duty styles. May require alternative hembar for some accessory compatibility.
⑦	STAINLESS STEEL DRIVE CHAIN	Includes matching Bead Stops. Alternative materials and colors available.
⑧	CHILD SAFETY TENSION DEVICE	Available in White (-10) as shown, or Black (-90) and will be color coordinated based on fabric color.**
OPTIONAL		
⑨	4.5" FASCIA	Available for Front & Rear application. Available in White (-10) as shown, Ivory (-04), Silver (-20), Bronze (-50) or Black (-90).
⑩	END CAPS	Available in White (-10) as shown, Ivory (-04), Silver (-20), Bronze (-50) or Black (-90).
N/A	WALL MOUNT ANGLE	(Not Shown) Required for Wall Mount applications with Rear Fascia. Size: 4¾" x 4¾" x 1¼"



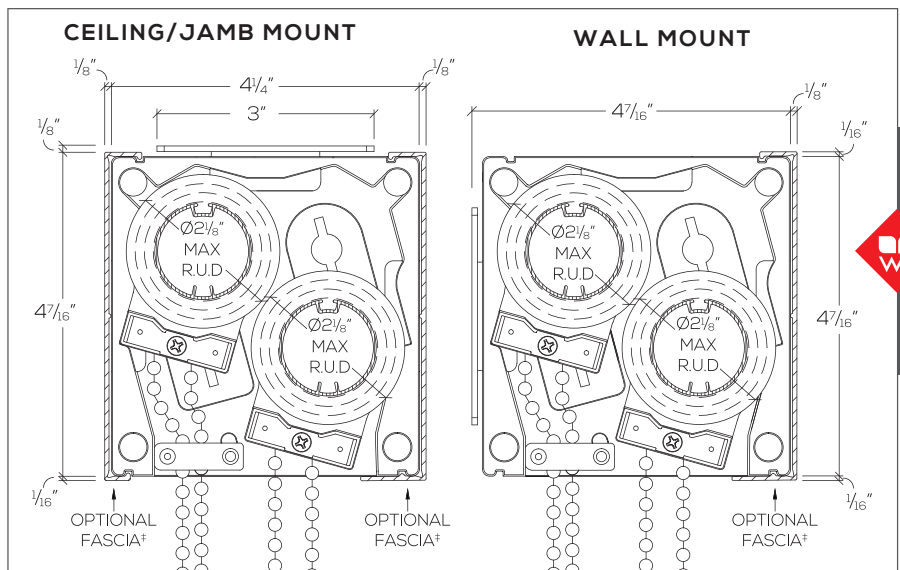
**See Color Coordination Guide for more information.



SYSTEM FEATURES

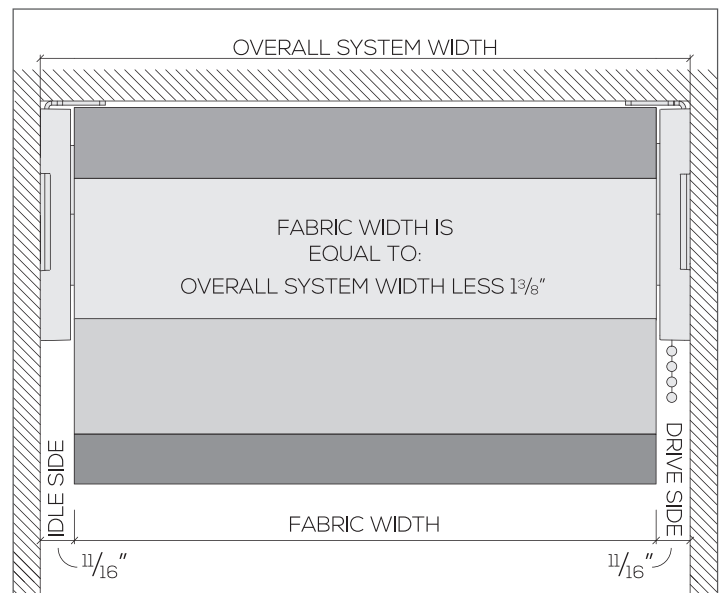
- ◆ **Piggyback** shades feature two independently operated shades hung staggered, one on top of the other, on a single bracket.
- ◆ Featuring our proprietary, all-in-one **SoloMount Brackets**: Ceiling, Wall or Jamb mount capable allowing easy, on-the-fly adjustments.
- ◆ Available with Front Fascia, Rear Fascia or Both! *Regular Roll shades only.* Clutch may be Drive Right or Drive Left.
- ◆ **SoloMount Brackets** are designed to accept fascia at the time of order or at any point in the future.
- ◆ Heliarise Clutches feature an integrated stainless steel reinforced Chain Diverter and Set-Screw for maximum stability and durability.
- ◆ Metal to metal contact points on both the Drive and Idle sides of the shade ensure a sturdy and reliable connection to the brackets.
- ◆ Some Heliarise components are available in White (-10) and Black (-90). WT Shade will color coordinate based on the selected fabric color. Refer to the *Color Coordination Guide* for more information.
- ◆ Heliarise Shading Systems offer multiple options and accessories, including various Hembar styles and Drive Chain colors.
- ◆ All WT Shade roller shades are available in the *exclusive* line of sustainable solar protection fabrics by EcoFabrix®. To view all available fabrics, visit EcoFabrix.com.
- ◆ Construction Documents for this system and others available at WTShade.com.

SECTION VIEW



‡ Front and Rear Fascia is able to be used in Ceiling or Jamb Mount applications. Wall Mount applications with Rear Fascia require the use of Wall Mount Angles (Not Shown).

EDGE CLEARANCES



SYSTEM CAPABILITIES

WIDTH	60"	72"	84"	96"
LENGTH	78"	78"	78"	66"

Width and Length may vary depending on the selected shade fabric. The measurements given above are based on EcoFabrix 253. These measurements are for guideline purposes only and in no way guarantee that a shade with any other fabric can be made to these dimensions.

WARNING

ADVERTENCIA

Bead Chain can STRANGLE Your Child.

To prevent strangulation, purchase cordless products or products with inaccessible cords.

ANSI/WCMA A1001-2018

La cuerda ciega de la ventana puede **ESTRANGULAR** su niño.

Para evitar el estrangulamiento, compre alternativas inalámbricas o productos con cables inaccesibles.

THE SoloMount BRACKET®
One bracket... So many possibilities.



Heliarise®
MANUAL SHADING SYSTEMS



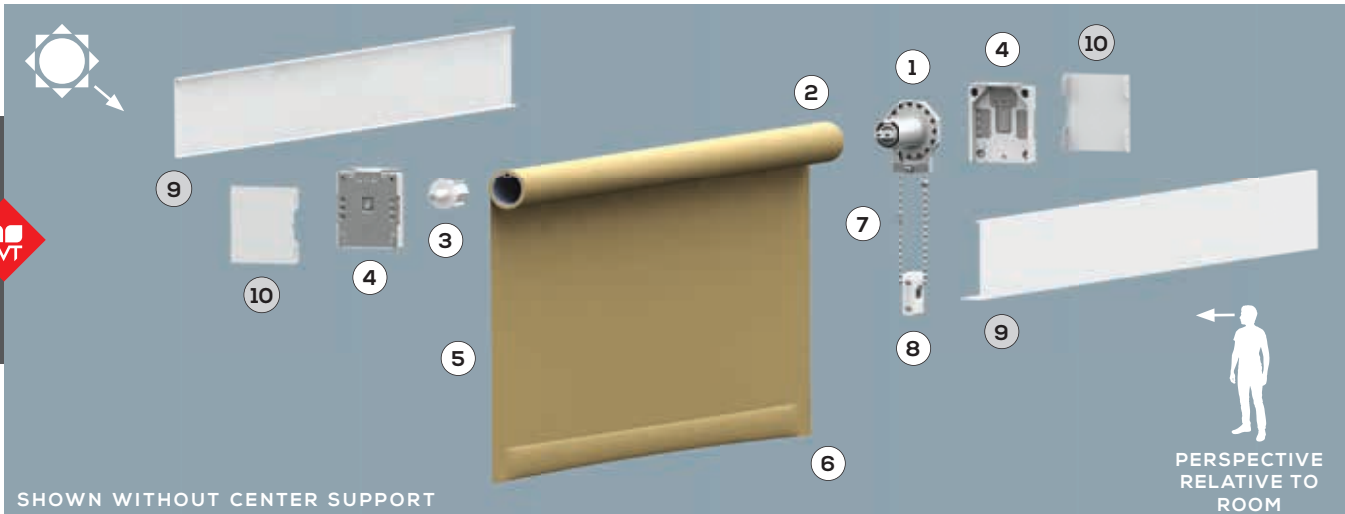
HeliaRISE® H200 SoloMount® SYSTEM

MANUAL ROLLER SHADE • FASCIA COMPATIBLE • SMALL-LARGE SIZE SHADES

New York 11040

HELIARISE®

{T} 877.294.3580 • {F} 516.294.0444 • {E} info@WTShade.com • 77 Second Avenue • Garden City Park,



SHOWN WITHOUT CENTER SUPPORT

PERSPECTIVE RELATIVE TO ROOM

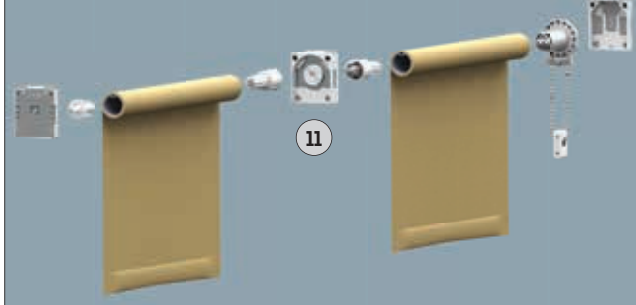
The above system is shown Model H200SM-1.5 Drive Right, Regular Roll with Front Fascia and Rear Fascia. Brackets shown in Ceiling Mount position.

MODELS:
H200SM-1.5
H200SM-2.0

ADDITIONAL INFORMATION

STANDARD COMPONENTS		
①	CLUTCH	Available in White (-10) as shown, or Black (-90) and will be color coordinated based on fabric color.**
②	ROLLER TUBE	May contain 1.5" or 2" Diameter tube. Content: Aluminum Alloy.
③	IDLER	Retractable. Available in White (-10) as shown, or Black (-90) and will be color coordinated based on fabric color.** Systems with SAM will have HD Idler.
④	SoloMount BRACKETS	Ships preset for Ceiling/Jamb or Wall Mounting for Drive Right or Drive Left. Available in White (-10) as shown, or Black (-90) and will be color coordinated based on fabric color. **
⑤	FABRIC	See fabric selection for all available options.
⑥	SEALED HEMBAR	Alternative options available including external, round or heavy duty styles. May require alternative hembar for some accessory compatibility.
⑦	STAINLESS STEEL DRIVE CHAIN	Includes matching Bead Stops. Alternative materials and colors available.
⑧	CHILD SAFETY TENSION DEVICE	Available in White (-10) as shown, or Black (-90) and will be color coordinated based on fabric color.**
OPTIONAL		
⑨	3.5" FASCIA	Available for Front & Rear application for Regular or Reverse Roll. Available in White (-10) as shown, Ivory (-04), Silver (-20), Bronze (-50) or Black (-90).
⑩	END CAPS	Available in White (-10) as shown, Ivory (-04), Silver (-20), Bronze (-50) or Black (-90).
⑪	CENTER SUPPORT INCLUDES CENTER SUPPORT BRACKET, TANGS AND FORKS.	Multibanded option available up to 3 bands. Can be Ceiling or Wall Mounted. Drive Right or Drive Left. Available in White (-10) as shown, or Black (-90) and will be color coordinated based on fabric color.**

SHOWN WITH CENTER SUPPORT



OPTIONAL

N/A	SAM SPRING ASSIST MECHANISM MIN SHADE WIDTH: 37½"	(Not Shown) May be added to any system to decrease the pulling force necessary to operate the shade. Drive Right or Drive Left.
N/A	WALL MOUNT ANGLE	(Not Shown) Required for Wall Mount applications with Rear Fascia. Size: 3½" x 3½" x 1¼"
N/A	TANDEM JOINER PLATE	(Not Shown) Use to join two SoloMount Brackets together to create a tandem style system.

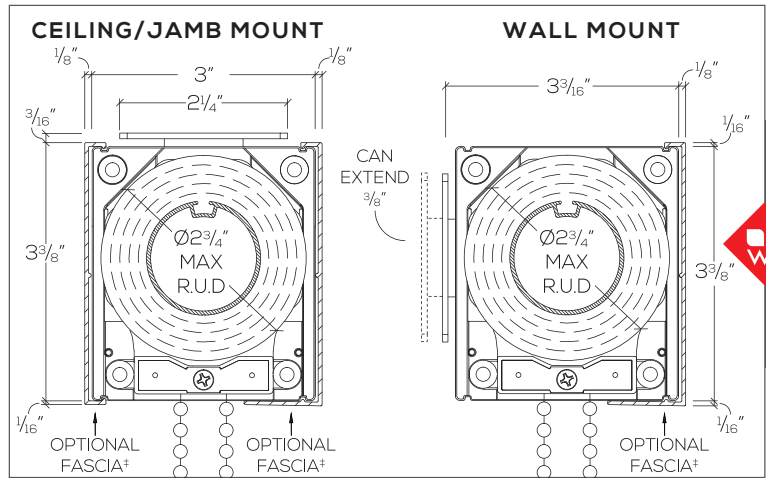


**See Color Coordination Guide for more information.

SYSTEM FEATURES

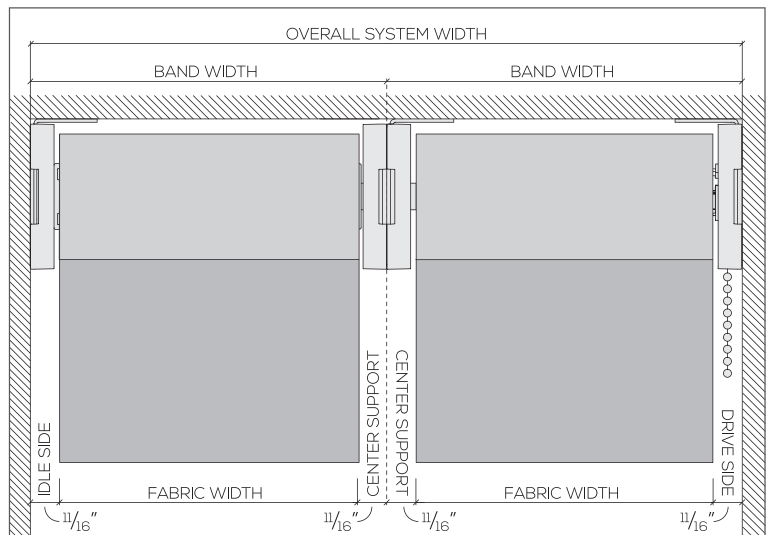
- ◆ Featuring our proprietary, all-in-one **SoloMount Brackets**: Ceiling, Wall or Jamb mount capable allowing easy, on-the-fly adjustments. Mounting flange is extendible up to 3/8" for Wall Mount applications.
- ◆ Available with Front Fascia, Rear Fascia or Both! Regular and Reverse Roll available. Clutch may be Drive Right or Drive Left.
- ◆ **SoloMount Brackets** are designed to accept fascia at the time of order or at any point in the future.
- ◆ HeliaRise Clutches feature an integrated stainless steel reinforced Chain Diverter and Set-Screw for maximum stability and durability.
- ◆ Metal to metal contact points on both the Drive and Idle sides of the shade ensure a sturdy and reliable connection to the brackets.
- ◆ Some HeliaRise components are available in White (-10) and Black (-90). WT Shade will color coordinate based on the selected fabric color. Refer to the *Color Coordination Guide* for more information.
- ◆ HeliaRise Shading Systems offer multiple options and accessories, including various Hembar styles and Drive Chain colors.
- ◆ All WT Shade roller shades are available in the *exclusive* line of sustainable solar protection fabrics by EcoFabrix®. To view all available fabrics, visit EcoFabrix.com.
- ◆ Construction Documents for this system and others available at WTShade.com.

SECTION VIEW



‡ Front and Rear Fascia is able to be used in Ceiling or Jamb Mount applications. Wall Mount applications with Rear Fascia require the use of Wall Mount Angles (Not Shown).

EDGE CLEARANCES



SYSTEM CAPABILITIES

WIDTH	60"	72"	84"	96"	108"	120"	132"
LENGTH	162"	162"	162"	150"	102"	102"	90"

Width and Length may vary depending on the selected shade fabric. The measurements given above are based on EcoFabrix 253. These measurements are for guideline purposes only and in no way guarantee that a shade with any other fabric can be made to these dimensions.

WARNING

ADVERTENCIA

Bead Chain can STRANGLE Your Child.

To prevent strangulation, purchase cordless products or products with inaccessible cords.

ANSI/WCMA A1001-2018

La cuerda ciega de la ventana puede ESTRANGULAR su niño.

Para evitar el estrangulamiento, compre alternativas inalámbricas o productos con cables inaccesibles.

THE SoloMount BRACKET®
One bracket... So many possibilities.



HeliaRISE®
MANUAL SHADING SYSTEMS



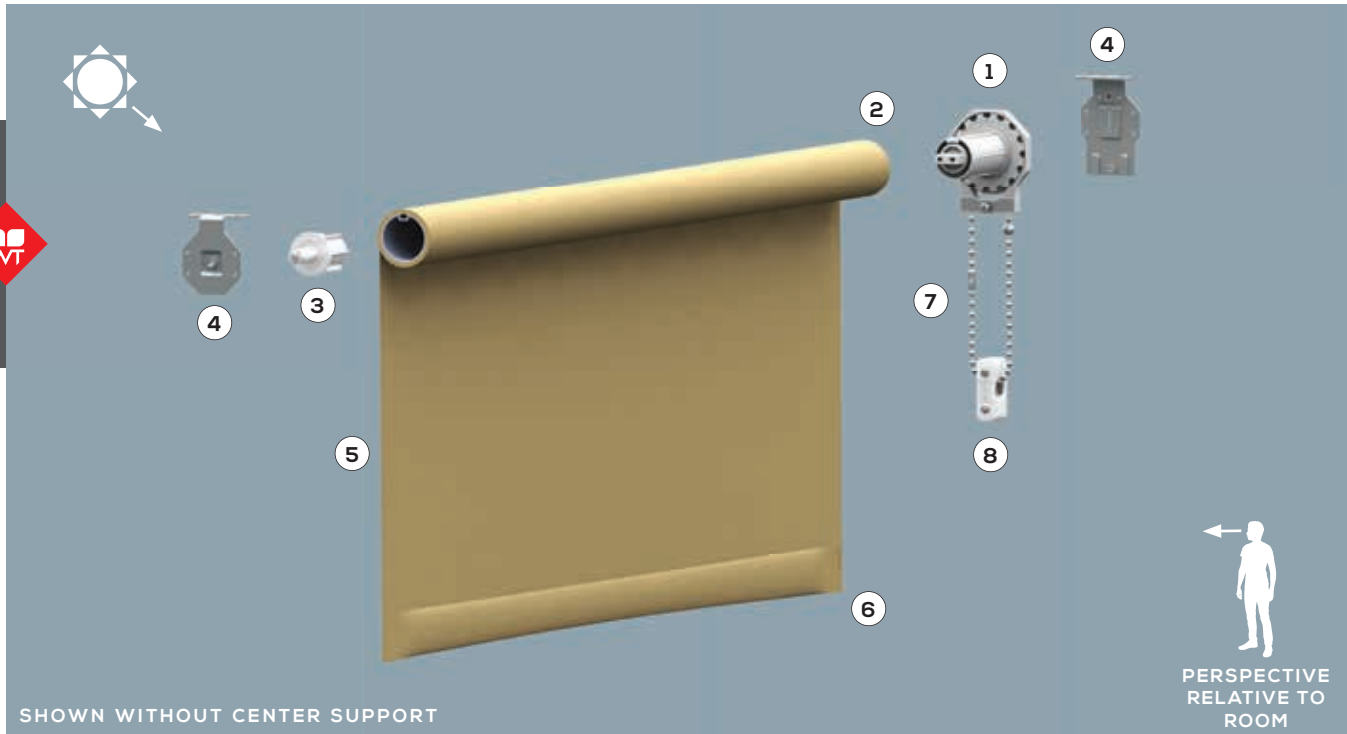
HeliaRISE® H200 SLIM SYSTEM

MANUAL ROLLER SHADE • FOR NARROW SPACES • SMALL-LARGE SIZE SHADES

New York 11040

HELIARISE®

{T} 877.294.3580 • {F} 516.294.0444 • {E} info@WTShade.com • 77 Second Avenue • Garden City Park,



SHOWN WITHOUT CENTER SUPPORT

PERSPECTIVE
RELATIVE TO
ROOM

The above system is shown Model H200SL-1.5 Drive Right, Regular Roll.
Brackets shown in Ceiling Mount position.

ADDITIONAL INFORMATION

MODEL:
H200SL-1.5
H200SL-2.0

STANDARD COMPONENTS		
1	CLUTCH	Available in White (-10) as shown, or Black (-90) and will be color coordinated based on fabric color.**
2	ROLLER TUBE	May contain 1.5" or 2" Diameter tube. Content: Aluminum Alloy.
3	IDLER	Retractable. Available in White (-10) as shown, or Black (-90) and will be color coordinated based on fabric color.** Systems with SAM will have HD Idler.
4	SLIM BRACKETS	Can be Ceiling/Jamb or Wall Mounted. Drive Right or Drive Left. Standard finish is Zinc Plated (-49) as shown.
5	FABRIC	See fabric selection for all available options.
6	SEALED HEMBAR	Alternative options available including external, round or heavy duty styles. May require alternative hembar for some accessory compatibility.
7	STAINLESS STEEL DRIVE CHAIN	Includes matching Bead Stops. Alternative materials and colors available.
8	CHILD SAFETY TENSION DEVICE	Available in White (-10) as shown, or Black (-90) and will be color coordinated based on fabric color.**

SHOWN WITH CENTER SUPPORT

OPTIONAL		
9	CENTER SUPPORT INCLUDES CENTER SUPPORT BRACKET, TANGS AND FORKS.	Multibanded option available up to 3 bands. Can be Ceiling or Wall Mounted. Drive Right or Drive Left. Standard finish is Zinc Plated (-49) as shown.
N/A	SAM SPRING ASSIST MECHANISM MIN SHADE WIDTH: 37½"	(Not Shown) May be added to any system to decrease the pulling force necessary to operate the shade. Drive Right or Drive Left.



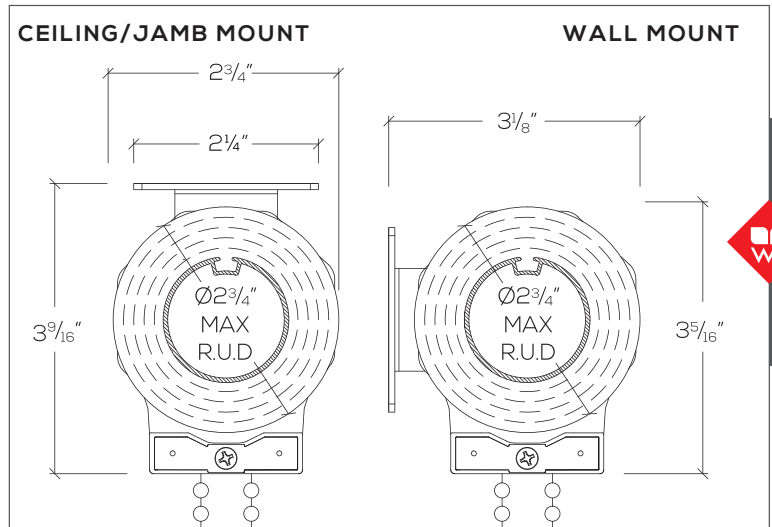
**See Color Coordination Guide for more information.



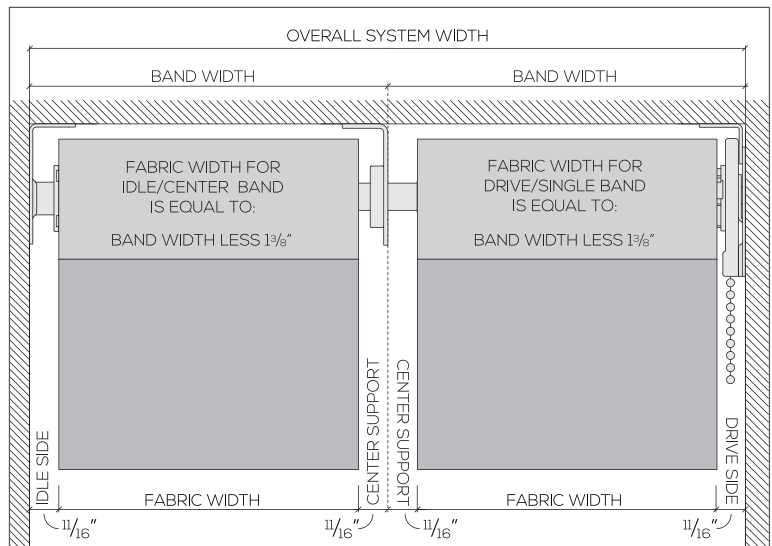
SYSTEM FEATURES

- ◆ Accommodating Ceiling, Wall or Jamb mounting with easy, on-the-fly adjustments.
- ◆ Regular and Reverse Roll available. Clutch may be Drive Right or Drive Left.
- ◆ HeliaRise Clutches feature an integrated stainless steel reinforced Chain Diverter and Set-Screw for maximum stability and durability.
- ◆ Metal to metal contact points on both the Drive and Idle sides of the shade ensure a sturdy and reliable connection to the brackets.
- ◆ Some HeliaRise components are available in White (-10) and Black (-90). WT Shade will color coordinate based on the selected fabric color. Refer to the *Color Coordination Guide* for more information.
- ◆ HeliaRise Shading Systems offer multiple options and accessories, including various Hembar styles and Drive Chain colors.
- ◆ All WT Shade roller shades are available in the *exclusive* line of sustainable solar protection fabrics by EcoFabrix®. To view all available fabrics, visit EcoFabrix.com.
- ◆ Construction Documents for this system and others available at WTShade.com.

SECTION VIEW



EDGE CLEARANCES



⚠ WARNING

⚠ ADVERTENCIA

Bead Chain can STRANGLE Your Child.

To prevent strangulation, purchase cordless products or products with inaccessible cords.

ANSI/WCMA A1001-2018

La cuerda ciega de la ventana puede ESTRANGULAR su niño.

Para evitar el estrangulamiento, compre alternativas inalámbricas o productos con cables inaccesibles.

SYSTEM CAPABILITIES

WIDTH	60"	72"	84"	96"	108"	120"	132"
LENGTH	162"	162"	162"	150"	102"	102"	90"

Width and Length may vary depending on the selected shade fabric. The measurements given above are based on EcoFabrix 253. These measurements are for guideline purposes only and in no way guarantee that a shade with any other fabric can be made to these dimensions.



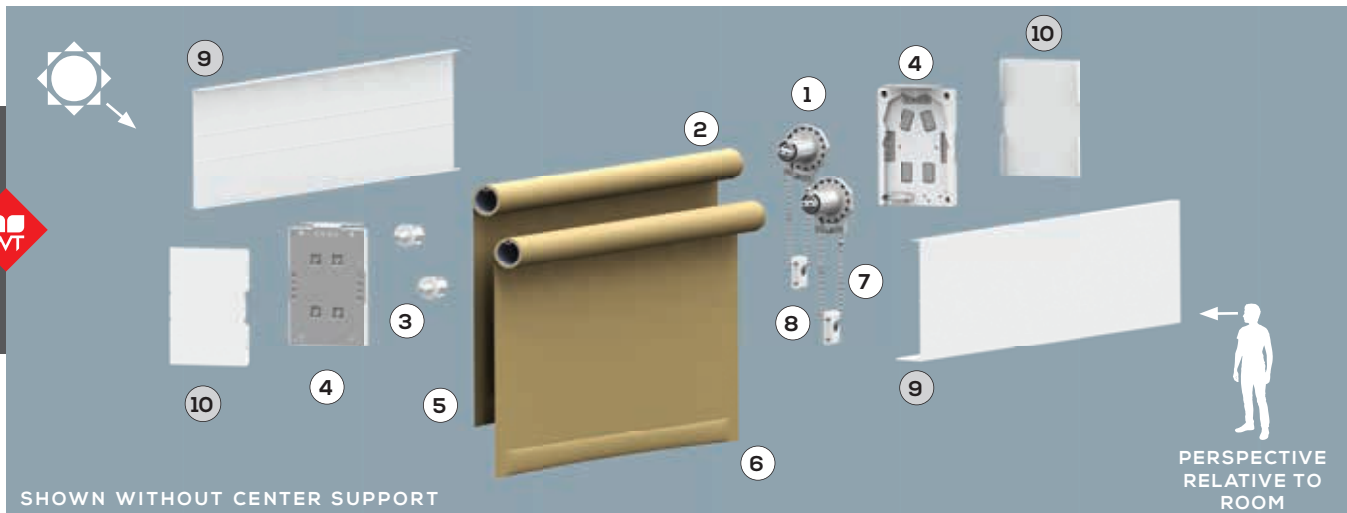
HeliaRISE® H200 PIGGYBACK SoloMOUNT® SYSTEM

MANUAL DOUBLE ROLLER SHADE • FASCIA COMPATIBLE • SMALL-LARGE SIZE SHADES

New York 11040

HELIARISE®

{T} 877.294.3580 • {F} 516.294.0444 • {E} info@WTShade.com • 77 Second Avenue • Garden City Park,



SHOWN WITHOUT CENTER SUPPORT

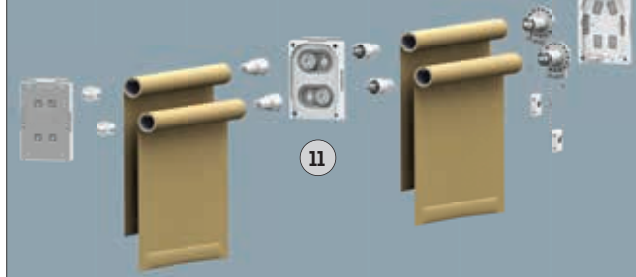
The above system is shown Model H200PB-1.5 Drive Right, Regular Roll with Front Fascia and Rear Fascia. Brackets shown in Ceiling Mount position.

**MODEL:
H200PB-1.5
H200PB-2.0**

ADDITIONAL INFORMATION

STANDARD COMPONENTS		
①	CLUTCH	Available in White (-10) as shown, or Black (-90) and will be color coordinated based on fabric color.**
②	ROLLER TUBE	May contain 1.5" or 2" Diameter tube. Content: Aluminum Alloy.
③	IDLER	Retractable. Available in White (-10) as shown, or Black (-90) and will be color coordinated based on fabric color.** Systems with SAM will have HD Idler.
④	PIGGYBACK SoloMOUNT BRACKETS	Ships preset for Ceiling/Jamb or Wall Mounting for Drive Right or Drive Left. Available in White (-10) as shown, or Black (-90) and will be color coordinated based on fabric color. **
⑤	FABRIC	See fabric selection for all available options.
⑥	SEALED HEMBAR	Alternative options available including external, round or heavy duty styles. May require alternative hembar for some accessory compatibility.
⑦	STAINLESS STEEL DRIVE CHAIN	Includes matching Bead Stops. Alternative materials and colors available.
⑧	CHILD SAFETY TENSION DEVICE	Available in White (-10) as shown, or Black (-90) and will be color coordinated based on fabric color.**
OPTIONAL		
⑨	7" FASCIA	Available for Front & Rear application. Available in White (-10) as shown, Ivory (-04), Silver (-20), Bronze (-50) or Black (-90). Silver (-20), Bronze (-50) or Black (-90).
⑩	END CAPS	Available in White (-10) as shown, Ivory (-04), Silver (-20), Bronze (-50) or Black (-90).
⑪	CENTER SUPPORT INCLUDES CENTER SUPPORT BRACKET, TANGS AND FORKS.	Multibanded option available up to 3 bands. Can be Ceiling or Wall Mounted. Drive Right or Drive Left. Available in White (-10) as shown, or Black (-90) and will be color coordinated based on fabric color.**

SHOWN WITH CENTER SUPPORT



OPTIONAL		
N/A	SAM SPRING ASSIST MECHANISM MIN SHADE WIDTH: 37½"	(Not Shown) May be added to any system to decrease the pulling force necessary to operate the shade. Drive Right or Drive Left.
N/A	WALL MOUNT ANGLE	(Not Shown) Required for Wall Mount applications with Rear Fascia. Size: 6½" x 6½" x 1½"



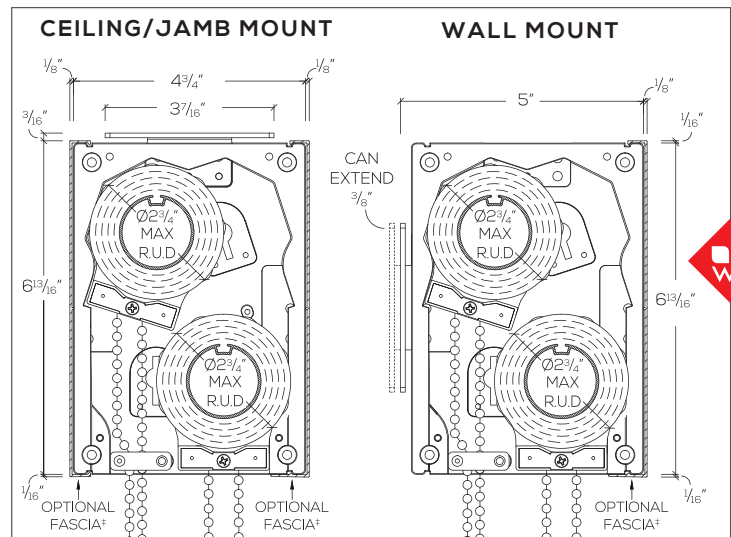
**See Color Coordination Guide for more information.



SYSTEM FEATURES

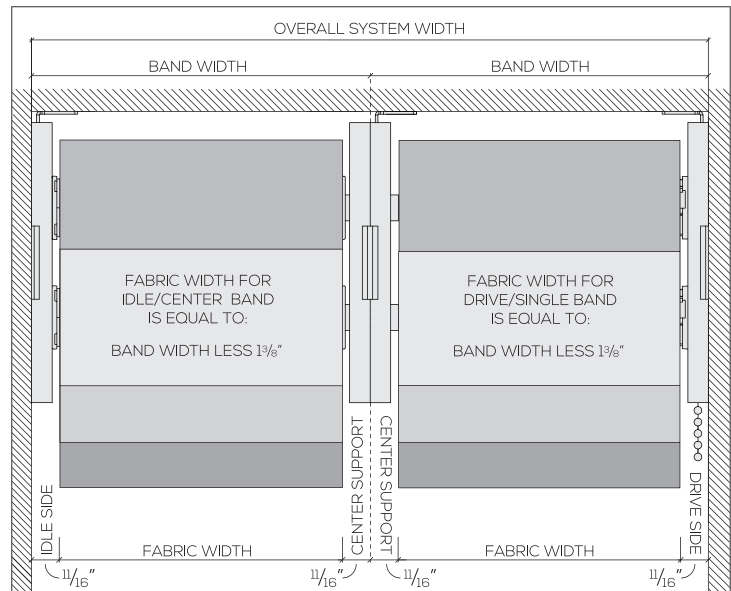
- ◆ **Piggyback** shades feature two independently operated shades hung staggered, one on top of the other, on a single bracket.
- ◆ Featuring our proprietary, all-in-one **SoloMount Brackets**: Ceiling, Wall or Jamb mount capable allowing easy, on-the-fly adjustments. Mounting flange is extendible up to 3/8" for Wall Mount applications.
- ◆ Available with Front Fascia, Rear Fascia or Both! *Regular Roll shades only.* Clutch may be Drive Right or Drive Left.
- ◆ **SoloMount Brackets** are designed to accept fascia at the time of order or at any point in the future.
- ◆ HeliaRise Clutches feature an integrated stainless steel reinforced Chain Diverter and Set-Screw for maximum stability and durability.
- ◆ Metal to metal contact points on both the Drive and Idle sides of the shade ensure a sturdy and reliable connection to the brackets.
- ◆ Some HeliaRise components are available in White (-10) and Black (-90). WT Shade will color coordinate based on the selected fabric color. Refer to the *Color Coordination Guide* for more information.
- ◆ HeliaRise Shading Systems offer multiple options and accessories, including various Hembar styles and Drive Chain colors.
- ◆ All WT Shade roller shades are available in the *exclusive* line of sustainable solar protection fabrics by EcoFabrix®. To view all available fabrics, visit EcoFabrix.com.
- ◆ Construction Documents for this system and others available at WTShade.com.

SECTION VIEW



‡ Front and Rear Fascia is able to be used in Ceiling or Jamb Mount applications. Wall Mount applications with Rear Fascia require the use of Wall Mount Angles (Not Shown).

EDGE CLEARANCES



SYSTEM CAPABILITIES

WIDTH	60"	72"	84"	96"	108"	120"	132"
LENGTH	162"	162"	162"	150"	102"	102"	90"

Width and Length may vary depending on the selected shade fabric. The measurements given above are based on EcoFabrix 253. These measurements are for guideline purposes only and in no way guarantee that a shade with any other fabric can be made to these dimensions.

WARNING

ADVERTENCIA

Bead Chain can STRANGLE Your Child.

To prevent strangulation, purchase cordless products or products with inaccessible cords.

ANSI/WCMA A100.1-2018

La cuerda ciega de la ventana puede **ESTRANGULAR** su niño.

Para evitar el estrangulamiento, compre alternativas inalámbricas o productos con cables inaccesibles.

THE SoloMount BRACKET®
One bracket... So many possibilities.



HeliaRise®
MANUAL SHADING SYSTEMS



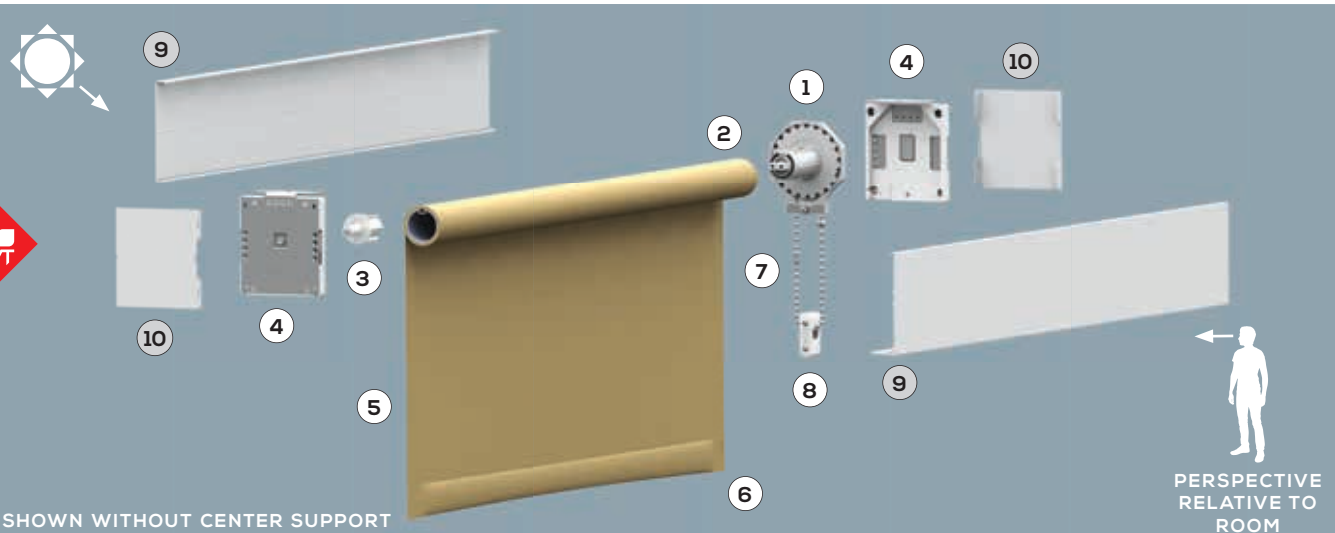
HeliaRISE® H300 SoloMOUNT® SYSTEM

MANUAL ROLLER SHADE • FASCIA COMPATIBLE • MEDIUM-LARGE SIZE SHADES

New York 11040

HELIARISE®

{T} 877.294.3580 • {F} 516.294.0444 • {E} info@WTShade.com • 77 Second Avenue • Garden City Park,



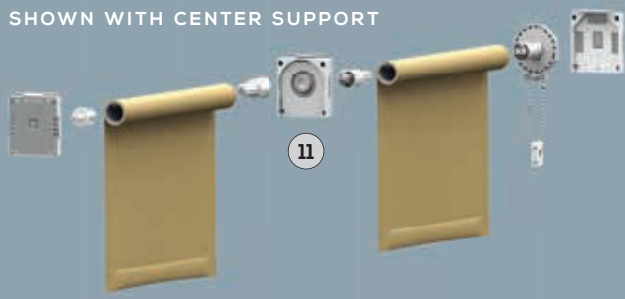
The above system is shown Model H300SM-1.5 Drive Right, Regular Roll with Front Fascia and Rear Fascia. Brackets shown in Ceiling Mount position.

MODELS:
H300SM-1.5
H300SM-2.0
H300SM-2.38

ADDITIONAL INFORMATION

STANDARD COMPONENTS		
1	CLUTCH	Available in White (-10) as shown, or Black (-90) and will be color coordinated based on fabric color.**
2	ROLLER TUBE	May contain 1.5", 2" or 2.38" Diameter tube. Content: Aluminum Alloy.
3	IDLER	Retractable. Available in White (-10) as shown, or Black (-90) and will be color coordinated based on fabric color.** Systems with SAM will have HD Idler.
4	SoloMOUNT BRACKETS	Ships preset for Ceiling/Jamb or Wall Mounting for Drive Right or Drive Left. Available in White (-10) as shown, or Black (-90) and will be color coordinated based on fabric color. **
5	FABRIC	See fabric selection for all available options.
6	SEALED HEMBAR	Alternative options available including external, round or heavy duty styles. May require alternative hembar for some accessory compatibility.
7	STAINLESS STEEL DRIVE CHAIN	Includes matching Bead Stops. Alternative materials and colors available.
8	CHILD SAFETY TENSION DEVICE	Available in White (-10) as shown, or Black (-90) and will be color coordinated based on fabric color.**
OPTIONAL		
9	4.5" FASCIA	Available for Front & Rear application for Regular or Reverse Roll. Available in White (-10) as shown, Ivory (-04), Silver (-20), Bronze (-50) or Black (-90).
10	END CAPS	Available in White (-10) as shown, Ivory (-04), Silver (-20), Bronze (-50) or Black (-90).
11	CENTER SUPPORT INCLUDES CENTER SUPPORT BRACKET, TANGS AND FORKS.	Multibanded option available up to 3 bands. Can be Ceiling or Wall Mounted. Drive Right or Drive Left. Available in White (-10) as shown, or Black (-90) and will be color coordinated based on fabric color.**

SHOWN WITH CENTER SUPPORT



OPTIONAL		
N/A	SAM SPRING ASSIST MECHANISM MIN SHADE WIDTH: 37½"	(Not Shown) May be added to any system to decrease the pulling force necessary to operate the shade. Drive Right or Drive Left.
N/A	WALL MOUNT ANGLE	(Not Shown) Required for Wall Mount applications with Rear Fascia. Size: 4¾" x 4¾" x 1¼"



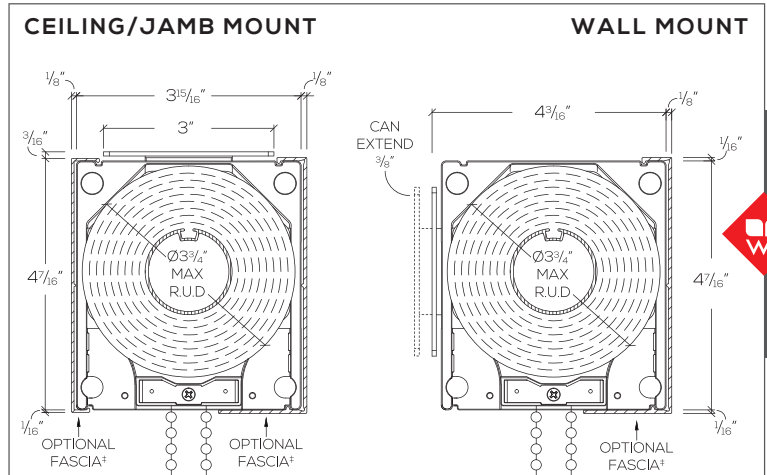
**See Color Coordination Guide for more information.



SYSTEM FEATURES

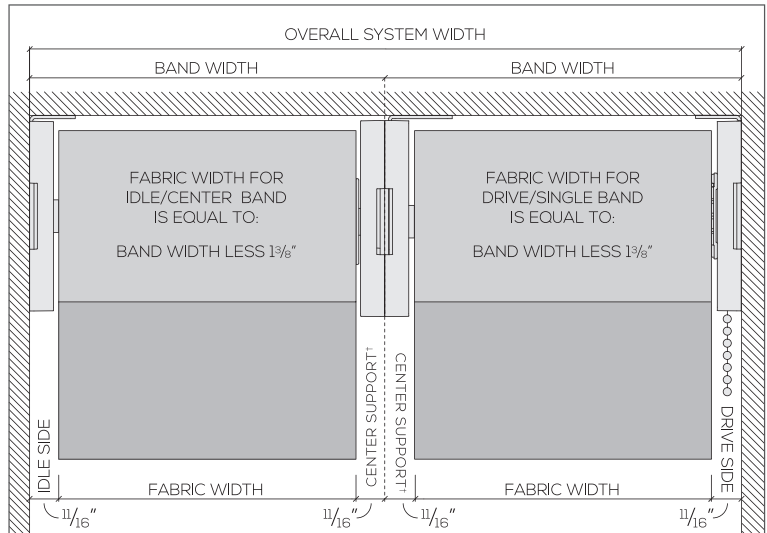
- ◆ Featuring our proprietary, all-in-one **SoloMount Brackets**: Ceiling, Wall or Jamb mount capable allowing easy, on-the-fly adjustments. Mounting flange is extendible up to 3/8" for Wall Mount applications.
- ◆ Available with Front Fascia, Rear Fascia or Both! Regular and Reverse Roll available. Clutch may be Drive Right or Drive Left.
- ◆ **SoloMount Brackets** are designed to accept fascia at the time of order or at any point in the future.
- ◆ HeliaRise Clutches feature an integrated stainless steel reinforced Chain Diverter and Set-Screw for maximum stability and durability.
- ◆ Metal to metal contact points on both the Drive and Idle sides of the shade ensure a sturdy and reliable connection to the brackets.
- ◆ Some HeliaRise components are available in White (-10) and Black (-90). WT Shade will color coordinate based on the selected fabric color. Refer to the *Color Coordination Guide* for more information.
- ◆ HeliaRise Shading Systems offer multiple options and accessories, including various Hembar styles and Drive Chain colors.
- ◆ All WT Shade roller shades are available in the *exclusive* line of sustainable solar protection fabrics by EcoFabrix®. To view all available fabrics, visit EcoFabrix.com.
- ◆ Construction Documents for this system and others available at WTShade.com.

SECTION VIEW



‡ Front and Rear Fascia is able to be used in Ceiling or Jamb Mount applications. Wall Mount applications with Rear Fascia require the use of Wall Mount Angles (Not Shown).

EDGE CLEARANCES



† For systems containing the RS23W-99 tube, add 5/16" to each center support deduction.

SYSTEM CAPABILITIES

WIDTH	60"	72"	84"	96"	108"	120"	132"	144"
LENGTH	180"	180"	180"	180"	180"	180"	162"	132"

Width and Length may vary depending on the selected shade fabric. The measurements given above are based on EcoFabrix 253. These measurements are for guideline purposes only and in no way guarantee that a shade with any other fabric can be made to these dimensions.

⚠ **WARNING**

⚠ **ADVERTENCIA**

Bead Chain can STRANGLE Your Child.

To prevent strangulation, purchase cordless products or products with inaccessible cords.

ANSI/WCMA A100.1-2018

La cuerda ciega de la ventana puede ESTRANGULAR su niño.

Para evitar el estrangulamiento, compre alternativas inalámbricas o productos con cables inaccesibles.

THE SoloMount BRACKET®
One bracket... So many possibilities.



HeliaRISE®
MANUAL SHADING SYSTEMS



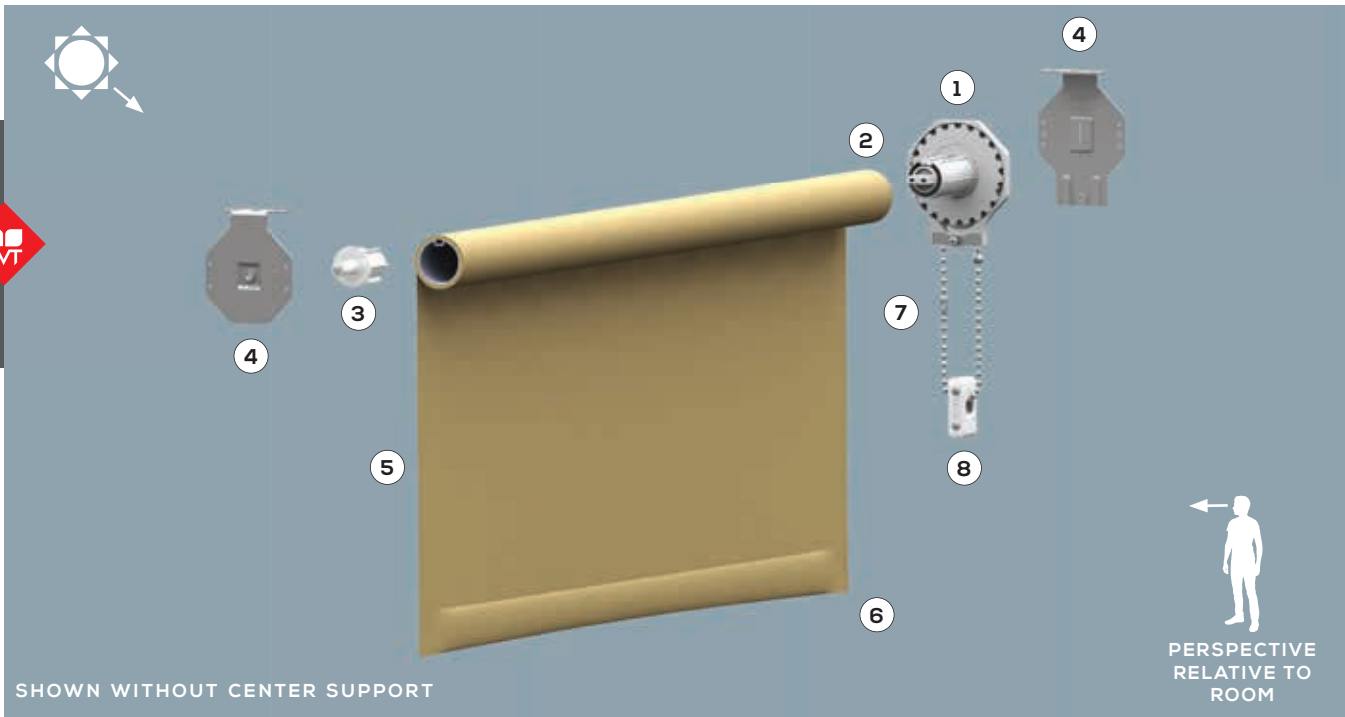
HeliaRISE® H300 SLIM SYSTEM

MANUAL ROLLER SHADE • FOR NARROW SPACES • MEDIUM-LARGE SIZE SHADES

New York 11040

HELIARISE®

{T} 877.294.3580 • {F} 516.294.0444 • {E} info@WTShade.com • 77 Second Avenue • Garden City Park,

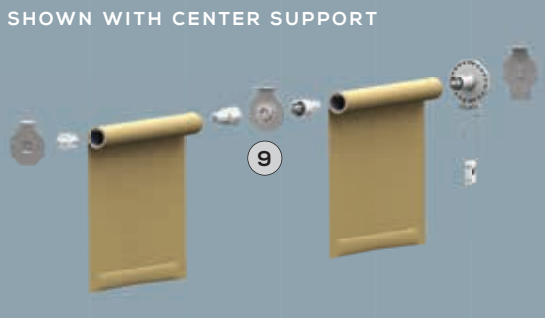


The above system is shown Model H300SL-1.5 Drive Right, Regular Roll. Brackets shown in Ceiling Mount position.

MODELS:
H300SL-1.5
H300SL-2.0
H300SL-2.38

ADDITIONAL INFORMATION

STANDARD COMPONENTS	①	CLUTCH	Available in White (-10) as shown, or Black (-90) and will be color coordinated based on fabric color.**
	②	ROLLER TUBE	May contain 1.5", 2" or 2.38" Diameter tube. Content: Aluminum Alloy.
	③	IDLER	Retractable. Available in White (-10) as shown, or Black (-90) and will be color coordinated based on fabric color.** Systems with SAM will have HD Idler.
	④	SLIM BRACKETS	Can be Ceiling/Jamb or Wall Mounted. Drive Right or Drive Left. Standard finish is Zinc Plated (-49) as shown.
	⑤	FABRIC	See fabric selection for all available options.
	⑥	SEALED HEMBAR	Alternative options available including external, round or heavy duty styles. May require alternative hembar for some accessory compatibility.
	⑦	STAINLESS STEEL DRIVE CHAIN	Includes matching Bead Stops. Alternative materials and colors available.
	⑧	CHILD SAFETY TENSION DEVICE	Available in White (-10) as shown, or Black (-90) and will be color coordinated based on fabric color.**



OPTIONAL	⑨	CENTER SUPPORT INCLUDES CENTER SUPPORT BRACKET, TANGS AND FORKS.	Multibanded option available up to 3 bands. Can be Ceiling or Wall Mounted. Drive Right or Drive Left. Standard finish is Zinc Plated (-49) as shown.
	N/A	SAM SPRING ASSIST MECHANISM MIN SHADE WIDTH: 37½"	(Not Shown) May be added to any system to decrease the pulling force necessary to operate the shade. Drive Right or Drive Left.



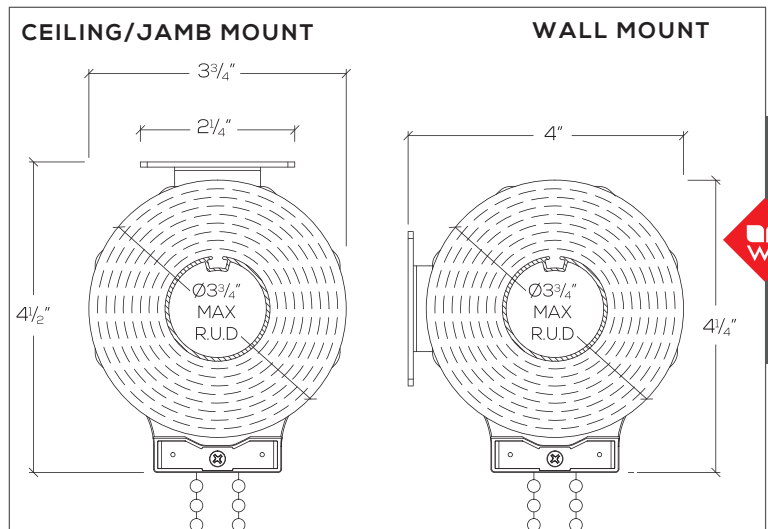
**See Color Coordination Guide for more information.



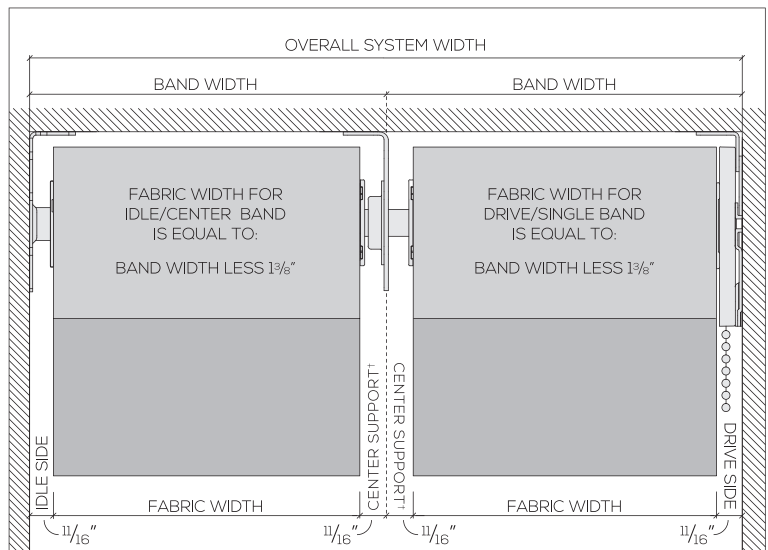
SYSTEM FEATURES

- ◆ Accommodating Ceiling, Wall or Jamb mounting with easy, on-the-fly adjustments.
- ◆ Regular and Reverse Roll available. Clutch may be Drive Right or Drive Left.
- ◆ HeliaRise Clutches feature an integrated stainless steel reinforced Chain Diverter and Set-Screw for maximum stability and durability.
- ◆ Metal to metal contact points on both the Drive and Idle sides of the shade ensure a sturdy and reliable connection to the brackets.
- ◆ Some HeliaRise components are available in White (-10) and Black (-90). WT Shade will color coordinate based on the selected fabric color. Refer to the *Color Coordination Guide* for more information.
- ◆ HeliaRise Shading Systems offer multiple options and accessories, including various Hembar styles and Drive Chain colors.
- ◆ All WT Shade roller shades are available in the *exclusive* line of sustainable solar protection fabrics by EcoFabrix®. To view all available fabrics, visit EcoFabrix.com.
- ◆ Construction Documents for this system and others available at WTShade.com.

SECTION VIEW



EDGE CLEARANCES



† For systems containing the RS23W-99 tube, add 5/16" to each center support deduction.

WARNING

ADVERTENCIA

Bead Chain can STRANGLE Your Child.

To prevent strangulation, purchase cordless products or products with inaccessible cords.

ANSI/WCMA A1001-2018

La cuerda ciega de la ventana puede ESTRANGULAR su niño.

Para evitar el estrangulamiento, compre alternativas inalámbricas o productos con cables inaccesibles.

SYSTEM CAPABILITIES

WIDTH	60"	72"	84"	96"	108"	120"	132"	144"
LENGTH	180"	180"	180"	180"	180"	180"	162"	132"

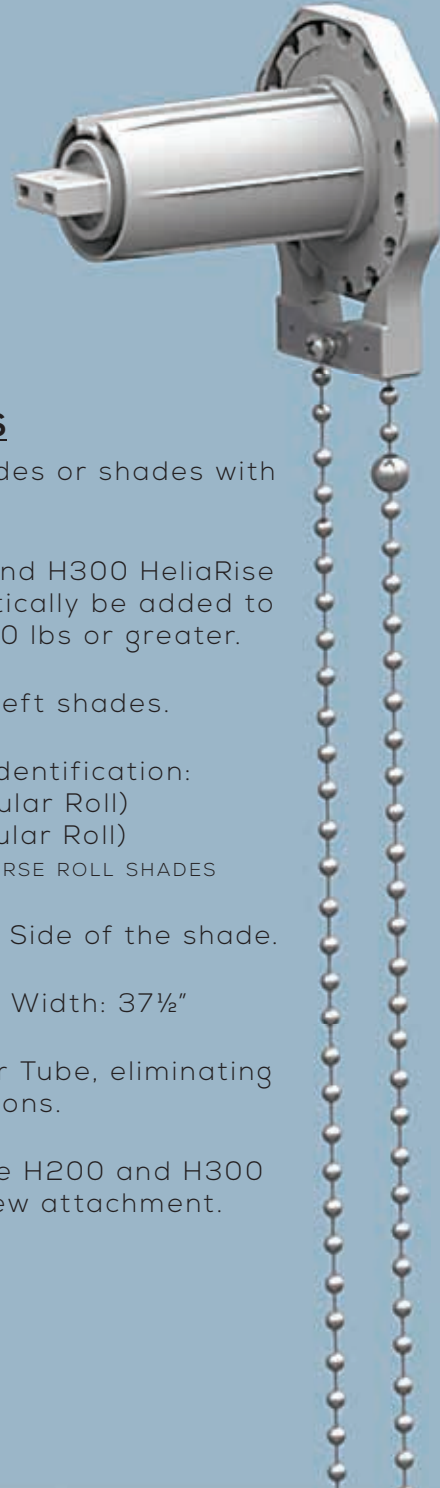
Width and Length may vary depending on the selected shade fabric. The measurements given above are based on EcoFabrix 253. These measurements are for guideline purposes only and in no way guarantee that a shade with any other fabric can be made to these dimensions.



SAM

SPRING ASSIST MECHANISM

Operating a Manual Shade by pulling the Drive Chain may require significant effort, and upgrading to motorization can become expensive. With our brand new **Spring Assist Mechanism (SAM)** you can have a cost-effective option for operating even the largest shades with ease. Mounted inside the tube and attached to the clutch, this pre-wound spring can reduce the required pulling force necessary to operate the shade by up to 50%. With the new WT Shade **SAM**, operating your shades has never been easier!



SAM FEATURES

- ◆ Ideal for use with overly large shades or shades with heavy fabrics.
- ◆ **SAM** is compatible with all H200 and H300 HeliaRise Shading Systems, and will automatically be added to systems with a hanging weight of 10 lbs or greater.
- ◆ Available for Drive Right or Drive Left shades.
- ◆ Spring ends are colored for easy identification:
RED = for Drive Right (Regular Roll)
LIME = for Drive Left (Regular Roll)
DRIVE SIDE WILL BE OPPOSITE FOR REVERSE ROLL SHADES
- ◆ Attaches to the Clutch at the Drive Side of the shade.
- ◆ Minimum required Shading System Width: 37½"
- ◆ Comes pre-wound inside the Roller Tube, eliminating the need for complicated installations.
- ◆ Simple retrofit to existing HeliaRise H200 and H300 Shading Systems with a single screw attachment.

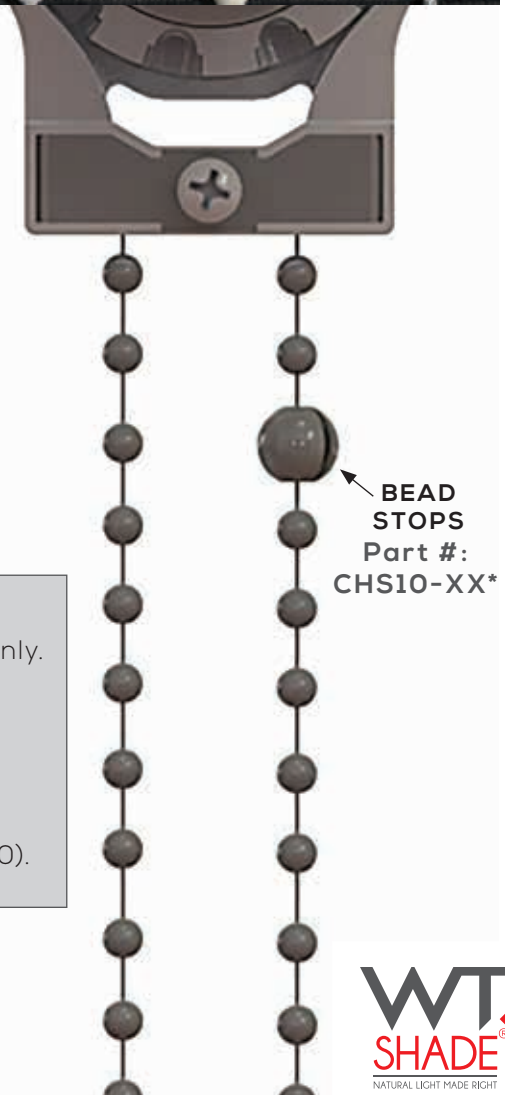
CHAIN SELECTION GUIDE

At WT Shade we know that the smallest detail can add just the right finishing touch to any window treatment. Our collection of beaded Drive Chains are available in various colors and materials allowing you to coordinate with your selected shade fabric, accessories, or simply add some flare for a look that is truly unique!

Black Bead CH10P-90	Polished Brass CH10B-08	Antique Brass CH10B-07	Stainless Steel CH10SS-125	White Bead CH10P-10	Ivory Bead CH10P-04	Grey Bead CH10P-80
-------------------------------	-----------------------------------	----------------------------------	--------------------------------------	-------------------------------	-------------------------------	------------------------------



- ◆ Standard Drive Chain will be stainless steel unless otherwise specified at the time of order.
- ◆ All manual Shading Systems ship from our facility with a Child Safety Tension Device and all the necessary Safety Tags and Safety Labels attached. See *HeliaRise Child Safety* for more information.
- ◆ All manual shades include color coordinated Bead Stops which, when attached to the chain, set the top and bottom limits of the shade.



CHAINS BY MATERIAL

STAINLESS STEEL CHAIN

The WT Shade Standard. Available in Stainless Steel color only.

BRASS CHAIN

Available in Polished Brass (-08) or Antique Brass (-07).

PLASTIC BEAD CHAIN

Available in White (-10), Ivory (-04), Grey (-80) or Black (-90).

MotoRISE[®]
MOTORIZED
SHADING
SYSTEMS
NATURAL LIGHT MADE RIGHT[®]



{T} 877.294.3580 • {F} 516.294.0444

MOTORISE[®]

{E} Info@WTShade.com • 77 Second Avenue • Garden City Park, New York 11040

MotoRISE® MOTORIZED SHADING SYSTEMS GUIDE

Garden City Park, New York 11040

MOTORISE®

(T) 877.294.3580 • (F) 516.294.0444 • (E) info@WTShade.com • 77 Second Avenue

MotoRISE MOTORIZED SHADING SYSTEMS	IF WIDTH IS UP TO ____ THEN LENGTH CAN BE UP TO ____ *	MULTI- BAND OPTION	MORE INFO ON PAGE
	60"	84"	108"	132"	156"	180"	192"			
MR150 SoloMount®	162"	162"	102"	90"				... THEN LENGTH CAN BE UP TO ____ *	◆	C4
MR150 SLIM	162"	162"	102"	90"					◆	C6
MR150 PIGGYBACK SoloMount	162"	162"	102"	90"					◆	C8
MR250 SoloMount	240"	240"	240"	234"	66"				◆	C10
MR250 SLIM	240"	240"	240"	234"	66"				◆	C12
MR250 PIGGYBACK SoloMount	228"	228"	228"	228"	66"				◆	C14
MR250 PIGGYBACK SLIM	240"	240"	240"	234"	66"				◆	C16
MR350 SLIM	240"	240"	240"	240"	240"	180"	90"			C18

MotoRISE MOTORIZED SHADING SYSTEMS	FASCIA SIZE	MOUNTING POSITIONS			EDGE CLEARANCES			ROLL DIRECTION		MORE INFO ON PAGE
		CEILING	WALL	JAMB	DRIVE	IDLE	TOTAL	REG	REV	
MR150 SoloMount	3½"	◆	◆	◆	11/16"	11/16"	1³/8"	◆	◆	C4
MR150 SLIM	N/A	◆	◆	◆	11/16"	11/16"	1³/8"	◆	◆	C6
MR150 PIGGYBACK SoloMount	7"	◆	◆	◆	11/16"	11/16"	1³/8"	◆		C8
MR250 SoloMount	4½"	◆	◆	◆	1¼"	1"	2¼"	◆	◆	C10
MR250 SLIM	N/A	◆	◆	◆	1¼"	1"	2¼"	◆	◆	C12
MR250 PIGGYBACK SoloMount	7"	◆	◆	◆	1³/8"	1"	2³/8"	◆		C14
MR250 PIGGYBACK SLIM	N/A	◆	◆	◆	1¼"	1"	2¼"	◆		C16
MR350 SLIM	N/A	◆	◆	◆	1¼"	1¹/8"	2³/8"	◆	◆	C18

- ◆ All MotoRISE® Systems may be Drive Right or Drive Left.
- ◆ All MotoRISE Systems are available in your choice of solar fabric.
- ◆ All MotoRISE Systems have various options for motors and controls. See Motor Reference Guide for all motor options for each system.
- ◆ All MotoRISE Systems offer multiple options and accessories, including various Hembar styles.

GET TO KNOW THE WT SHADE FAMILY OF BRANDS!

HeliaRISE®
MANUAL
SHADING SYSTEMS

MotoRISE®
MOTORIZED
SHADING SYSTEMS

BottomRISE™
BOTTOM-UP
SHADING SYSTEMS

HeRISE™
SKYLIGHT
SHADING SYSTEMS



*NOTE ABOUT MEASUREMENTS: Width and Length may vary depending on the selected shade fabric. The measurements given above are based on EcoFabrix® 253. These measurements are for guideline purposes only and in no way guarantee that a shade with any other fabric can be made to these dimensions.

Making sure our products are safe is a number one priority at WT Shade. **That is why we are proud to announce that all MotoRise Shading Systems have been Certified Best For Kids.**

The Window Covering Manufacturers Association (WCMA) has introduced this third party certification program, the industry's first, which was designed to help consumers identify window covering products that are best suited for use in homes or in facilities in which young children are expected to be present. The **Best for Kids** program requires manufacturers who's products meet stringent criteria to submit those products to a third party testing laboratory recognized by WCMA for verification.

Products which are eligible include shading systems which have no cords. Cords can produce a hazardous loop which can create a potential wrap around hazard for young children.

MotoRise Shading Systems contain NO cords what-so-ever, making it easy to trust that these products are safe but now, thanks to **Best For Kids**, you can be absolutely sure!

For more information please visit: www.WCMAnet.org

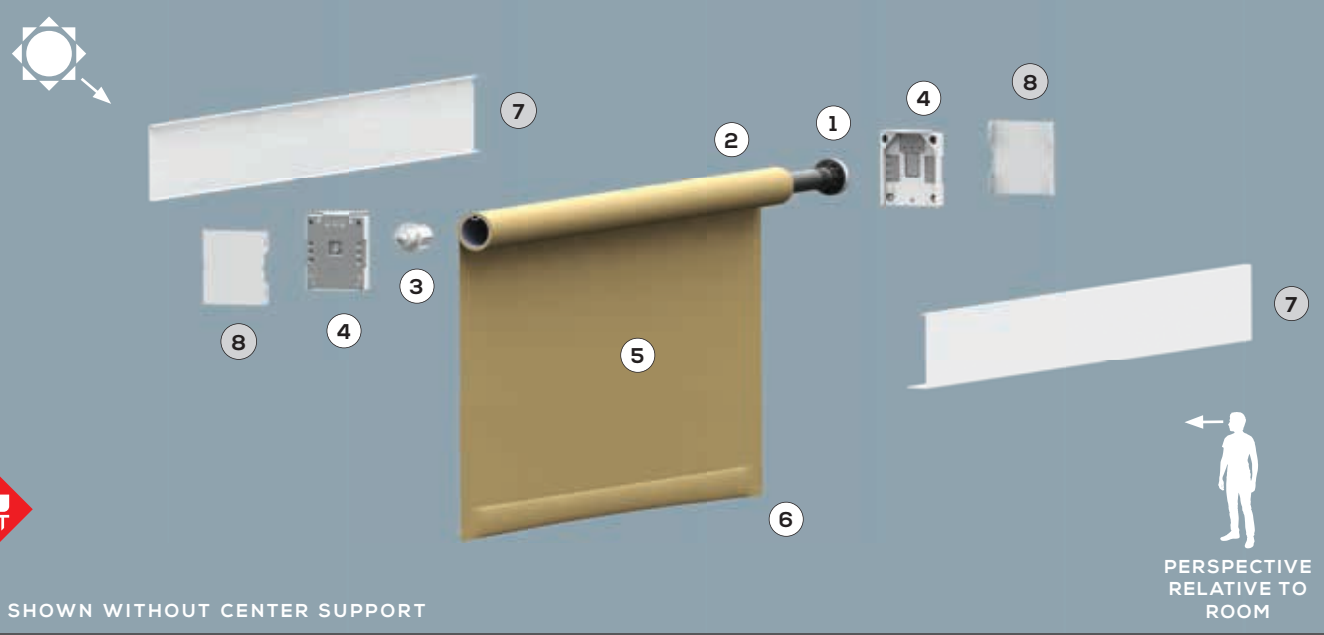


MotoRISE® MR150 SoloMount® SYSTEM

MOTORIZED ROLLER SHADE • FASCIA COMPATIBLE • LOW VOLTAGE • SMALL-MEDIUM SIZE SHADES

Garden City Park, New York 11040

MOTORISE®



SHOWN WITHOUT CENTER SUPPORT

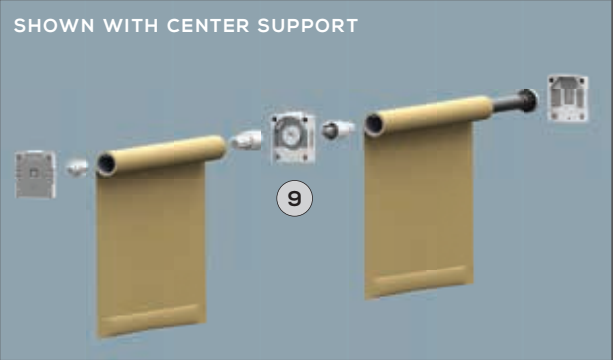
PERSPECTIVE
RELATIVE TO
ROOM

The above system is shown Model MR150SM-1.5 Drive Right, Regular Roll with Front Fascia and Rear Fascia. Brackets shown in Ceiling Mount position.

MODELS:
MR150SM-1.5
MR150SM-2.0

ADDITIONAL INFORMATION

STANDARD COMPONENTS		
1	MOTOR WITH ADAPTERS	See Motor Reference Guide for motors available for this system.
2	ROLLER TUBE	May contain 1.5" or 2" Diameter tube. Content: Aluminum Alloy.
3	IDLER	Retractable. Available in White (-10) as shown, or Black (-90) and will be color coordinated based on fabric color.**
4	SoloMount BRACKETS	Ships preset for Ceiling/Jamb or Wall Mounting for Drive Right or Drive Left. Available in White (-10) as shown, or Black (-90) and will be color coordinated based on fabric color. **
5	FABRIC	See fabric selection for all available options.
6	SEALED HEMBAR	Alternative options available including external, round or heavy duty styles. May require alternative hembar for some accessory compatibility.
OPTIONAL		
7	3.5" FASCIA	Available for Front & Rear application for Regular or Reverse Roll. Available in White (-10) as shown, Ivory (-04), Silver (-20), Bronze (-50) or Black (-90).
8	END CAPS	Available in White (-10) as shown, Ivory (-04), Silver (-20), Bronze (-50) or Black (-90).
9	CENTER SUPPORT INCLUDES CENTER SUPPORT BRACKET, TANGS AND FORKS	Multibanded option available up to 3 bands. Can be Ceiling or Wall Mounted. Drive Right or Drive Left. Available in White (-10) as shown, or Black (-90) and will be color coordinated based on fabric color.**



SHOWN WITH CENTER SUPPORT

OPTIONAL		
N/A	WALL MOUNT ANGLE	(Not Shown) Required for wall mount applications with rear fascia. Size: 3½" x 3½" x 1¼"
N/A	MOTOR POWER SUPPLY	(Not Shown) See Motor Reference Guide for available motors.
N/A	MOTOR CONTROL	(Not Shown) SOLD SEPARATELY See Communication Guides for available control options.
N/A	TANDEM JOINER PLATE	(Not Shown) Use to join two SoloMount Brackets together to create a tandem style system.

{T} 877.294.3580 • {F} 516.294.0444 • {E} info@WTShade.com • 77 Second Avenue

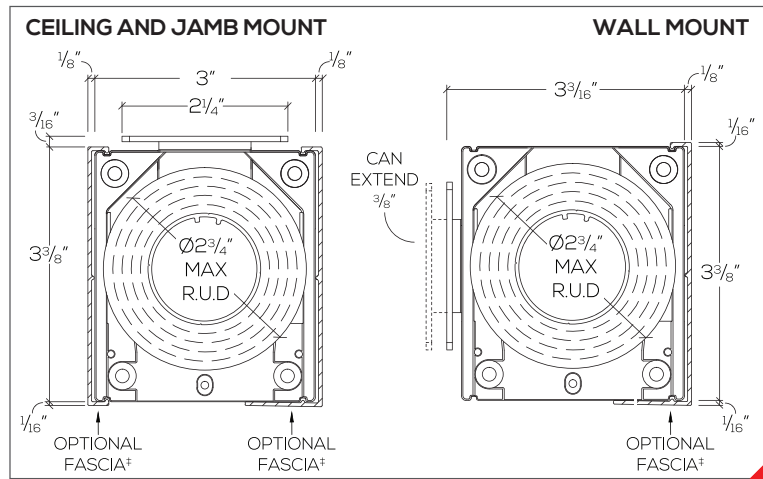


**See Color Coordination Guide for more information.

SYSTEM FEATURES

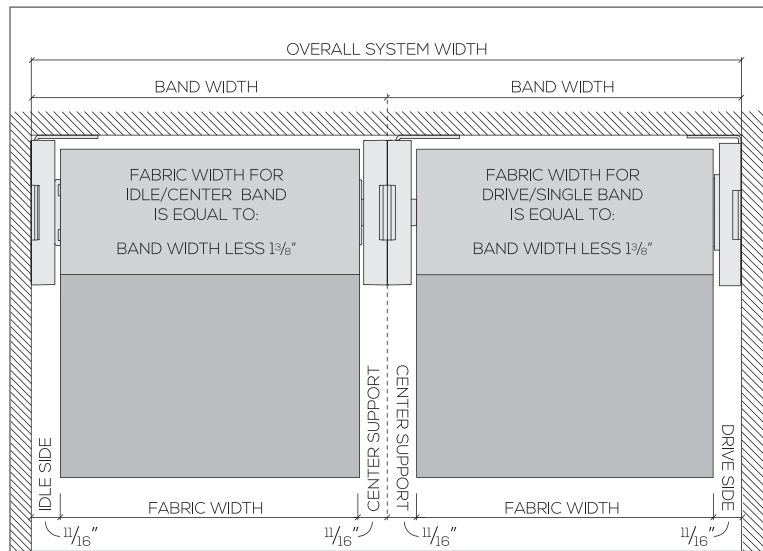
- ◆ Featuring our proprietary, all-in-one **SoloMount Brackets**: Ceiling, Wall or Jamb mount capable allowing easy, on-the-fly adjustments. Mounting flange is extendible up to 3/8" for Wall Mount applications.
- ◆ Available with Front Fascia, Rear Fascia or Both! Regular and Reverse Roll available. Motor may be Drive Right or Drive Left.
- ◆ **SoloMount Brackets** are designed to accept fascia at the time of order or at any point in the future.
- ◆ Some MotoRise components are available in White (-10) and Black (-90). WT Shade will color coordinate based on the selected fabric color. See Color Coordination Guide for specific information.
- ◆ MotoRise Shading Systems offer multiple options and accessories, including various Hembar styles.
- ◆ All WT Shade roller shades are available in the *exclusive* line of sustainable solar protection fabrics by EcoFabrix. To view all available fabrics, visit EcoFabrix.com.
- ◆ See Motor Reference Guide for all compatible motor options.
- ◆ MotoRise shades require a Motor Control in order for the shade to operate. All Motor Controls are sold separately. See Communication Guides for Motor Control information.
- ◆ Construction Documents and installation instructions for this system and others available at WTShade.com.

SECTION VIEW



‡ Front and rear fascia is able to be used in Ceiling or Jamb Mount applications. Wall Mount applications with rear fascia require the use of Wall Mount Angles (Not Shown).

EDGE CLEARANCES



SYSTEM CAPABILITIES

WIDTH	60"	72"	84"	96"	108"	120"	132"
LENGTH	162"	162"	162"	150"	102"	102"	90"

Width and length may vary depending on the selected shade fabric. The measurements given above are based on EcoFabrix 253. These measurements are for guideline purposes only and in no way guarantee that a shade with any other fabric can be made to these dimensions.



This product contains no cords and has been certified that it is safe to use around children.

THE SoloMount BRACKET®
One bracket... So many possibilities.



MotoRISE® MR150 SLIM SYSTEM

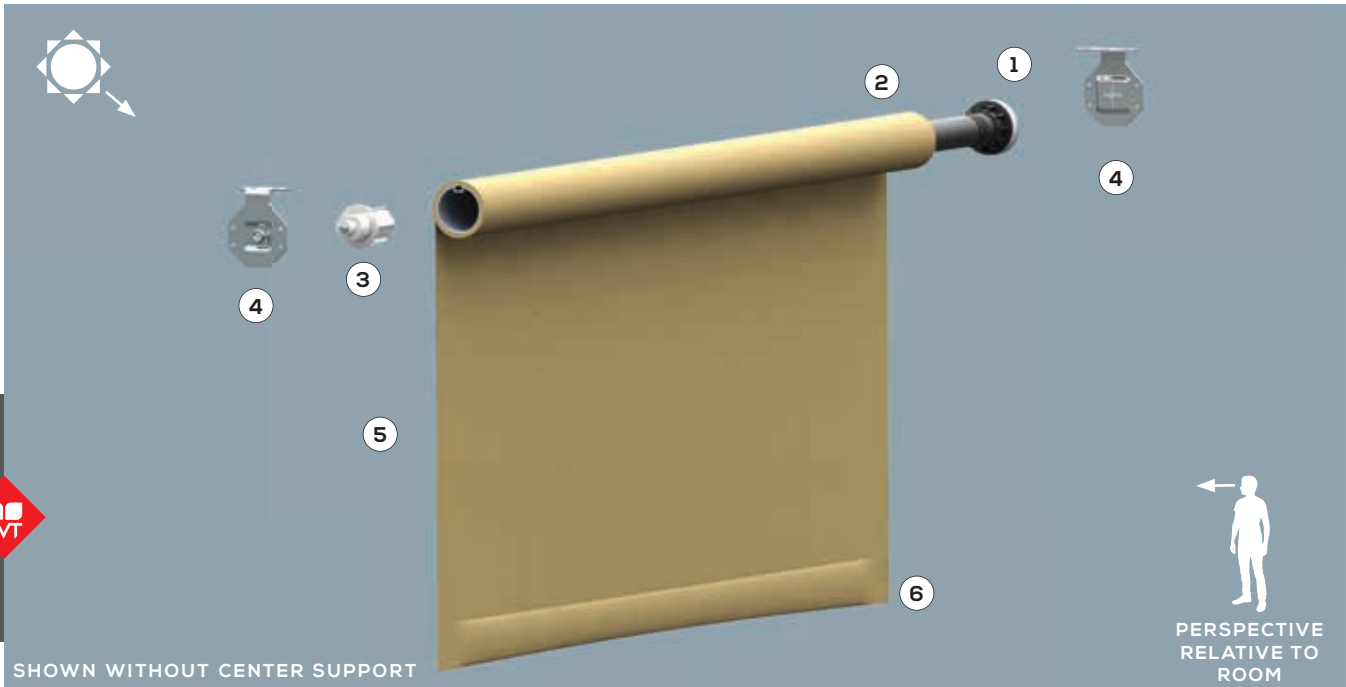
MOTORIZED ROLLER SHADE • FOR NARROW SPACES • LOW VOLTAGE • SMALL-MEDIUM SIZE SHADES

Garden City Park, New York 11040

MOTORISE®



(T) 877.294.3580 • (F) 516.294.0444 • (E) info@WTShade.com • 77 Second Avenue

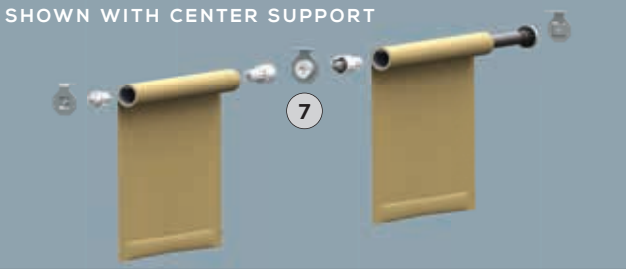


The above system is shown Model MR150SL-1.5 Drive Right, Regular Roll. Brackets shown in Ceiling Mount position.

**MODEL:
MR150SL-1.5
MR150SL-2.0**

ADDITIONAL INFORMATION

STANDARD COMPONENTS		
①	MOTOR WITH ADAPTERS	See Motor Reference Guide for available motors.
②	ROLLER TUBE	May contain 1.5" or 2" Diameter tube. Content: Aluminum Alloy.
③	IDLER	Retractable. Available in White (-10) as shown, or Black (-90) and will be color coordinated based on fabric color.**
④	SLIM BRACKETS	Can be Ceiling/Jamb or Wall Mounted. Drive Right or Drive Left. Standard finish is Zinc Plated (-49) as shown.
⑤	FABRIC	See fabric selection for all available options.
⑥	SEALED HEMBAR	Alternative options available including external, round or heavy duty styles. May require alternative hembar for some accessory compatibility.
OPTIONAL		
⑦	CENTER SUPPORT INCLUDES CENTER SUPPORT BRACKET, TANGS AND FORKS.	Multibanded option available up to 3 bands. Can be Ceiling or Wall Mounted. Drive Right or Drive Left. Available in White (-10) as shown, or Black (-90) and will be color coordinated based on fabric color.**



OPTIONAL		
N/A	MOTOR POWER SUPPLY	(Not Shown) See Motor Reference Guide for available motors.
N/A	MOTOR CONTROL	(Not Shown) SOLD SEPARATELY See Communication Guides for available control options.

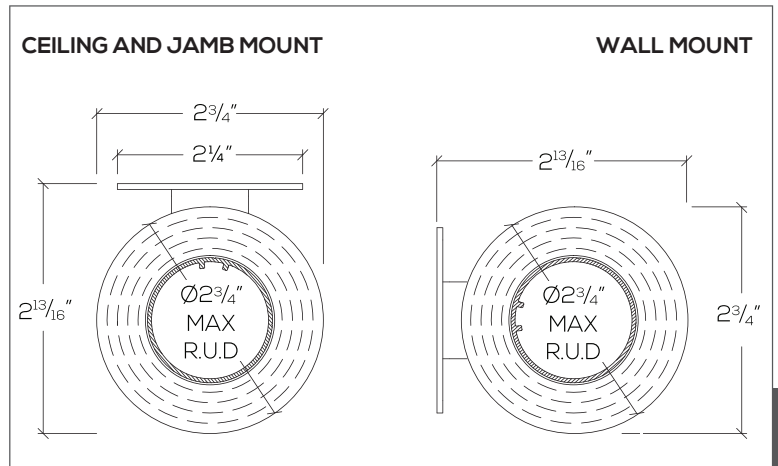


**See Color Coordination Guide for more information.

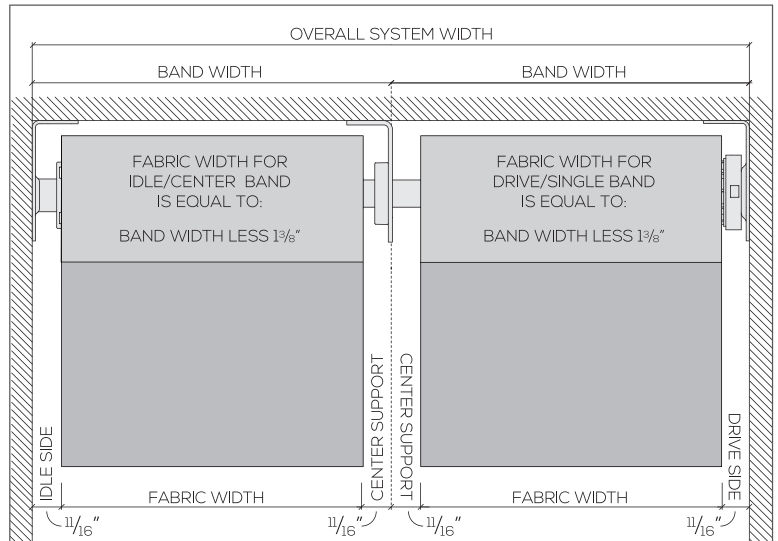
SYSTEM FEATURES

- ◆ Accommodating Ceiling, Wall or Jamb mounting with easy, on-the-fly adjustments.
- ◆ Regular or Reverse Roll available. Motor may be Drive Right or Drive Left.
- ◆ Some MotoRise components are available in White (-10) and Black (-90). WT Shade will color coordinate based on the selected fabric color. See Color Coordination Guide for specific information.
- ◆ MotoRise Shading Systems offer multiple options and accessories, including various Hembar styles.
- ◆ All WT Shade roller shades are available in the *exclusive* line of sustainable solar protection fabrics by EcoFabrix. To view all available fabrics, visit EcoFabrix.com.
- ◆ See Motor Reference Guide for all compatible motor options.
- ◆ MotoRise shades require a Motor Control in order for the shade to operate. All Motor Controls are sold separately. See Communication Guides for Motor Control information.
- ◆ Construction Documents for this system and others available at WTShade.com.

SECTION VIEW



EDGE CLEARANCES



SYSTEM CAPABILITIES

WIDTH	60"	72"	84"	96"	108"	120"	132"
LENGTH	162"	162"	162"	150"	102"	102"	90"

Width and length may vary depending on the selected shade fabric. The measurements given above are based on EcoFabrix 253. These measurements are for guideline purposes only and in no way guarantee that a shade with any other fabric can be made to these dimensions.

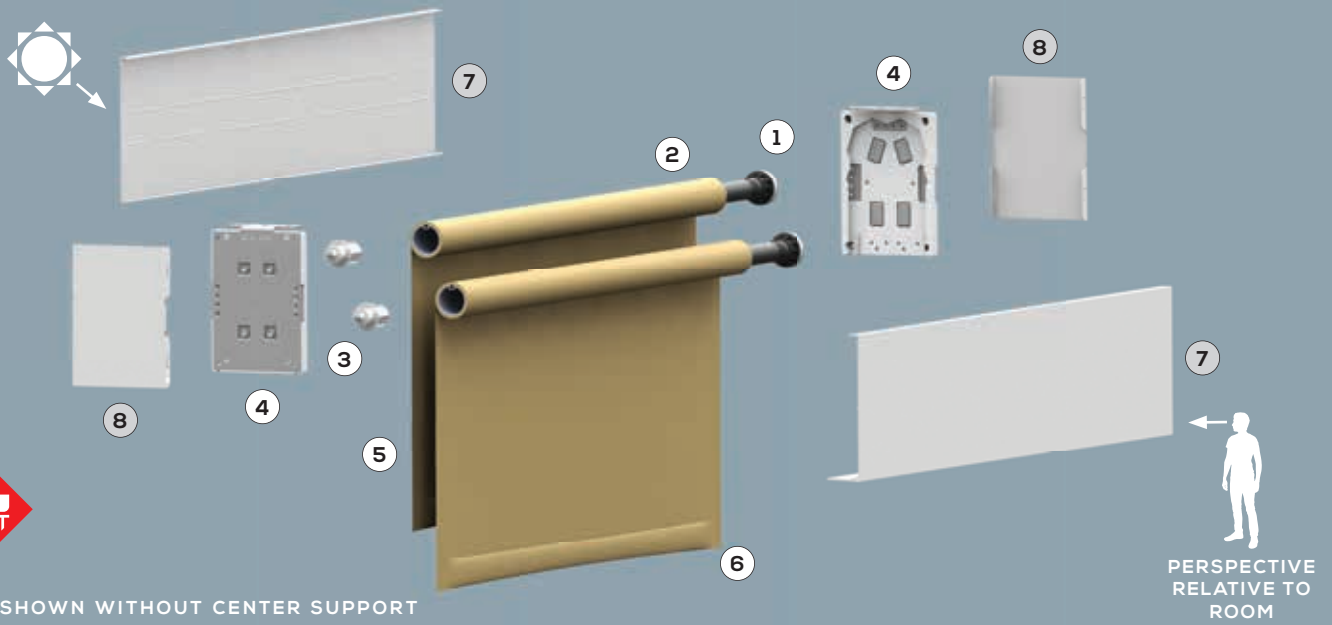


MotoRISE® MR150 PIGGYBACK SoloMOUNT® SYSTEM

MOTORIZED DOUBLE ROLLER SHADE • FASCIA COMPATIBLE • LOW VOLTAGE • SMALL-MEDIUM SIZE SHADES

Garden City Park, New York 11040

MOTORISE®

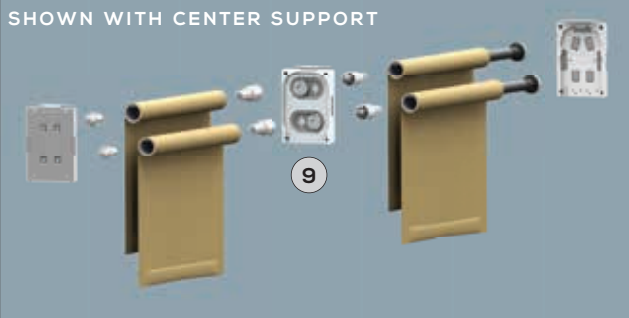


The above system is shown Model MR150PB-1.5 Drive Right, with Front Fascia and Rear Fascia. Brackets shown in Ceiling Mount position.

ADDITIONAL INFORMATION

MODEL:
MR150PB-1.5
MR150PB-2.0

STANDARD COMPONENTS		
1	MOTOR WITH ADAPTERS	See Motor Reference Guide for available motors.
2	ROLLER TUBE	May contain 1.5" or 2" Diameter tube. Content: Aluminum Alloy.
3	IDLER	Retractable. Available in White (-10) as shown, or Black (-90) and will be color coordinated based on fabric color.**
4	PIGGYBACK SoloMOUNT BRACKETS	Ships preset for Ceiling/Jamb or Wall Mounting for Drive Right or Drive Left. Available in White (-10) as shown, or Black (-90) and will be color coordinated based on fabric color. **
5	FABRIC	See fabric selection for all available options.
6	SEALED HEMBAR	Alternative options available including external, round or heavy duty styles. May require alternative hembar for some accessory compatibility.
OPTIONAL		
7	3.5" FASCIA	Available for Front & Rear application. Available in White (-10) as shown, Ivory (-04), Silver (-20), Bronze (-50) or Black (-90). Silver (-20), Bronze (-50) or Black (-90).
8	END CAPS	Available in White (-10) as shown, Ivory (-04), Silver (-20), Bronze (-50) or Black (-90).
9	CENTER SUPPORT INCLUDES CENTER SUPPORT BRACKET, TANGS AND FORKS.	Multibanded option available up to 3 bands. Can be Ceiling or Wall Mounted. Drive Right or Drive Left. Available in White (-10) as shown, or Black (-90) and will be color coordinated based on fabric color.**



OPTIONAL		
N/A	MOTOR POWER SUPPLY	(Not Shown) See Motor Reference Guide for available motors.
N/A	MOTOR CONTROL	(Not Shown) SOLD SEPARATELY See Communication Guides for available control options.
N/A	WALL MOUNT ANGLE	(Not Shown) Required for Wall Mount applications with Rear Fascia. Size: 6½" x 6½" x 1½"

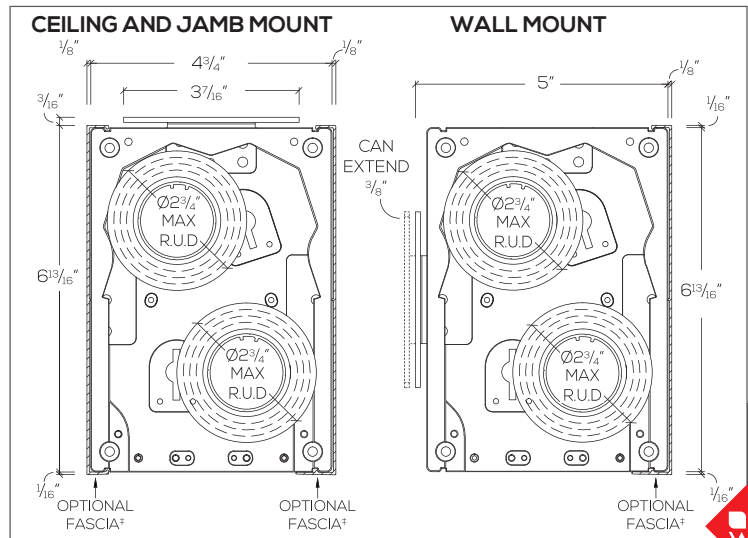


**See Color Coordination Guide for more information.

SYSTEM FEATURES

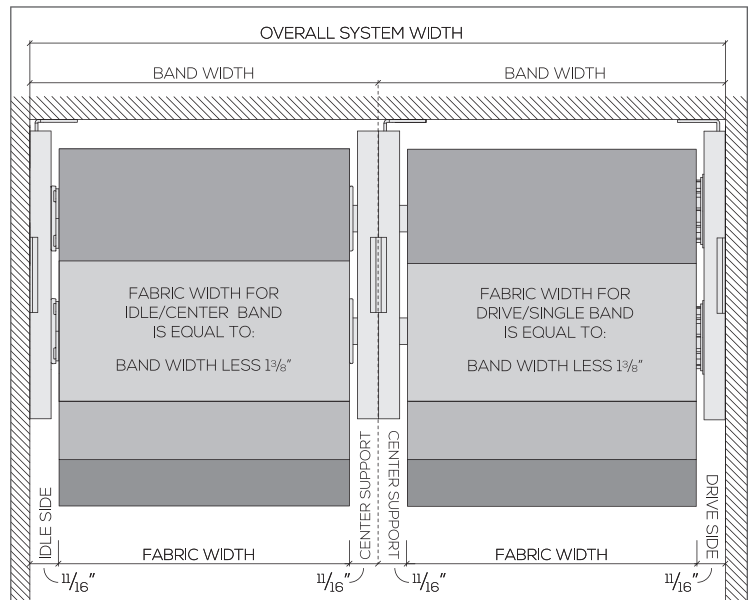
- ◆ **Piggyback** shades feature two independently operated shades hung staggered, one on top of the other, on a single bracket.
- ◆ Featuring our proprietary, all-in-one **SoloMount Brackets**: Ceiling, Wall or Jamb mount capable allowing easy, on-the-fly adjustments. Mounting flange is extendible up to 3/8" for Wall Mount applications.
- ◆ Available with Front Fascia, Rear Fascia or Both! *Regular Roll shades only.* Motor may be Drive Right or Drive Left.
- ◆ **SoloMount Brackets** are designed to accept fascia at the time of order or at any point in the future.
- ◆ Some MotoRise components are available in White (-10) and Black (-90). WT Shade® will color coordinate based on the selected fabric color. See Color Coordination Guide for specific information.
- ◆ All WT Shade roller shades are available in the *exclusive* line of sustainable solar protection fabrics by EcoFabrix. To view all available fabrics, visit EcoFabrix.com.
- ◆ See Motor Reference Guide for all compatible motor options.
- ◆ MotoRise shades require a Motor Control in order for the shade to operate. All Motor Controls are sold separately. See Communication Guides for Motor Control information.
- ◆ Construction Documents for this system and others available at WTShade.com.

SECTION VIEW



‡ Front and rear fascia is able to be used in Ceiling or Jamb Mount applications. Wall Mount applications with rear fascia require the use of the Wall Mount Angles (Not Shown).

EDGE CLEARANCES



SYSTEM CAPABILITIES

WIDTH	60"	72"	84"	96"	108"	120"	132"
LENGTH	162"	162"	162"	150"	102"	102"	90"

Width and length may vary depending on the selected shade fabric. The measurements given above are based on EcoFabrix 253. These measurements are for guideline purposes only and in no way guarantee that a shade with any other fabric can be made to these dimensions.



This product contains no cords and has been certified that it is safe to use around children.

THE SoloMount BRACKET®
One bracket... So many possibilities.



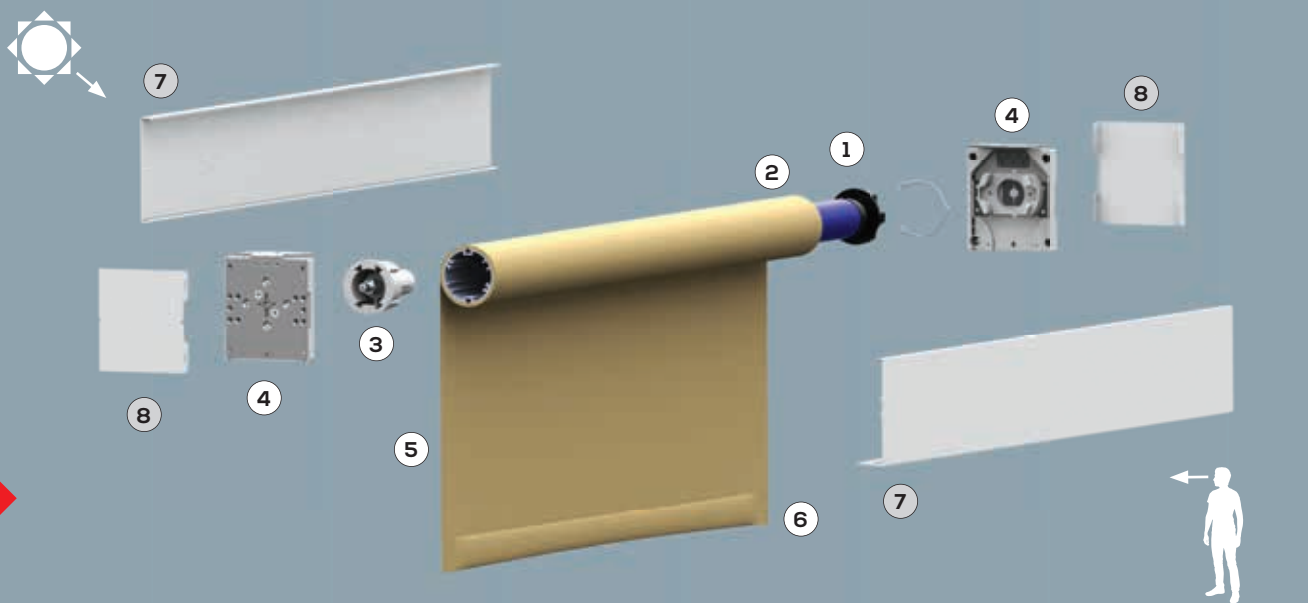
MotoRISE® MR250 SoloMOUNT® SYSTEM

MOTORIZED ROLLER SHADE • FASCIA COMPATIBLE • LINE VOLTAGE • MEDIUM-LARGE SIZE SHADES

Garden City Park, New York 11040

MOTORISE®

(T) 877.294.3580 • (F) 516.294.0444 • (E) info@WTShade.com • 77 Second Avenue



PERSPECTIVE
RELATIVE TO
ROOM

SHOWN WITHOUT CENTER SUPPORT

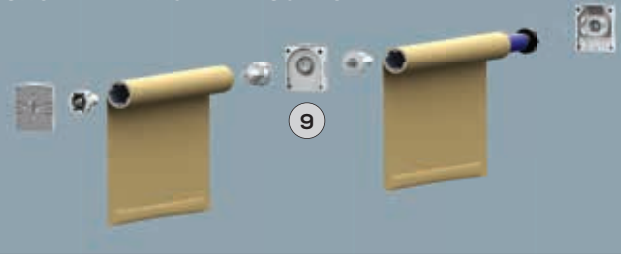
The above system is shown Drive Right, Regular Roll with Front Fascia and Rear Fascia. Brackets shown in Ceiling Mount position.

**MODEL:
MR250SM-2.38**

ADDITIONAL INFORMATION

STANDARD COMPONENTS		
1	MOTOR WITH ADAPTERS	See Motor Reference Guide for available motors.
2	ROLLER TUBE	2.38" Diameter tube. Content: Aluminum Alloy.
3	IDLER	Retractable. Available in White (-10) as shown, or Black (-90) and will be color coordinated based on fabric color.**
4	SoloMOUNT BRACKETS WITH RETAINER RING	Ships preset for Ceiling/Jamb or Wall Mounting for Drive Right or Drive Left. Available in White (-10) as shown, or Black (-90) and will be color coordinated based on fabric color. **
5	FABRIC	See fabric selection for all available options.
6	SEALED HEMBAR	Alternative options available including external, round or heavy duty styles. May require alternative hembar for some accessory compatibility.
OPTIONAL		
7	4.5" FASCIA	Available for Front & Rear application for Regular or Reverse Roll. Available in White (-10) as shown, Ivory (-04), Silver (-20), Bronze (-50) or Black (-90).
8	END CAPS	Available in White (-10) as shown, Ivory (-04), Silver (-20), Bronze (-50) or Black (-90).
9	CENTER SUPPORT INCLUDES CENTER SUPPORT BRACKET, TANGS AND FORKS.	Multibanded option available up to 6 bands. Can be Ceiling or Wall Mounted. Drive Right or Drive Left. Available in White (-10) as shown, or Black (-90) and will be color coordinated based on fabric color.**

SHOWN WITH CENTER SUPPORT



OPTIONAL		
N/A	WALL MOUNT ANGLE	(Not Shown) Required for wall mount applications with rear fascia. Size: 4¾" x 4¾" x 1¼"
N/A	MOTOR CONTROL	(Not Shown) SOLD SEPARATELY See Communication Guides for available control options.

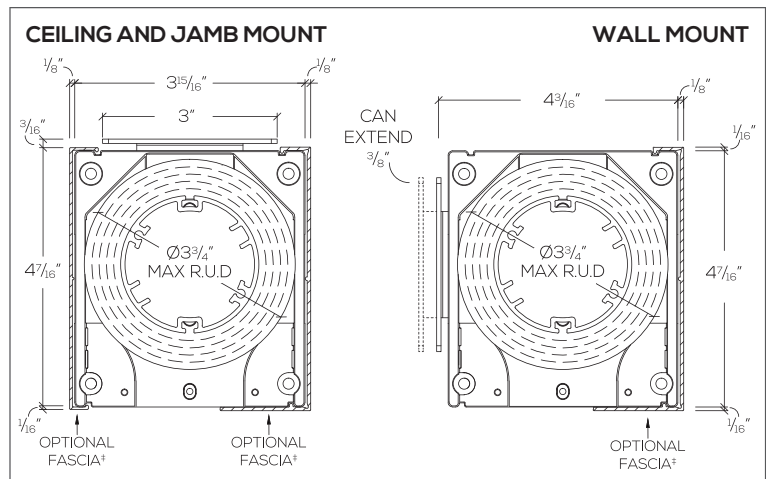


**See Color Coordination Guide for more information.

SYSTEM FEATURES

- ◆ Featuring our proprietary, all-in-one **SoloMount Brackets**: Ceiling, Wall or Jamb mount capable allowing easy, on-the-fly adjustments. Mounting flange is extendible up to 3/8" for Wall Mount applications.
- ◆ Available with Front Fascia, Rear Fascia or Both! Regular and Reverse Roll available. Motor may be Drive Right or Drive Left.
- ◆ **SoloMount Brackets** are designed to accept fascia at the time of order or at any point in the future.
- ◆ Some MotoRise components are available in White (-10) and Black (-90). WT Shade will color coordinate based on the selected fabric color. See Color Coordination Guide for specific information.
- ◆ MotoRise Shading Systems offer multiple options and accessories, including various Hembar styles.
- ◆ All WT Shade roller shades are available in the *exclusive* line of sustainable solar protection fabrics by EcoFabrix. To view all available fabrics, visit EcoFabrix.com.
- ◆ See Motor Reference Guide for all compatible motor options.
- ◆ MotoRise shades require a Motor Control in order for the shade to operate. All Motor Controls are sold separately. See Communication Guides for Motor Control information.
- ◆ Best For Kids Certified! Visit WCMA.net.org for more information.
- ◆ Construction Documents for this system and others available at WTShade.com.

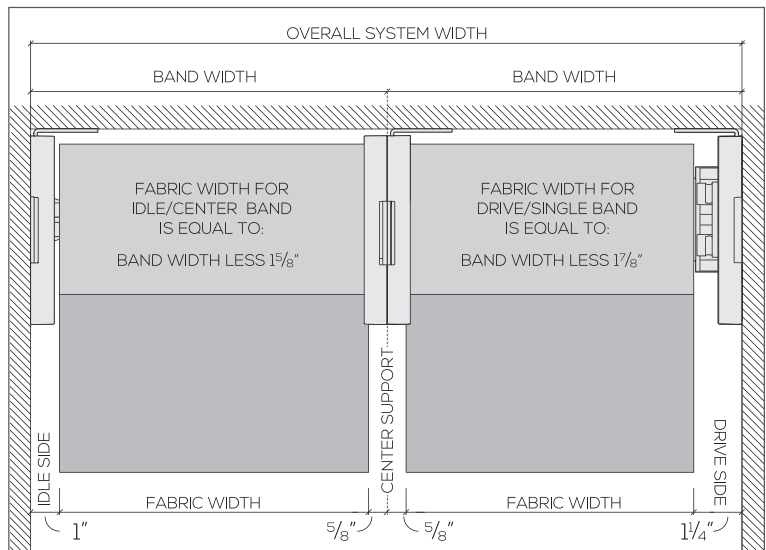
SECTION VIEW



‡ Front and rear fascia is able to be used in Ceiling or Jamb Mount applications. Wall Mount applications with rear fascia require the use of Wall Mount Angles (Not Shown).



EDGE CLEARANCES



SYSTEM CAPABILITIES

WIDTH	84"	96"	108"	120"	132"	144"	156"
LENGTH	240"	240"	240"	240"	234"	132"	66"

Width and length may vary depending on the selected shade fabric. The measurements given above are based on EcoFabrix 253. These measurements are for guideline purposes only and in no way guarantee that a shade with any other fabric can be made to these dimensions.



This product contains no cords and has been certified that it is safe to use around children.

THE SoloMount BRACKET®
One bracket... So many possibilities.



MotoRISE[®] MR250 SLIM SYSTEM

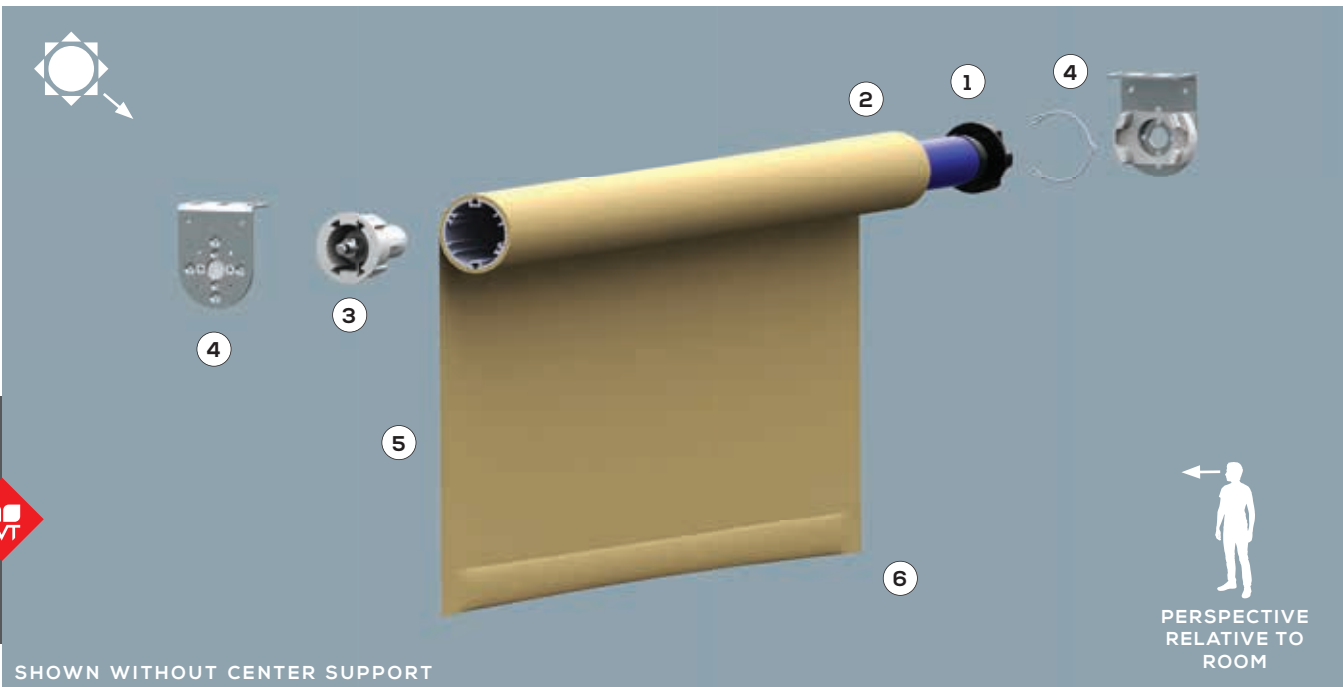
MOTORIZED ROLLER SHADE • LINE VOLTAGE • MEDIUM-LARGE SIZE SHADES

Garden City Park, New York 11040

MOTORISE[®]



(T) 877.294.3580 • (F) 516.294.0444 • (E) info@WTShade.com • 77 Second Avenue



SHOWN WITHOUT CENTER SUPPORT

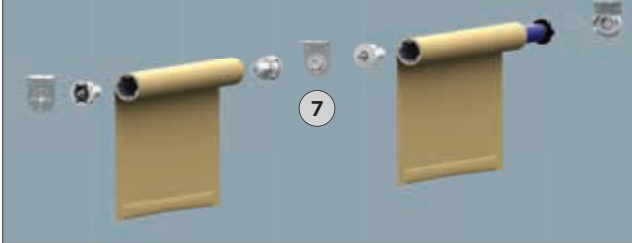
The above system is shown Drive Right, Regular Roll. Brackets shown in Ceiling Mount position.

MODEL:
MR250SL-2.38

ADDITIONAL INFORMATION

STANDARD COMPONENTS		
①	MOTOR WITH ADAPTERS	See Motor Reference Guide for available motors.
②	ROLLER TUBE	2.38" Diameter tube. Content: Aluminum Alloy.
③	IDLER	Available in White (-10) as shown, or Black (-90) and will be color coordinated based on fabric color.**
④	SLIM BRACKETS WITH RETAINER RING	Can be Ceiling/Jamb or Wall Mounted. Drive Right or Drive Left. Standard finish is Zinc Plated (-49) as shown.**
⑤	FABRIC	See fabric selection for all available options.
⑥	SEALED HEMBAR	Alternative options available including external, round or heavy duty styles. May require alternative hembar for some accessory compatibility.
OPTIONAL		
⑦	CENTER SUPPORT INCLUDES CENTER SUPPORT BRACKET, TANGS AND FORKS.	Multibanded option available up to 6 bands. Can be Ceiling or Wall Mounted. Drive Right or Drive Left. Standard finish is Zinc Plated (-49) as shown**

SHOWN WITH CENTER SUPPORT



OPTIONAL	N/A	MOTOR CONTROL	(Not Shown) SOLD SEPARATELY See Communication Guides for available control options.
-----------------	-----	----------------------	--

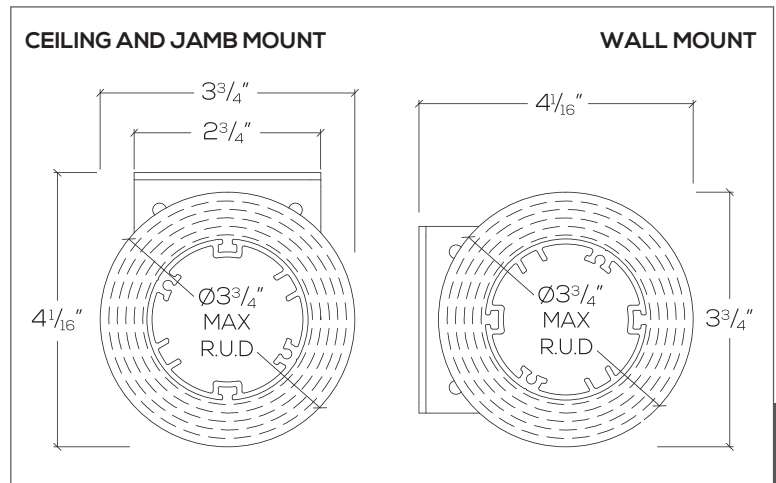


Motor and idler connection is available in White (-10) and Black (-90) and will be color coordinated based on fabric color.
***See Color Coordination Guide for more information.

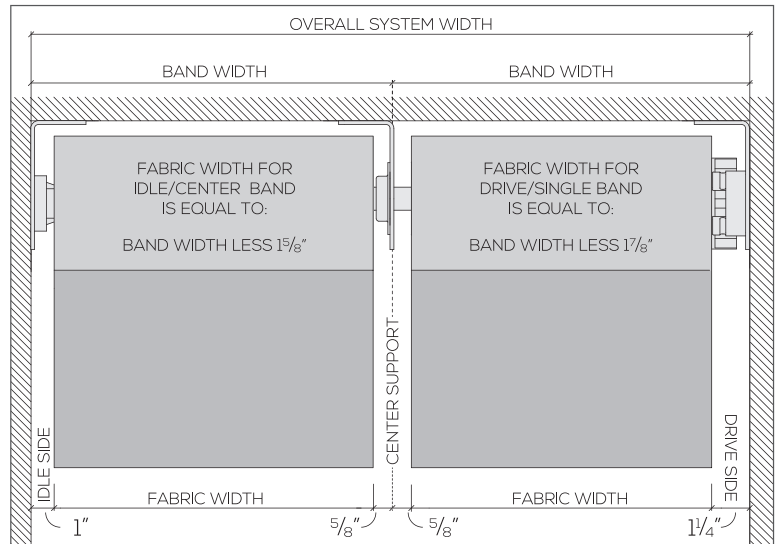
SYSTEM FEATURES

- ◆ Brackets are capable of Ceiling, Wall or Jamb mounting.
- ◆ Regular or Reverse Roll available. Motor may be Drive Right or Drive Left.
- ◆ Some MotoRise components are available in White (-10) and Black (-90). WT Shade will color coordinate based on the selected fabric color. See Color Coordination Guide for specific information.
- ◆ MotoRise Shading Systems offer multiple options and accessories, including various Hembar styles.
- ◆ All WT Shade roller shades are available in the *exclusive* line of sustainable solar protection fabrics by EcoFabrix. To view all available fabrics, visit EcoFabrix.com.
- ◆ See Motor Reference Guide for all compatible motor options.
- ◆ MotoRise shades require a Motor Control in order for the shade to operate. All Motor Controls are sold separately. See Communication Guides for Motor Control information.
- ◆ Best For Kids Certified! Visit WCMAnet.org for more information.
- ◆ Construction Documents for this system and others available at WTShade.com.

SECTION VIEW



EDGE CLEARANCES



SYSTEM CAPABILITIES

WIDTH	84"	96"	108"	120"	132"	144"	156"
LENGTH	240"	240"	240"	240"	234"	132"	66"

Width and length may vary depending on the selected shade fabric. The measurements given above are based on EcoFabrix 253. These measurements are for guideline purposes only and in no way guarantee that a shade with any other fabric can be made to these dimensions.

This product contains no cords and has been certified that it is safe to use around children.

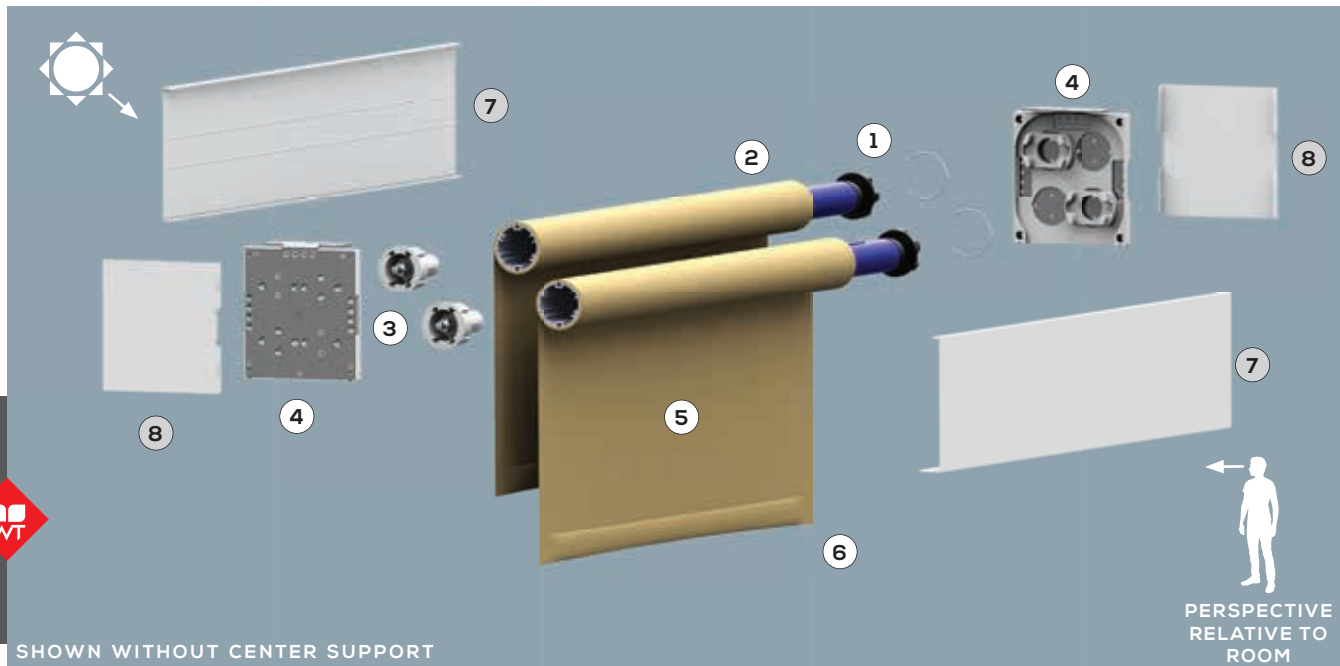


MotoRISE® MR250 PIGGYBACK SoloMOUNT® SYSTEM

MOTORIZED DOUBLE ROLLER SHADE • FASCIA COMPATIBLE • LINE VOLTAGE • MEDIUM-LARGE SIZE SHADES

Garden City Park, New York 11040

MOTORISE®



SHOWN WITHOUT CENTER SUPPORT

PERSPECTIVE
RELATIVE TO
ROOM

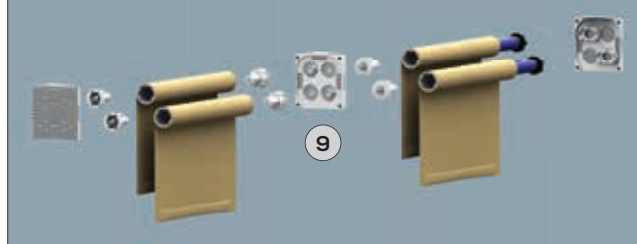
The above system is shown Drive Right, with Front Fascia and Rear Fascia. Brackets shown in Ceiling Mount position.

MODEL:
MR250PBSM-2.38

ADDITIONAL INFORMATION

STANDARD COMPONENTS		
1	MOTOR WITH ADAPTERS	See Motor Reference Guide for available motors.
2	ROLLER TUBE	2.38" Diameter. Content: Aluminum Alloy.
3	IDLER	Retractable. Available in White (-10) as shown, or Black (-90) and will be color coordinated based on fabric color.**
4	PIGGYBACK SoloMOUNT BRACKETS WITH RETAINER RINGS	Ships preset for Ceiling/Jamb or Wall Mounting for Drive Right or Drive Left. Available in White (-10) as shown, or Black (-90) and will be color coordinated based on fabric color. **
5	FABRIC	See fabric selection for all available options.
6	SEALED HEMBAR	Alternative options available including external, round or heavy duty styles. May require alternative hembar for some accessory compatibility.
OPTIONAL		
7	7" FASCIA	Available for Front & Rear application. Available in White (-10) as shown, Ivory (-04), Silver (-20), Bronze (-50) or Black (-90).
8	END CAPS	Available in White (-10) as shown, Ivory (-04), Silver (-20), Bronze (-50) or Black (-90).
9	CENTER SUPPORT INCLUDES CENTER SUPPORT BRACKET, TANGS AND FORKS.	Multibanded option available up to 6 bands. Can be Ceiling or Wall Mounted. Drive Right or Drive Left. Available in White (-10) as shown, or Black (-90) and will be color coordinated based on fabric color.**

SHOWN WITH CENTER SUPPORT



OPTIONAL		
N/A	WALL MOUNT ANGLE	(Not Shown) Required for wall mount applications with rear fascia. Size: 6½" x 6½" x 1½"
N/A	MOTOR CONTROL	(Not Shown) SOLD SEPARATELY See Communication Guides for available control options.

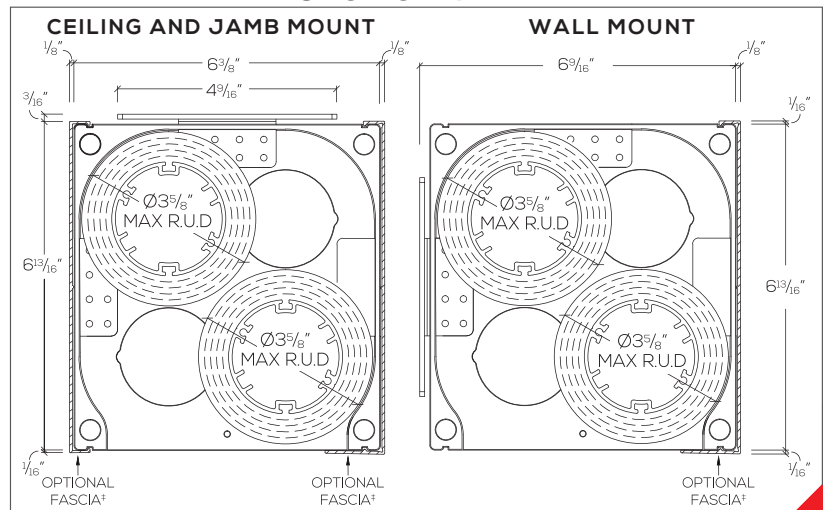


**See Color Coordination Guide for more information.

SYSTEM FEATURES

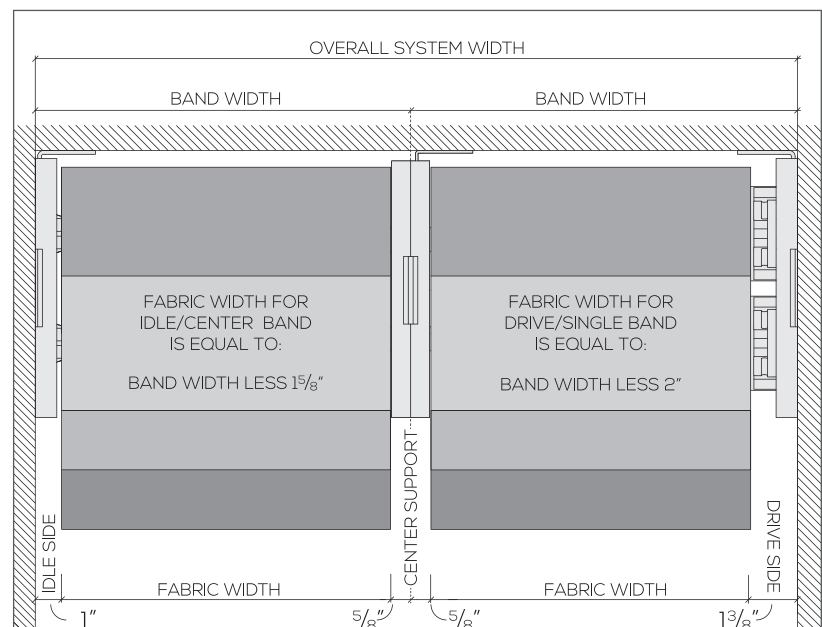
- ◆ **Piggyback** shades feature two independently operated shades hung staggered, one on top of the other, on a single bracket.
- ◆ Featuring our proprietary, all-in-one **SoloMount Brackets**: Ceiling, Wall or Jamb mount capable allowing easy, on-the-fly adjustments. Mounting flange is extendible up to 3/8" for Wall Mount applications.
- ◆ Available with Front Fascia, Rear Fascia or Both! *Regular Roll shades only.* Motor may be Drive Right or Drive Left.
- ◆ **SoloMount Brackets** are designed to accept fascia at the time of order or at any point in the future.
- ◆ Some MotoRise components are available in White (-10) and Black (-90). WT Shade will color coordinate based on the selected fabric color. See Color Coordination Guide for specific information.
- ◆ All WT Shade roller shades are available in the *exclusive* line of sustainable solar protection fabrics by EcoFabrix. To view all available fabrics, visit EcoFabrix.com.
- ◆ See Motor Reference Guide for all compatible motor options.
- ◆ MotoRise shades require a Motor Control in order for the shade to operate. All Motor Controls are sold separately. See Communication Guides for Motor Control information.
- ◆ Best For Kids Certified! Visit WCMAnet.org for more information.
- ◆ Construction Documents for this system and others available at WTShade.com.

SECTION VIEW



‡ Front and rear fascia is able to be used in Ceiling or Jamb Mount applications. Wall Mount applications with rear fascia require the use of the Wall Mount Angles (Not Shown).

EDGE CLEARANCES



SYSTEM CAPABILITIES

WIDTH	84"	96"	108"	120"	132"	144"	156"
LENGTH	228"	228"	228"	228"	228"	132"	66"

Width and length may vary depending on the selected shade fabric. The measurements given above are based on EcoFabrix 253. These measurements are for guideline purposes only and in no way guarantee that a shade with any other fabric can be made to these dimensions.



THE SoloMount BRACKET®
One bracket... So many possibilities.



MotoRISE® MR250 PIGGYBACK SLIM SYSTEM

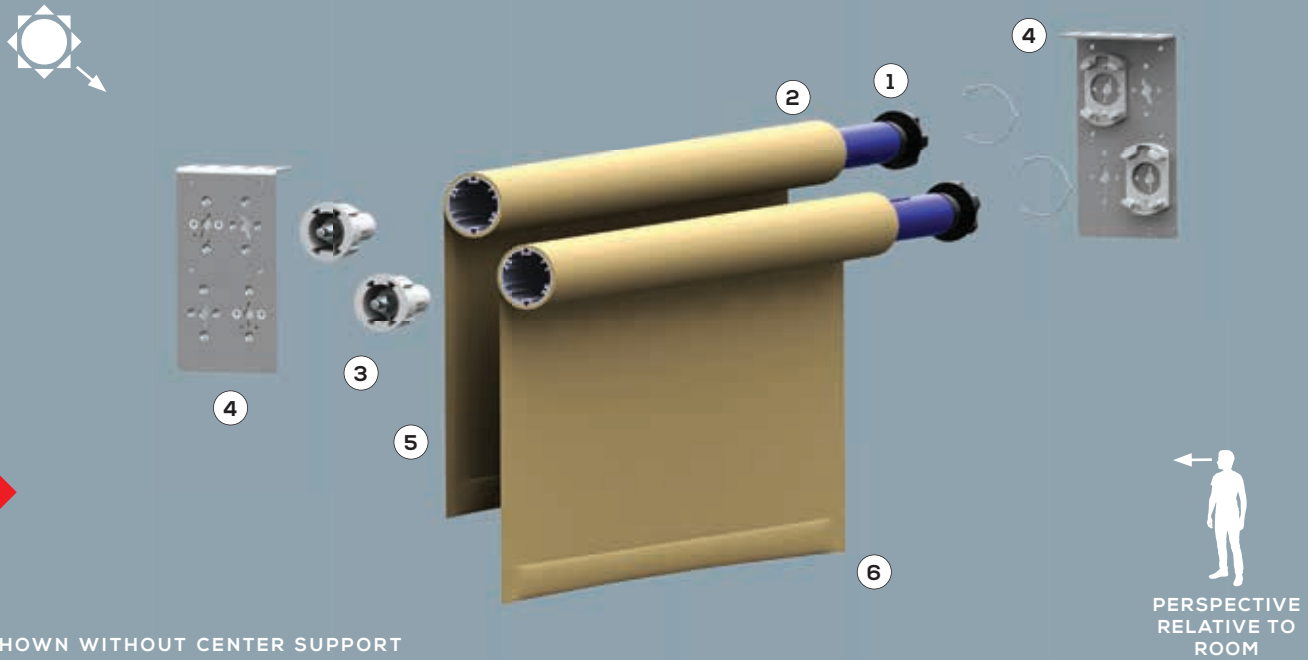
MOTORIZED DOUBLE ROLLER SHADE • LINE VOLTAGE • MEDIUM-LARGE SIZE SHADES

Garden City Park, New York 11040

MOTORISE®



(T) 877.294.3580 • (F) 516.294.0444 • (E) info@WTShade.com • 77 Second Avenue



SHOWN WITHOUT CENTER SUPPORT

PERSPECTIVE
RELATIVE TO
ROOM

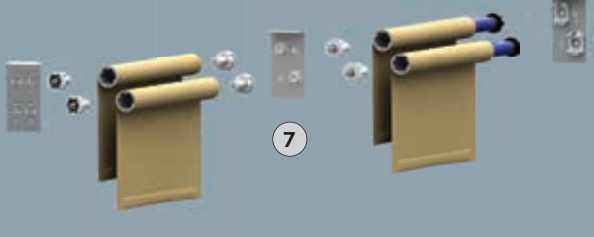
The above system is shown Drive Right, Regular Roll.

MODEL:
MR250PBSL-2.38

ADDITIONAL INFORMATION

STANDARD COMPONENTS		
①	MOTOR WITH ADAPTERS	See Motor Reference Guide for available motors.
②	ROLLER TUBE	2.38" Diameter. Content: Aluminum Alloy.
③	IDLER	Retractable. Available in White (-10) as shown, or Black (-90) and will be color coordinated based on fabric color.**
④	PIGGYBACK SLIM BRACKETS WITH RETAINER RINGS	Can be Ceiling/Jamb or Wall Mounted (Wall Mount requires Wall Mount Angle). Drive Right or Drive Left. Standard finish is Zinc Plated (-49) as shown.**
⑤	FABRIC	See fabric selection for all available options.
⑥	SEALED HEMBAR	Alternative options available including external, round or heavy duty styles. May require alternative hembar for some accessory compatibility.
OPTIONAL		
⑦	CENTER SUPPORT INCLUDES CENTER SUPPORT BRACKET, TANGS AND FORKS.	Multibanded option available up to 6 bands. Can be Ceiling or Wall Mounted. Drive Right or Drive Left. Standard finish is Zinc Plated (-49) as shown.**

SHOWN WITH CENTER SUPPORT



OPTIONAL		
N/A	WALL MOUNT ANGLE	(Not Shown) Required for wall mount applications with rear fascia. Size: 5 3/4" x 4 1/4" x 1 1/2"
N/A	MOTOR CONTROL	(Not Shown) SOLD SEPARATELY See Communication Guides for available control options.

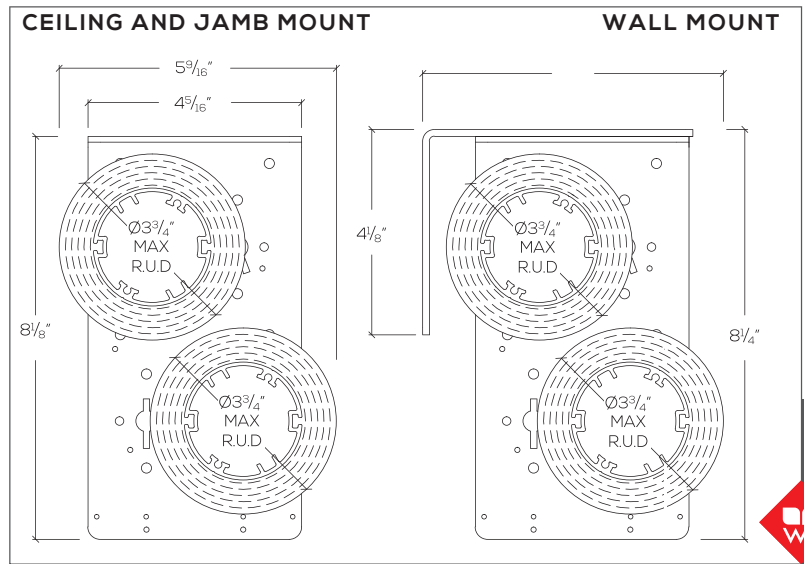


Motor and idler connection is available in White (-10) and Black (-90) and will be color coordinated based on fabric color.
***See Color Coordination Guide for more information.

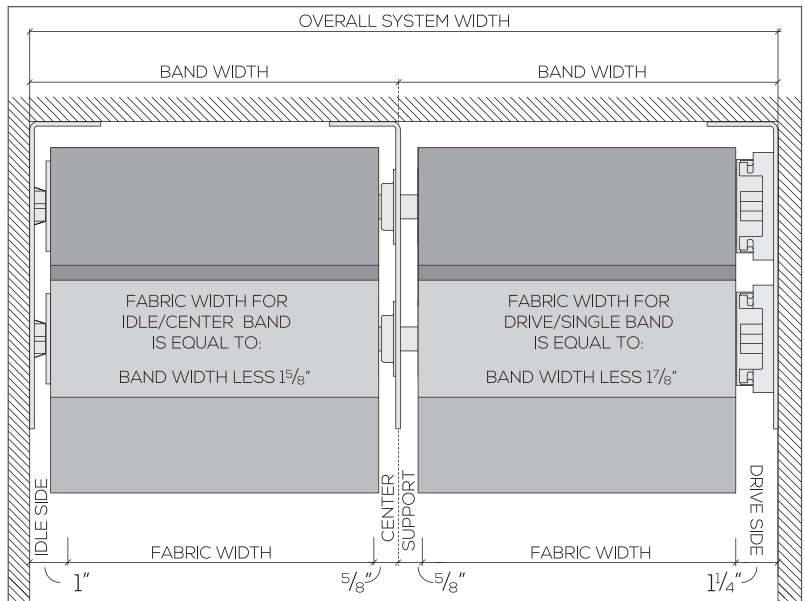
SYSTEM FEATURES

- ◆ **Piggyback** shades feature two independently operated shades hung staggered, one on top of the other, on a single bracket.
- ◆ Specially engineered to fit inside our **CP69** and **CP69TS** Ceiling Pockets!
- ◆ Brackets may be ordered for Ceiling/Jamb, or Wall mounting. Wall mount may require use of the Wall Mount Angle.
- ◆ *Regular Roll shades only.* Motor may be Drive Right or Drive Left.
- ◆ Some MotoRise components are available in White (-10) and Black (-90). WT Shade will color coordinate based on the selected fabric color. See Color Coordination Guide for specific information.
- ◆ MotoRise Shading Systems offer multiple options and accessories, including various Hembar styles.
- ◆ All WT Shade roller shades are available in the *exclusive* line of sustainable solar protection fabrics by EcoFabrix. To view all available fabrics, visit EcoFabrix.com.
- ◆ See Motor Reference Guide for all compatible motor options.
- ◆ MotoRise shades require a Motor Control in order for the shade to operate. All Motor Controls are sold separately. See Communication Guides for Motor Control information.
- ◆ Best For Kids Certified! Visit WCMANet.org for more information.
- ◆ Construction Documents for this system and others available at WTShade.com.

SECTION VIEW



EDGE CLEARANCES



SYSTEM CAPABILITIES

WIDTH	84"	96"	108"	120"	132"	144"	156"
LENGTH	240"	240"	240"	240"	234"	132"	66"

Width and length may vary depending on the selected shade fabric. The measurements given above are based on EcoFabrix 253. These measurements are for guideline purposes only and in no way guarantee that a shade with any other fabric can be made to these dimensions.



This product contains no cords and has been certified that it is safe to use around children.



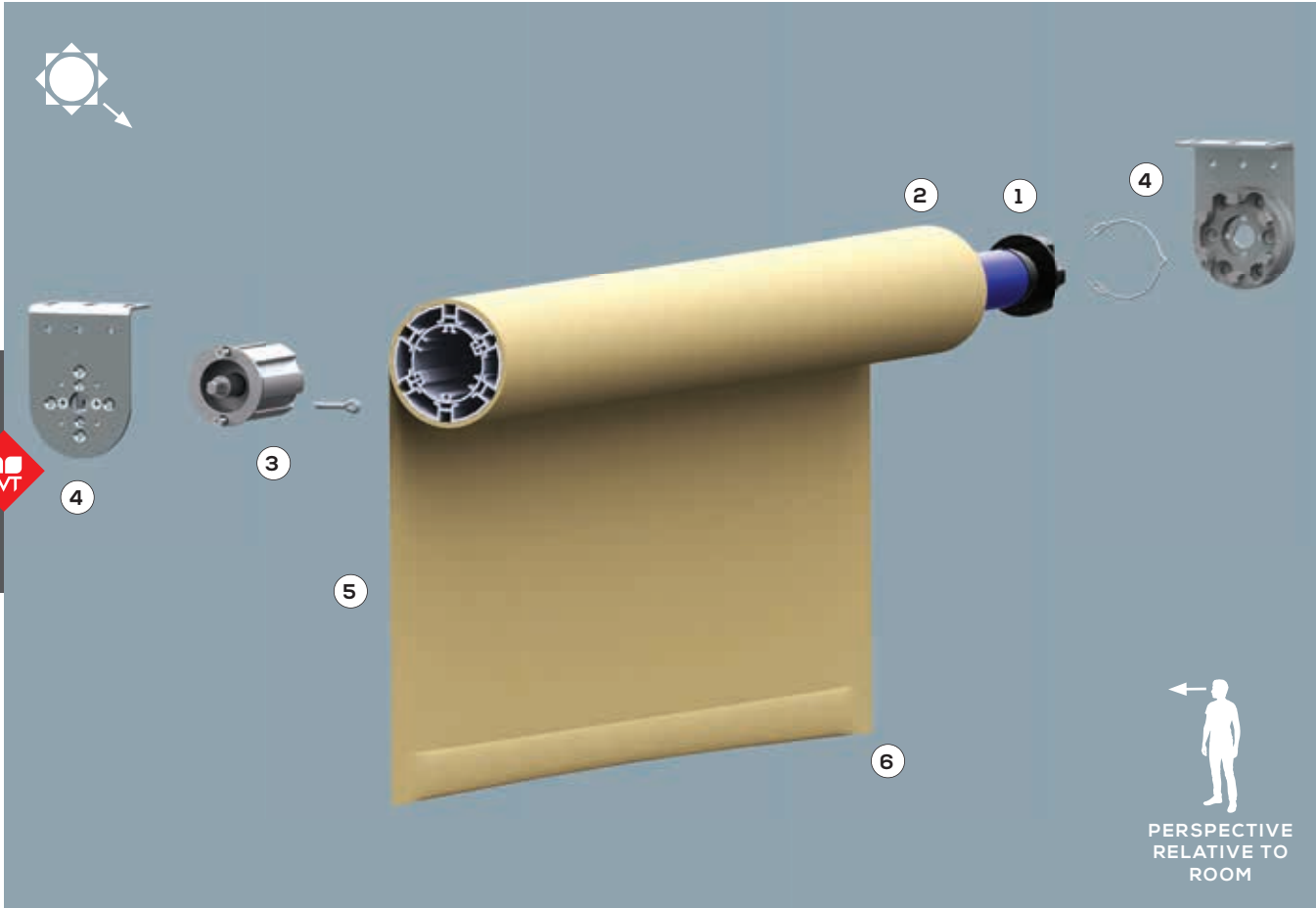
MotoRISE[®] MR350 SLIM SYSTEM

MOTORIZED ROLLER SHADE • LINE VOLTAGE • LARGE SIZE SHADES

Garden City Park, New York 11040

MOTORISE[®]

{T} 877.294.3580 • {F} 516.294.0444 • {E} info@WTShade.com • 77 Second Avenue



The above system is shown Drive Right, Regular Roll. Brackets shown in Ceiling Mount position.

MODEL:
MR350SL-3.5

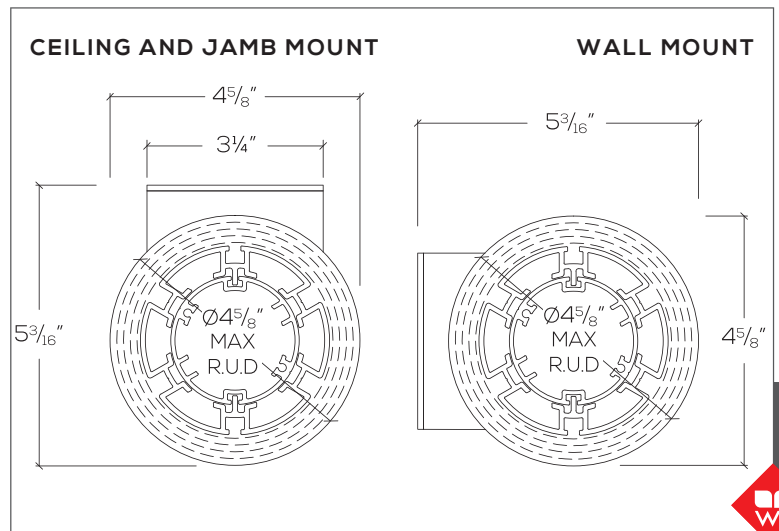
ADDITIONAL INFORMATION

STANDARD COMPONENTS		
①	MOTOR WITH ADAPTERS	See Motor Reference Guide for available motors.
②	NESTED ROLLER TUBE	Contains (2) Nested Roller Tubes- 2.38"/3.5" Diameter. Content: Aluminum Alloy.
③	HEAVY DUTY IDLER WITH SET PIN	Retractable. Available in Mill Finish (-99) as shown.
④	SLIM BRACKETS WITH RETAINER RING	Ceiling, Jamb or Wall Mount capable. Drive Right or Drive Left. Standard finish is Zinc Plated (-49) as shown.
⑤	FABRIC	See fabric selection for all available options.
⑥	SEALED HEMBAR	Alternative options available including external, round or heavy duty styles. May require alternative hembar for some accessory compatibility.
OPTIONAL		
N/A	MOTOR CONTROL	(Not Shown) SOLD SEPARATELY See Communication Guides for available control options.

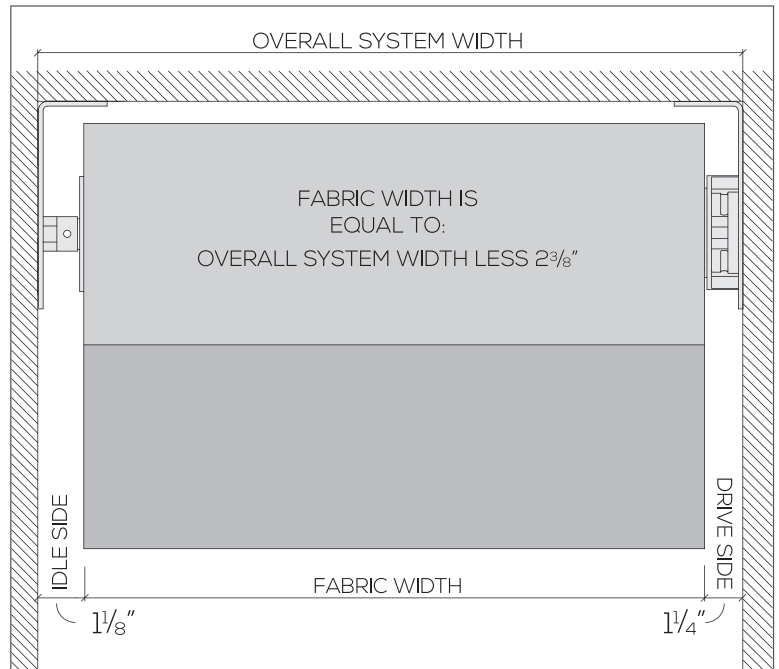
SYSTEM FEATURES

- ◆ Brackets are capable of Ceiling, Wall or Jamb mounting.
- ◆ Regular or Reverse Roll available. Motor may be Drive Right or Drive Left.
- ◆ MotoRise Shading Systems offer multiple options and accessories, including various Hembar styles.
- ◆ All WT Shade roller shades are available in the *exclusive* line of sustainable solar protection fabrics by EcoFabrix. To view all available fabrics, visit EcoFabrix.com.
- ◆ See Motor Reference Guide for all compatible motor options.
- ◆ MotoRise shades require a Motor Control in order for the shade to operate. All Motor Controls are sold separately. See Communication Guides for Motor Control information.
- ◆ Best For Kids Certified! Visit WCMANet.org for more information.
- ◆ Construction Documents for this system and others available at WTShade.com.

SECTION VIEW



EDGE CLEARANCES



SYSTEM CAPABILITIES

WIDTH	120"	132"	144"	156"	168"	180"	192"
LENGTH	240"	240"	240"	240"	240"	180"	90"

Width and length may vary depending on the selected shade fabric. The measurements given above are based on EcoFabrix 253. These measurements are for guideline purposes only and in no way guarantee that a shade with any other fabric can be made to these dimensions.

This product contains no cords and has been certified that it is safe to use around children.



MotoRISE® MOTOR REFERENCE GUIDE

Garden City Park, New York 11040

MOTORISE®

(T) 877.294.3580 • (F) 516.294.0444 • (E) info@WTShade.com • 77 Second Avenue



MotoRise System	WT Shade Part #	Somfy Name/Part #	Communication	Voltage	Amperage	Min. Shade Width	Torque (1Nm=8.8in lbs)	RPM	Sound Level
MR150	MB150RTS	R28 RTS (#1002481)	RTS	12V* DC	2	16.75"	1.1 Nm	28	48-56 dBA
	MBQ150RTS	Sonesse® 30 Wirefree RTS (# 1003128)	RTS	12V* DC	2		2 Nm	10-28	44 dBA
	MDQ150RTS	Sonesse® 30 RTS (#1001524)	RTS	24V DC	1.8	21.875"	2 Nm	6-28	≤ 44 dBA
MR250 or MR350	MAQ506WT	Sonesse 506S2 (#1001814)	Wired	120V AC	1.2	30.50"	6 Nm	32	≤ 45 dBA
	MAUQ506WT	Sonesse ULTRA 506A2 (#1002558)	Wired	120V AC	.95	37.625"	6 Nm	24	≤ 38 dBA
	MAQ510WT	Sonesse 510S2 (#1001813)	Wired	120V AC	1.67	30.50"	10 Nm	32	≤ 47 dBA
	MA515WT	LT50 RA Star Head 515S2 (#1039027)	Wired	120V AC	1.8	30.50"	15 Nm	38	56 dBA
	MA525WT	LT50 RA Star Head 525A2 (#1043024)	Wired	120V AC	1.6	28.50"	25 Nm	20	NOT AVAILABLE
	MAQ506RTS	Sonesse 506S2 RTS (#1001809)	RTS	120V AC	1.2	32.50"	6 Nm	32	≤ 45 dBA
	MAUQ506RTS	Sonesse ULTRA 506A2 RTS (#1002562)	RTS	120V AC	.95	38.625"	6 Nm	24	≤ 38 dBA
	MAQ510RTS	Sonesse 510S2 RTS (#1001807)	RTS	120V AC	1.67	32.50"	10 Nm	32	≤ 47 dBA
	MA525RTS	LT50 Altus RTS 525A2 (#1043287)	RTS	120V AC	1.6	32.375"	25 Nm	20	NOT AVAILABLE
	MAQ506DIG	Sonesse 506S2 RS485 (#1002286)	Digital RS485	120V AC	1.2	32.50"	6 Nm	32	≤ 45 dBA
	MAUQ506DIG	Sonesse ULTRA 506A2 RS485 (#1002566)	Digital RS485	120V AC	.95	39.875"	6 Nm	24	≤ 38 dBA
	MAQ510DIG	Sonesse 510S2 RS485 (#1002287)	Digital RS485	120V AC	1.66	33.25"	10 Nm	32	≤ 47 dBA
	MA515DIG	LT50 515S2 RS485 (#1002427)	Digital RS485	120V AC	1.8	33.125"	15 Nm	38	≤ 55 dBA
MA535DIG	LT50 535A2 RS485 (#1002288)	Digital RS485	120V AC	2.1	33.125"	35 Nm	20	≤ 55 dBA	

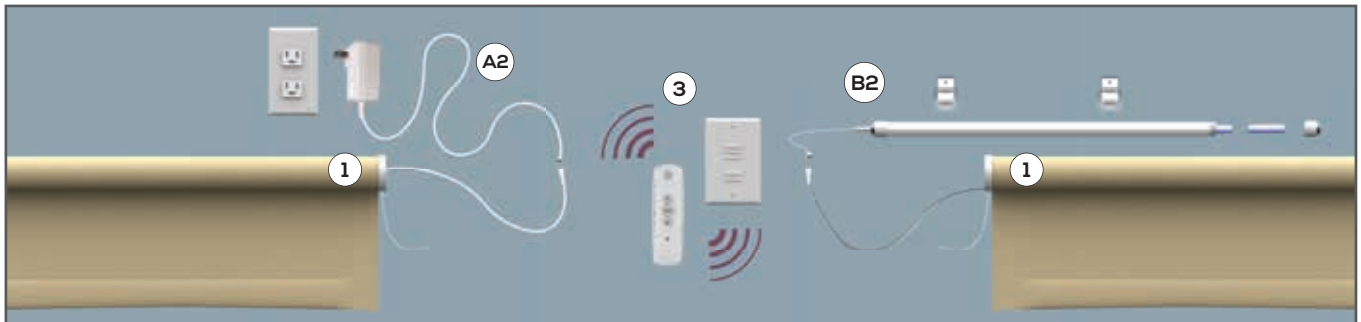
Additional motors may be available, other than those listed above. To inquire about a motor you may not see here, please contact WT Shade.



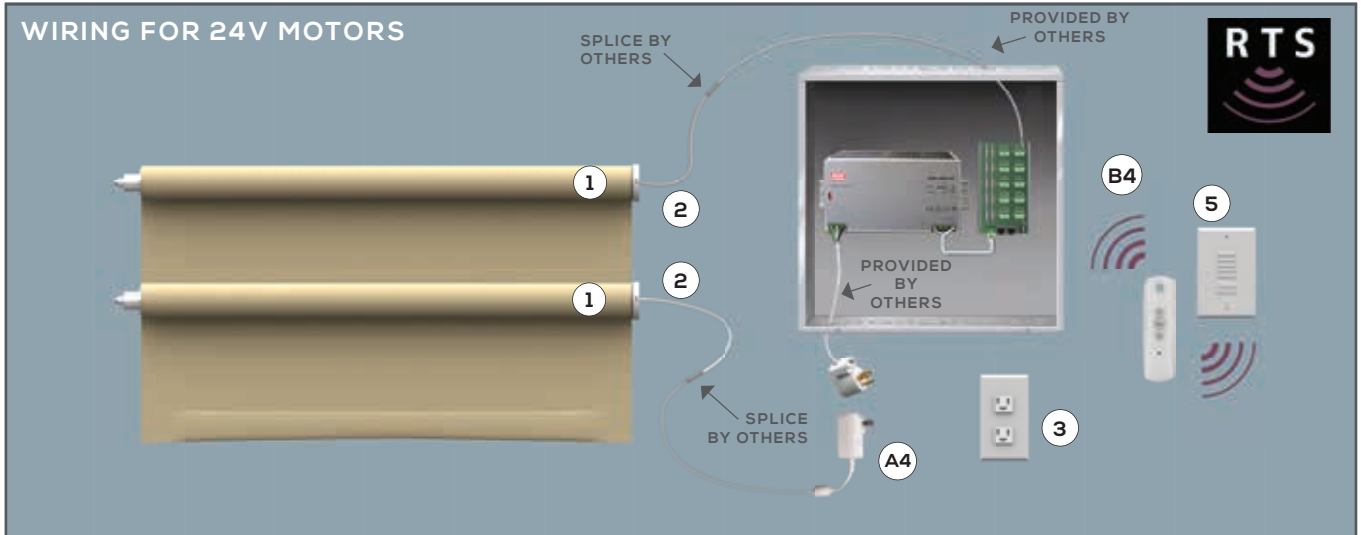
*Battery powered

MotoRISE® RTS COMMUNICATION (LOW VOLTAGE)

APPLIES TO MR150 SHADING SYSTEMS



ADDITIONAL INFORMATION		PART #
1	MotoRISE® SHADING SYSTEM ◆ Option for MotoRIse System Model MR150.	SEE MOTORISE SYSTEM DATA SHEETS FOR SHADING SYSTEM INFORMATION
REQUIRED FOR POWER: CHOOSE OPTION A OR B		
OPTION A FOR MBQ150RTS MOTOR: MOTOR WITH EMBEDDED RECHARGEABLE LITHIUM ION BATTERY (DEFAULT OPTION)		
A2	PLUG-IN CHARGER FOR SONESSE 30 WIREFREE MOTOR ◆ Required for recharging.	INCLUDED 1 PER ORDER: CACMBQ
OPTION B FOR MB150RTS MOTOR: MOTORS TO RELOADABLE BATTERY WAND		
B2	RELOADABLE BATTERY WAND KIT ◆ Includes (1) 18" reloadable Battery Wand, 8 AA Lithium Batteries, wiring and mounting brackets.	INCLUDED WITH MOTOR: BWS-RLD-WB
REQUIRED FOR CONTROL		
3	RTS CONTROLS ◆ At least one control is required for motors to operate.	MULTIPLE OPTIONS AVAILABLE. SEE "RTS CONTROLS" FOR ALL OPTIONS
SEE "RTS ADDITIONAL CONTROL OPTIONS" FOR MORE ADVANCED SYSTEM CONTROLS NOT SHOWN HERE.		



ADDITIONAL INFORMATION		PART #
1	MotoRISE® SHADING SYSTEM ◆ Option for MotoRIse System Model MR150.	SEE MOTORISE SYSTEM DATA SHEETS FOR SHADING SYSTEM INFORMATION
2	24V DC POWER CABLE ◆ 2 Conductor ◆ 16 Gauge	INCLUDED WITH MOTOR: 7.5' LENGTH MLMDQ
3	AC POWER OUTLET ◆ 120 V	<i>BY OTHERS (REQUIRED)</i>
REQUIRED FOR POWER: CHOOSE OPTION A OR B		
OPTION A: MOTORS TO POWER OUTLET (DEFAULT OPTION)		
A4	24V DC SINGLE MOTOR POWER SUPPLY ◆ Attached lead is 5' (60")	INCLUDED WITH MOTOR: PS24MDQ
OPTION B: MOTORS TO POWER PANEL		
B4	24V DC POWER DISTRIBUTION PANEL ◆ 18" x 18" enclosure box contains 24V DC transformer, and distribution panel for 1-10 motors.	SOLD SEPARATELY: PDMDQ-10
REQUIRED FOR CONTROL		
5	RTS CONTROLS ◆ At least one control is required for motors to operate.	MULTIPLE OPTIONS AVAILABLE. SEE "RTS CONTROLS" FOR ALL OPTIONS
SEE "RTS ADDITIONAL CONTROL OPTIONS" FOR MORE ADVANCED SYSTEM CONTROLS NOT SHOWN HERE.		

{T} 877.294.3580 • {F} 516.294.0444



{E} info@WTShade.com • 77 Second Avenue • Garden City Park, New York 11040



For CAD wiring schematics for this system and others, please visit WTShade.com

MotoRISE® RTS COMMUNICATION (LINE VOLTAGE)

APPLIES TO MR250 & MR350 SHADING SYSTEMS

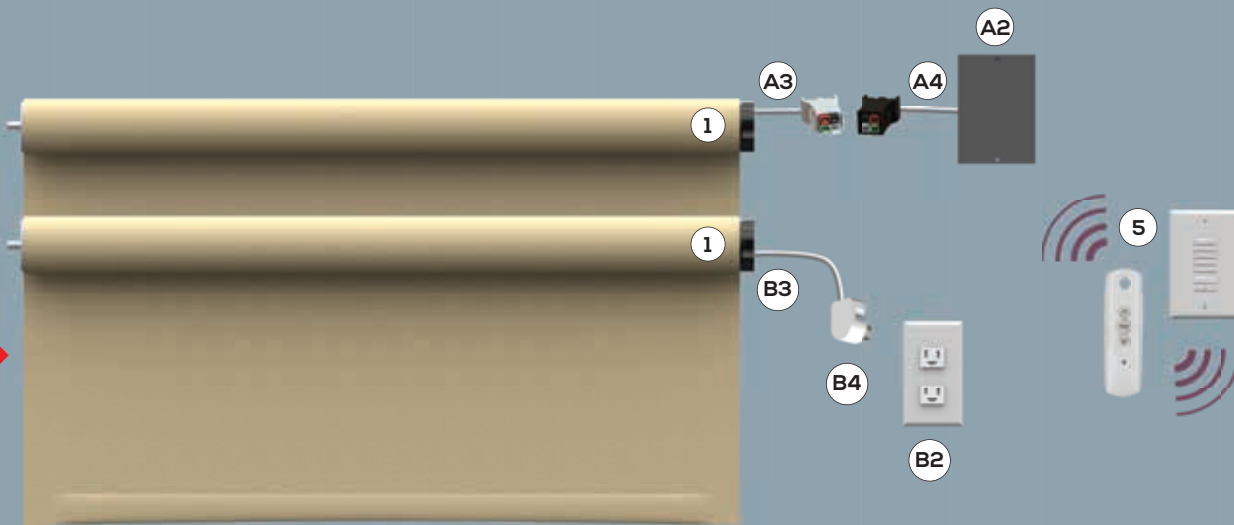
Garden City Park, New York 11040

MOTORISE®

(T) 877.294.3580 • (F) 516.294.0444 • (E) info@WTShade.com • 77 Second Avenue



WIRING FOR 120V MOTORS



ADDITIONAL INFORMATION		PART #			
1 MotoRISE® SHADING SYSTEM	◆ Option for MotoRIse System Models MR250 & MR350	SEE MOTORISE SYSTEM DATA SHEETS FOR SHADING SYSTEM INFORMATION			
REQUIRED FOR POWER: CHOOSE OPTION A OR B					
OPTION A: MOTORS TO J-BOX (DEFAULT OPTION)					
A2 J-BOX	◆ 120 V	BY OTHERS (REQUIRED)			
A3 120V AC MOTOR LEAD W/ MALE ANDERSON PLUG	◆ 3 Conductor RED = NOT USED BLACK = HOT WHITE = NEUTRAL GREEN = GROUND	INCLUDED WITH MOTOR: 1.25' LENGTH MLRTS-M/I-1.25	SOLD SEPARATELY: 3' LENGTH MLRTS-M/I-3		
A4 120V AC J-BOX LEAD** W/ FEMALE ANDERSON PLUG	◆ 4 Conductor RED = NOT USED BLACK = HOT WHITE = NEUTRAL GREEN = GROUND	INCLUDED WITH MOTOR: 5' LENGTH MLS-F/O-5	SOLD SEPARATELY: 10' LENGTH MLS-F/O-10	SOLD SEPARATELY: 15' LENGTH MLS-F/O-15	SOLD SEPARATELY: 25' LENGTH MLS-F/O-25
OPTION B: MOTORS TO POWER OUTLET					
B2 AC POWER OUTLET	◆ 120 V	BY OTHERS (REQUIRED)			
B3 120V AC MOTOR LEAD NO CONNECTOR	◆ 3 Conductor BLACK = HOT GREEN = GROUND WHITE = NEUTRAL	SOLD SEPARATELY: 6' LENGTH MLRTS-I/O-6	SOLD SEPARATELY: 12' LENGTH MLRTS-I/O-12	SOLD SEPARATELY: 18' LENGTH MLRTS-I/O-18	SOLD SEPARATELY: 24' LENGTH MLRTS-I/O-24
B4 3 PRONG PLUG	◆ Use with any length MLRTS-I/O-X* to power one single motor directly from any power outlet. Ships unattached.	SOLD SEPARATELY: MP-RTS			
REQUIRED FOR CONTROL					
5 RTS CONTROLS	◆ At least one control is required for motors to operate.	MULTIPLE OPTIONS AVAILABLE. SEE "RTS CONTROLS" FOR ALL OPTIONS			
SEE "RTS ADDITIONAL CONTROL OPTIONS" FOR MORE ADVANCED SYSTEM CONTROLS NOT SHOWN HERE.					



*Replace "X" with desired length when ordering.
**Plenum rated cable available. Please contact WT Shade.
For CAD wiring schematics for this system and others, please visit WTShade.com



RTS FEATURES

- ◆ Completely wireless communication including the use of hand held remotes, wall switches, timers, and sensors.
- ◆ Available with 12V**, 24V, and 120V motor options.
- ◆ Integrate with most Automation Systems through RS232, RS485, or Dry Contact (requires interface).
- ◆ Simple electrical wiring.
- ◆ Multichannel capabilities.
- ◆ Control all motors individually and/or by groups with one or many controllers.
- ◆ Up to 65' range between motor and wireless control.
- ◆ Rolling radio code for reduced interference with other radio products. (Radio Frequency: 433.42MHz)
- ◆ Electronic Limit Setting and simple programming.

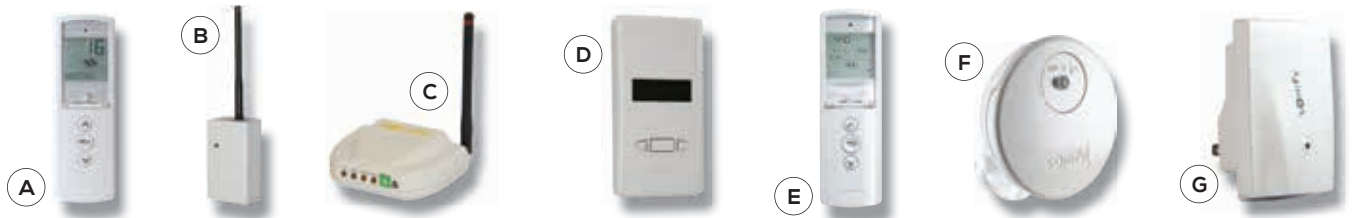


5 RTS CONTROLS Select at least one. Each sold separately.

BASIC CONTROL OPTIONS (REQUIRED FOR CONTROL & PROGRAMMING)

	TELIS HAND-HELD REMOTE CONTROL	◆ Available in White (-10), Silver (-20), and Black (-90).
	1 CHANNEL RFX1-XX*	5 CHANNEL RFX5-XX*
	DECOFLEX WIRELESS WALL SWITCH	◆ Switch Plates included. ◆ Available in White (-10), Ivory (-04), and Black (-90). ◆ Preprinted or custom engraved buttons available.
	1 CHANNEL RFW1-XX*	5 CHANNEL RFW5-XX*

RTS ADDITIONAL CONTROL OPTIONS Optional. Each sold separately.		PART #
A	TELIS 16 REMOTE CONTROL ◆ Available in White (-10), and Silver (-20). ◆ Digital on-screen display for 16 Channel control.	RFX16-XX*
B	RTS REPEATER ◆ Use to extend RTS signal or bypass interference. ◆ No programming required. ◆ One per installation.	RTSREP
C	UNIVERSAL RTS INTERFACE ◆ 16 Channels. ◆ Enable control of RTS motors through 3rd party control systems through RS232 or RS485.	AVURTSI
D	RTS TO Z-WAVE INTERFACE ◆ 16 Channels. ◆ Enable control of RTS motors through 3rd party control systems using Z-Wave.	AVZRTSI
E	TELIS 1 CHRONIS TIMER ◆ Allows one scheduled open and one close function per day with different scheduled operations for weekends and weekdays. ◆ Available in White (-10), or Silver (-20).	RFTMI-XX*
F	SUN & TEMP SENSOR ◆ Allows for automatic operation based on levels of sunlight or temperature of the room. ◆ For indoor use only.	SUNRTS-INT
G	SOMFY myLink™ ◆ Adds control for up to 5 RTS channels from iOS and Android devices. ◆ Allows for the creation of scenes along with timed or scheduled events. ◆ Remote access.	AVWIFI
N/A	DRY CONTACT RTS INTERFACE ◆ Use to integrate with automation or building management systems through dry contact. ◆ For indoor use only.	AVIDCT



*Replace "XX" with desired color number when ordering.
**Battery powered.



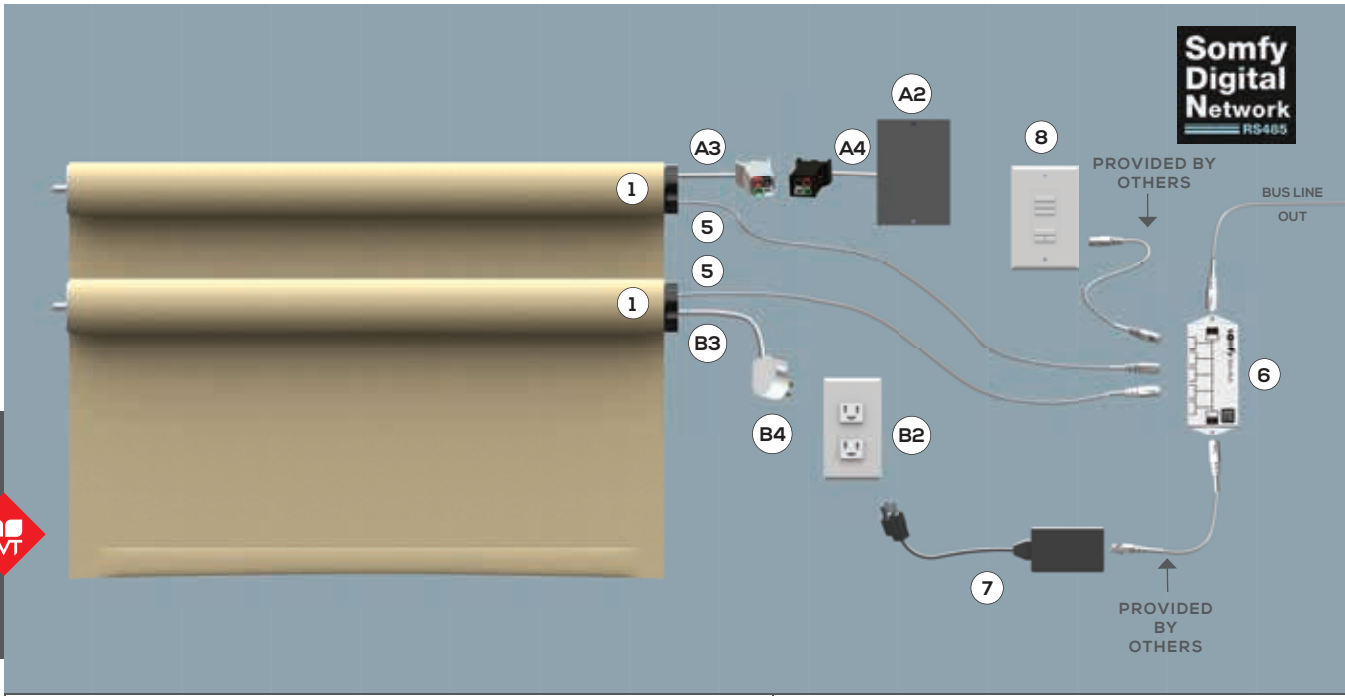
MotoRISE[®] DIGITAL COMMUNICATION (LINE VOLTAGE)

APPLIES TO MR250 & MR350 SHADING SYSTEMS

Garden City Park, New York 11040

MOTORISE[®]

(T) 877.294.3580 • (F) 516.294.0444 • (E) info@WTShade.com • 77 Second Avenue



ADDITIONAL INFORMATION		PART #			
1	MotoRISE [®] SHADING SYSTEM ♦ Option for MotoRIse System Models MR250 and MR350	SEE MOTORISE SYSTEM DATA SHEETS FOR SHADING SYSTEM INFORMATION			
REQUIRED FOR POWER: CHOOSE OPTION A OR B					
OPTION A: MOTORS TO J-BOX (DEFAULT OPTION)					
A2	J-BOX ♦ 120 V	BY OTHERS (REQUIRED)			
A3	120V AC MOTOR LEAD W/ MALE ANDERSON PLUG ♦ 3 Conductor RED = NOT USED BLACK = HOT WHITE = NEUTRAL GREEN = GROUND	INCLUDED WITH MOTOR: 1.25' LENGTH MLRTS-M/I-1.25	SOLD SEPARATELY: 3' LENGTH MLRTS-M/I-3		
A4	120V AC J-BOX LEAD** W/ FEMALE ANDERSON PLUG RED = NOT USED BLACK = HOT WHITE = NEUTRAL GREEN = GROUND ♦ 4 Conductor	INCLUDED WITH MOTOR: 5' LENGTH MLS-F/O-5	SOLD SEPARATELY: 10' LENGTH MLS-F/O-10	SOLD SEPARATELY: 15' LENGTH MLS-F/O-15	SOLD SEPARATELY: 25' LENGTH MLS-F/O-25
OPTION B: MOTORS TO POWER OUTLET					
B2	AC POWER OUTLET ♦ 120 V	BY OTHERS (REQUIRED)			
B3	120V AC MOTOR LEAD NO CONNECTOR BLACK = HOT GREEN = GROUND WHITE = NEUTRAL ♦ 3 Conductor	SOLD SEPARATELY: 6' LENGTH MLRTS-I/O-6	SOLD SEPARATELY: 12' LENGTH MLRTS-I/O-12	SOLD SEPARATELY: 18' LENGTH MLRTS-I/O-18	SOLD SEPARATELY: 24' LENGTH MLRTS-I/O-24
B4	3 PRONG PLUG ♦ Use with any length MLRTS-I/O-X* to power one single motor directly from any power outlet. Ships unattached.	SOLD SEPARATELY: MP-RTS			
REQUIRED FOR BASIC CONTROL					
5	RJ9 TO RJ45 MOTOR COMMUNICATION CABLE ♦ See Reverse for Pin-out information.	INCLUDED WITH MOTOR: 2.5' LENGTH ILT3MOD-2.5	SOLD SEPARATELY: 8' LENGTH ILT3MOD-8	SOLD SEPARATELY: 12' LENGTH ILT3MOD-12	SOLD SEPARATELY: 24' LENGTH ILT3MOD-24
6	DATA HUB ♦ Adds 5 device ports to the SDN bus line. Distance to bus line must not exceed 200ft.	SOLD SEPARATELY: ILT3DH			
7	BUS POWER SUPPLY ♦ 24V DC. Provides up to 80 power units on the SDN bus.	SOLD SEPARATELY: ILTPS			
8	DIGITAL CONTROLS ♦ At least one control is required for motors to operate.	MULTIPLE OPTIONS AVAILABLE. SEE "DIGITAL CONTROLS" FOR ALL OPTIONS			
SEE "DIGITAL ADDITIONAL CONTROL OPTIONS" FOR MORE ADVANCED SYSTEM CONTROLS NOT SHOWN HERE					



*Replace "X" with desired length when ordering.
**Plenum rated cable available. Please contact WT Shade.
For CAD wiring schematics for this system and others, please visit WTShade.com


DIGITAL FEATURES

- ◆ Intelligent, programmable motors capable of up to 16 addresses per motor, allowing for a multitude of overlapping group control and individual control options.
- ◆ Offers a fully scalable motor network that can be integrated with 3rd party control systems, building management systems, and audiovisual systems via RS232, RS485 or Dry Contact.
- ◆ Pinpoint accurate shade positioning.
- ◆ Capable of intelligent responses based on current conditions using various sun and temperature sensors.




8 DIGITAL CONTROLS Select at least one. Each sold separately.

BASIC CONTROL OPTIONS (REQUIRED FOR CONTROL)

 <p>DECOFLEX DIGITAL SWITCHES</p>	<ul style="list-style-type: none"> ◆ Each sold individually. ◆ Switch Plates included. ◆ Can be preprogrammed with preset intermediate positions. ◆ Preprinted or custom engraved buttons available. ◆ Available in White (-10), Ivory (-04), and Black (-90). 	
	<table border="1"> <tr> <td>6 BUTTON ILTKP-6-XX*</td> <td>8 BUTTON ILTKP-8-XX*</td> </tr> </table>	6 BUTTON ILTKP-6-XX*
6 BUTTON ILTKP-6-XX*	8 BUTTON ILTKP-8-XX*	

INSTALLATION TOOLS (REQUIRED FOR PROGRAMMING)

 <p>RS485 LIMIT SETTING TOOL</p>	<ul style="list-style-type: none"> ◆ Motors require a Limit Setting Tool for the initial set up and programming during installation. ◆ May be reused for future installations.
	<p>ILT3-LIMTOOL</p>

DIGITAL ADDITIONAL CONTROL OPTIONS Optional. Each sold separately.			PART #
(A) EXTENDER	<ul style="list-style-type: none"> ◆ Use to extend the size of any system by allowing longer wiring lengths or adding additional devices. ◆ Supports 255 devices and 4000 ft. of bus wiring per segment and supplies up to 100 powered units. 		ILT3EXT
(B) SOMFY CONNECT™ UAI PLUS	<ul style="list-style-type: none"> ◆ Allows for integration between third party automation systems over IP/Ethernet. ◆ Embedded motor commissioning software ◆ RS232. RS485 Out. 		ILT3UAI
(C) SOMFY CONNECT™ LTI	<ul style="list-style-type: none"> ◆ Integrates with RadioRA® 2, HomeWorks® QS, Quantum®, and GRAFIK Eye® QS systems. ◆ Features a built in real-time clock for scheduled events. ◆ RS232 integration connection point, RS485 connection port, and 3.5 mm female barrel connector power input. 		AVISCL
(D) SOMFY CONNECT™ BMS INTERFACE	<ul style="list-style-type: none"> ◆ Allows for integration between third party building management systems using Modbus, BACnet MS/TP, and BACnet IP ◆ Supports up to 1500 data points. 		ILT3BMSI
(E) DATA PANEL	<ul style="list-style-type: none"> ◆ Adds 4 isolated bus segments to an SDN system. ◆ Supports 255 devices and 4000 ft. of bus wiring per segment and supplies up to 100 powered units. ◆ Built-in keypad offers local control over the system from the Data Panel. 		ILT3DP



MotoRISE® WIRED COMMUNICATION (1-2 MOTORS)

APPLIES TO MR250 & MR350 SHADING SYSTEMS

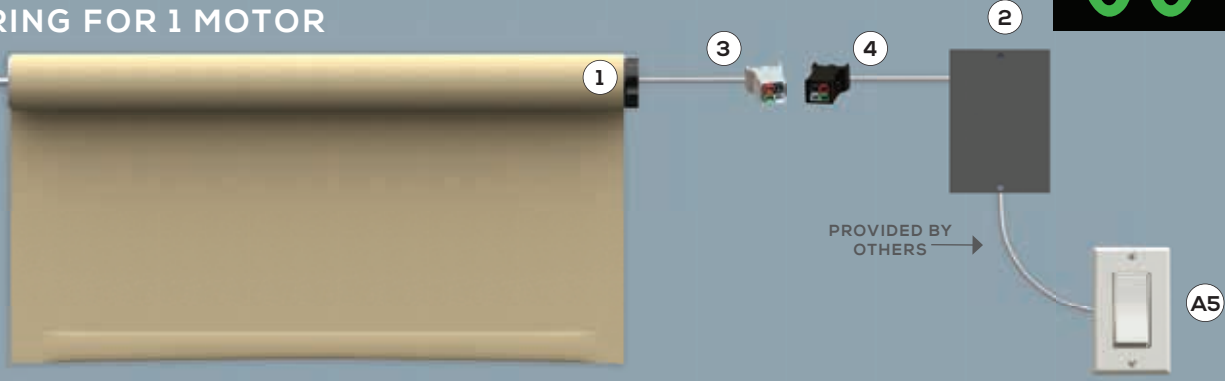
Garden City Park, New York 11040

MOTORISE®

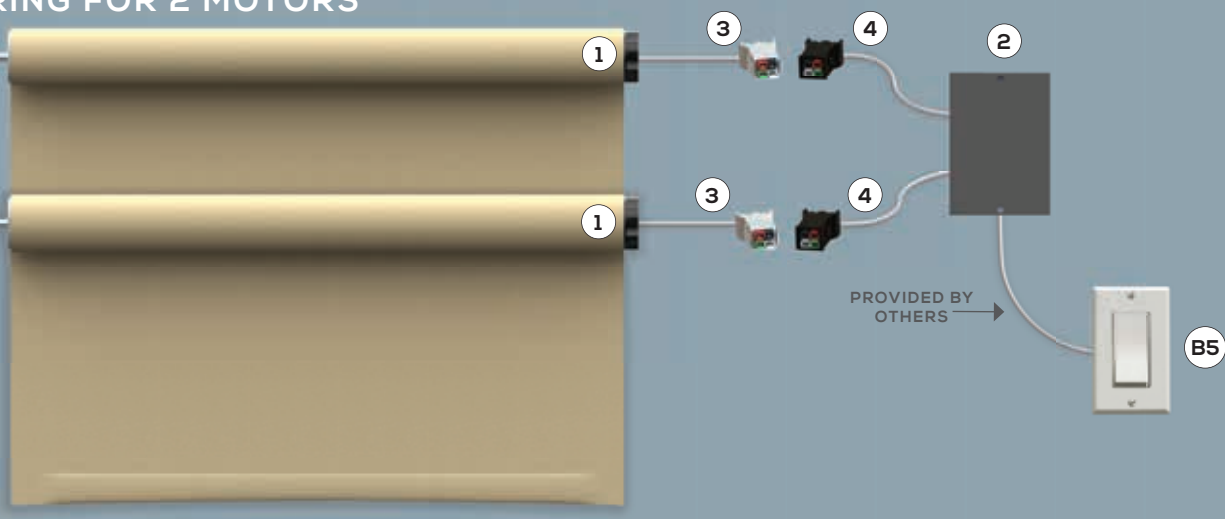
(T) 877.294.3580 • (F) 516.294.0444 • (E) info@WTShade.com • 77 Second Avenue



WIRING FOR 1 MOTOR



WIRING FOR 2 MOTORS



ADDITIONAL INFORMATION		PART #				
1	MotoRISE® SHADING SYSTEM	◆ Option for MotoRIse System Models MR250 & MR350	SEE MOTORISE SYSTEM DATA SHEETS FOR SHADING SYSTEM INFORMATION			
REQUIRED FOR POWER						
2	J-BOX	◆ 120 V	BY OTHERS (REQUIRED)			
3	120V AC MOTOR LEAD W/ MALE ANDERSON PLUG	◆ 4 Conductor RED = DIRECTION 1* BLACK = DIRECTION 2* WHITE = NEUTRAL GREEN = GROUND	INCLUDED WITH MOTOR: 1' LENGTH MLS-M/I-1	SOLD SEPARATELY: 3' LENGTH MLS-M/I-3		
4	120V AC J-BOX LEAD** W/ FEMALE ANDERSON PLUG	◆ 4 Conductor RED = DIRECTION 1* BLACK = DIRECTION 2* WHITE = NEUTRAL GREEN = GROUND	INCLUDED WITH MOTOR: 5' LENGTH MLS-F/O-5	SOLD SEPARATELY: 10' LENGTH MLS-F/O-10	SOLD SEPARATELY: 15' LENGTH MLS-F/O-15	SOLD SEPARATELY: 25' LENGTH MLS-F/O-25
REQUIRED FOR CONTROL: CHOOSE OPTION A OR B						
OPTION A: FOR 1 MOTOR TO A SWITCH						
A5	SPDT SWITCH	◆ At least one control is required for motors to operate.	SOLD SEPARATELY. MULTIPLE OPTIONS AVAILABLE. SEE "SPDT SWITCH OPTIONS" FOR ALL OPTIONS			
OPTION B: FOR 1-2 MOTORS TO A SWITCH						
B5	DPDT SWITCH	◆ At least one control is required for motors to operate.	SOLD SEPARATELY. MULTIPLE OPTIONS AVAILABLE. SEE "DPDT SWITCH OPTIONS" FOR ALL OPTIONS			



*RED/BLACK connection may be reversed based on Drive Side and Roll Direction.
 **Plenum rated cable available. Please contact WT Shade.
 For CAD wiring schematics for this system and others, please visit WTShade.com

WIRED FEATURES



- ◆ The traditional and most common method for motor control: a switch directly connected to 1-2 motors via electrical wires embedded into the wall.
- ◆ The most reliable Communication. No interference.
- ◆ Compatible with any SPDT or DPDT Switch (Decora, Rocker, Toggle or Key Switch).
- ◆ Quick and easy limit setting. No tools required.
- ◆ Perfect solution for a stand alone application where no integration is required.

A5 SPDT SWITCH OPTIONS FOR 1 MOTOR ONLY. Each sold separately.						
	SPDT DECORA SWITCH	<ul style="list-style-type: none"> ◆ Switch Plates sold separately. ◆ Available in White (-10), and Ivory (-04). 				
	MAINTAINED SWD1A-XX*	MOMENTARY SWD1B-XX*		DECORA SWITCH PLATE <ul style="list-style-type: none"> ◆ Available in White (-10), and Ivory (-04). 		
			<table border="1"> <tr> <td>1 GANG: SPD1-XX*</td> <td>2 GANG: SPD2-XX*</td> <td>3 GANG: SPD3-XX*</td> </tr> </table>	1 GANG: SPD1-XX*	2 GANG: SPD2-XX*	3 GANG: SPD3-XX*
1 GANG: SPD1-XX*	2 GANG: SPD2-XX*	3 GANG: SPD3-XX*				
	SPDT TOGGLE SWITCH	<ul style="list-style-type: none"> ◆ Switch Plates sold separately. ◆ Maintained switch available in White(-10), and Ivory (-04). ◆ Momentary switch available in White (-10) only. 				
	MAINTAINED SWT1A-XX*	MOMENTARY SWT1B-10		TOGGLE SWITCH PLATE <ul style="list-style-type: none"> ◆ Available in White (-10), and Ivory (-04). 		
			<table border="1"> <tr> <td>1 GANG: SPT1-XX*</td> <td>2 GANG: SPT2-XX*</td> <td>3 GANG: SPT3-XX*</td> </tr> </table>	1 GANG: SPT1-XX*	2 GANG: SPT2-XX*	3 GANG: SPT3-XX*
1 GANG: SPT1-XX*	2 GANG: SPT2-XX*	3 GANG: SPT3-XX*				
B5 DPDT SWITCH OPTIONS FOR 1-2 MOTORS ONLY. Each sold separately.						
	DPDT DECORA SWITCH	<ul style="list-style-type: none"> ◆ Switch Plates sold separately. ◆ Available in White (-10), and Ivory (-04). 				
		MAINTAINED SWD2A-XX*		DECORA SWITCH PLATE <ul style="list-style-type: none"> ◆ Available in White (-10), and Ivory (-04). 		
			<table border="1"> <tr> <td>1 GANG: SPD1-XX*</td> <td>2 GANG: SPD2-XX*</td> <td>3 GANG: SPD3-XX*</td> </tr> </table>	1 GANG: SPD1-XX*	2 GANG: SPD2-XX*	3 GANG: SPD3-XX*
1 GANG: SPD1-XX*	2 GANG: SPD2-XX*	3 GANG: SPD3-XX*				
	DPDT ROCKER SWITCH	<ul style="list-style-type: none"> ◆ Switch Plates included. ◆ Available in White (-10), and Ivory (-04). 				
	MAINTAINED SWRKA-XX*	MOMENTARY SWRKB-XX*		ROCKER SWITCH PLATE <ul style="list-style-type: none"> ◆ 1 & 2 Gang available in White (-10), and Ivory (-04). ◆ 3 Gang available in White (-10) only. 		
			<table border="1"> <tr> <td>1 GANG: SPR1-XX*</td> <td>2 GANG: SPR2-XX*</td> <td>3 GANG: SPR3-10</td> </tr> </table>	1 GANG: SPR1-XX*	2 GANG: SPR2-XX*	3 GANG: SPR3-10
1 GANG: SPR1-XX*	2 GANG: SPR2-XX*	3 GANG: SPR3-10				
	DPDT KEY SWITCH	<ul style="list-style-type: none"> ◆ Switch Plates included. ◆ Available in Champagne (-41) only. 				
	MAINTAINED SWK2A-41	MOMENTARY SWK2B-41				

*Replace "XX" with desired color number when ordering.

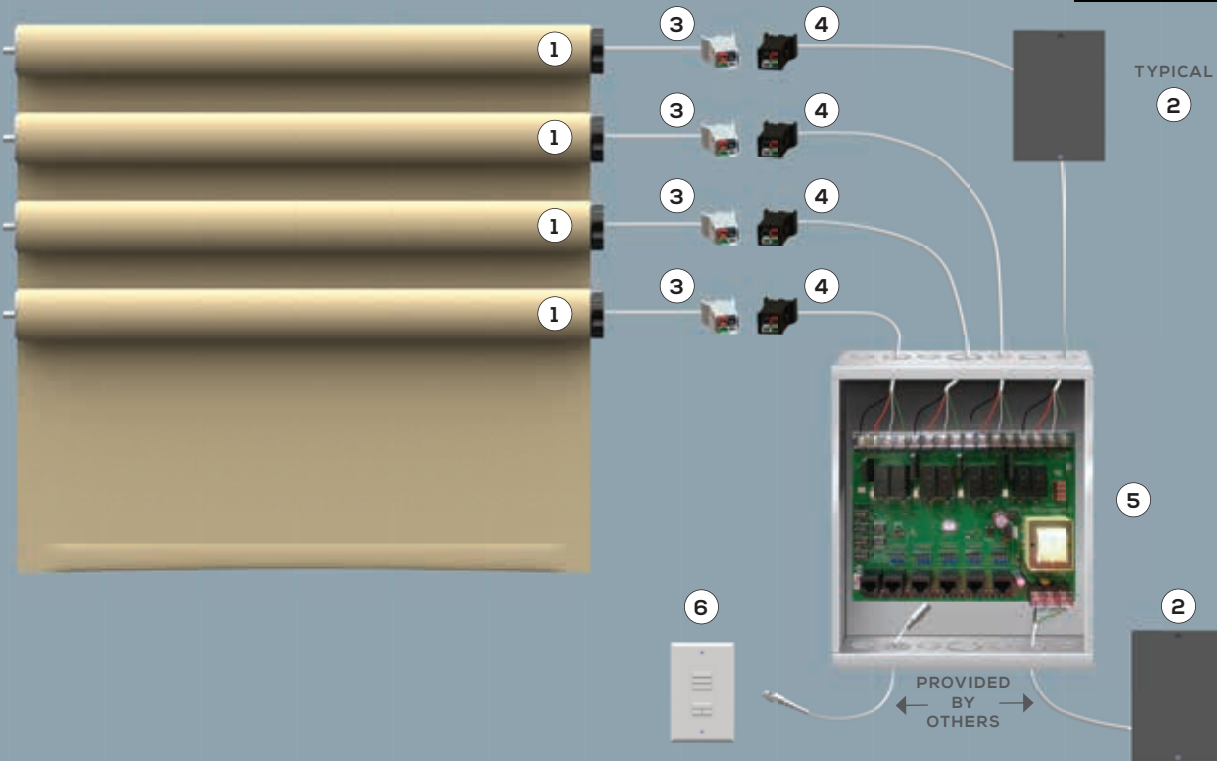


MotoRISE® WIRED COMMUNICATION (3+ MOTORS)

APPLIES TO MR250 & MR350 SHADING SYSTEMS

WIRING FOR 3+ MOTORS

WIRED TECHNOLOGY



ADDITIONAL INFORMATION		PART #				
1	MotoRISE® SHADING SYSTEM	◆ Option for MotoRIse System Models MR250 & MR350	SEE MOTORISE SYSTEM DATA SHEETS FOR SHADING SYSTEM INFORMATION			
2	J-BOX	◆ 120 V	BY OTHERS (REQUIRED)			
3	120V AC MOTOR LEAD W/ MALE ANDERSON PLUG	◆ 4 Conductor RED = DIRECTION 1* BLACK = DIRECTION 2* WHITE = NEUTRAL GREEN = GROUND	INCLUDED WITH MOTOR: 1' LENGTH MLS-M/I-1	SOLD SEPARATELY: 3' LENGTH MLS-M/I-3		
4	120V AC J-BOX LEAD*** W/ FEMALE ANDERSON PLUG	◆ 4 Conductor RED = DIRECTION 1* BLACK = DIRECTION 2* WHITE = NEUTRAL GREEN = GROUND	INCLUDED WITH MOTOR: 5' LENGTH MLS-F/O-5	SOLD SEPARATELY: 10' LENGTH MLS-F/O-10	SOLD SEPARATELY: 15' LENGTH MLS-F/O-15	SOLD SEPARATELY: 25' LENGTH MLS-F/O-25
5	WIRED TECHNOLOGY GROUP CONTROLLER	◆ CSA/UL Certified ◆ Plenum rated	SOLD SEPARATELY: IGC4			
6	DECOFLEX WTGC SWITCH (FOR USE WITH IGC4 ONLY)	◆ Each sold individually. ◆ Switch Plates included. ◆ Preprinted or custom engraved buttons available. ◆ Available in White (-10), Ivory (-04), Almond (-40), and Black (-90).	SOLD SEPARATELY: IGC4KP-XX** 			

WIRED FEATURES

- ◆ Each Group Controller uses CAT5 low voltage wiring to create individual or group control of up to 4 motors from one switch. Multiple Group Controllers can be connected together to control 5+ motors.
- ◆ Provides default intermediate positions of 25%, 50%, and 75% which can be customized for each motor.
- ◆ Quick and easy limit setting and programming. No tools required.
- ◆ Perfect solution for a stand alone application where no integration is required.
- ◆ RTS receiver can be added for wireless control.



*RED/BLACK connection may be reversed based on Drive Side and Roll Direction.
**Replace "XX" with desired color number when ordering.
***Plenum rated cable available. Please contact WT Shade.
For CAD wiring schematics for this system and others, please visit WTShade.com

SPECIALTY SOLUTIONS

NATURAL LIGHT MADE RIGHT[®]



{T} 877.294.3580 • {F} 516.294.0444 • {E} info@WTShade.com

SPECIALTY

77 Second Avenue • Garden City Park, New York 11040

SPECIALTY SHADING SYSTEMS GUIDE

77 Second Avenue • Garden City Park, New York 11040

SPECIALTY

{T} 877.294.3580 • {F} 516.294.0444 • {E} info@WTShade.com

SPECIALTY SHADING SYSTEMS	FASCIA SIZE	DRIVE TYPE			EDGE CLEARANCES			MORE INFO ON PAGE
		MANUAL	MOTORIZED	FIXED	DRIVE	IDLE	TOTAL	
WRAPPED FRAME FIXED PANEL	N/A			◆	1 1/16"	1 1/16"	1 3/8"	D3
BottomRISE™ U200 SoloMOUNT®	3 1/2"	◆			1 1/16"	1 1/16"	1 3/8"	D5
BottomRISE MU150 SoloMOUNT	3 1/2"		◆		1 1/16"	1 1/16"	1 3/8"	D7
HeRISE™ AR250 SoloMOUNT	4 1/2"		◆		1 1/2"	1 1/2"	3"	D9
HeRISE AR250 SLIM	N/A		◆		1 1/2"	1 1/2"	3"	D11
HeRISE AR350 SLIM	N/A		◆		1 1/2"	1 1/2"	3"	D13

SPECIALTY SHADING SYSTEMS	APPLICATION TYPE					MORE INFO ON PAGE
	BOTTOM-UP	SKYLIGHT	INOPERABLE WINDOW	SLOPED WINDOW	HARD-TO-REACH AREA	
WRAPPED FRAME FIXED PANEL			◆	◆	◆	B3
BottomRISE U200 SoloMOUNT	◆	◆	◆	◆		B5
BottomRISE MU150 SoloMOUNT	◆	◆	◆	◆	◆	B7
HeRISE AR250 SoloMOUNT	◆	◆	◆	◆	◆	B9
HeRISE AR250 SLIM	◆	◆	◆	◆	◆	B11
HeRISE AR350 SLIM	◆	◆	◆	◆	◆	B13

WRAPPED FRAME FIXED PANEL

UP TO 32 SQ-FT* OF COVERAGE

*Width or length may not exceed 96"



These systems are designed for use in bottom-up, sloped, or small skylight applications

U200/MU150 SYSTEMS

BOTTOM-UP APPLICATIONS

MODEL#	U200SM-1.5S	U200SM-1.5L
WIDTH	24 1/2"-36 3/8"	36 1/2"-96"
LENGTH	96"	120"

SKYLIGHT APPLICATIONS

MODEL#	U200SM-1.5S	U200SM-1.5L
WIDTH	24 1/2"-36 3/8"	36 1/2"-66"
LENGTH	60"	96"



These systems are designed for use in skylight, sloped or large bottom-up applications

AR250 SYSTEMS

MIN WIDTH	36"	MAX WIDTH	120"
MIN LENGTH	24"	MAX LENGTH	120"

AR350 SYSTEMS

MIN WIDTH	36"	MAX WIDTH	156"
MIN LENGTH	36"	MAX LENGTH	156"

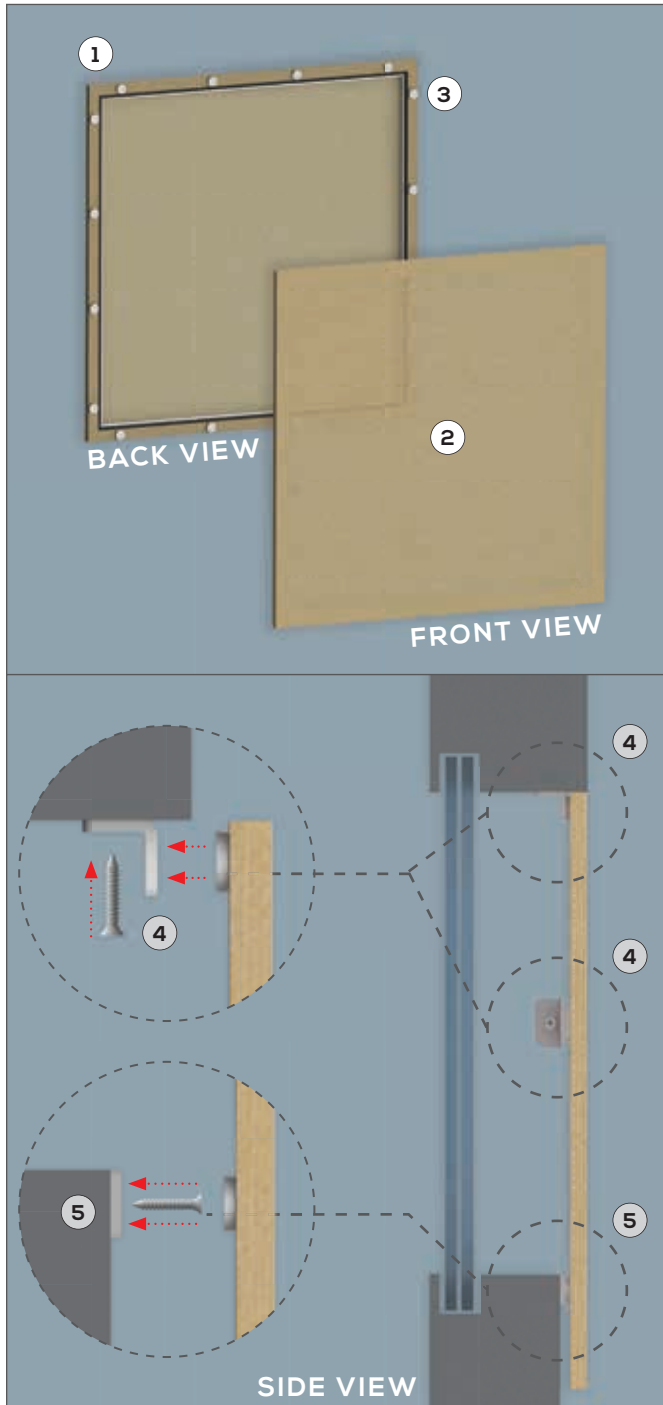
NOTE ABOUT MEASUREMENTS

Width and Length may vary from those listed here, depending on the selected shade fabric. The measurements given above are based on EcoFabrix 253. These measurements are for guideline purposes only and in no way guarantee that a shade with any other fabric can be made to these dimensions.



WRAPPED FRAME FIXED PANEL

STATIONARY FABRIC PANEL WRAPPED ON AN ALUMINUM FRAME



ADDITIONAL INFORMATION			
STANDARD COMPONENTS	①	ALUMINUM FRAME	Standard finish is Mill Finish (-99) as shown.
	②	FABRIC	Available in the full EcoFabrix collection.
	③	STRONG-HOLD MAGNETS	5/8" diameter x 1/8" thickness.
MOUNTING OPTIONS	MOUNTING OPTION A: CEILING/JAMB MOUNT		
	④	FIXED PANEL L-ANGLE	1 1/4" x 3/4" x 1/8" Zinc Plated Steel.
	MOUNTING OPTION B: SURFACE MOUNT		
⑤	FIXED PANEL SURFACE MOUNT PLATE	1 1/4" x 3/4" x 1/8" Zinc Plated Steel.	

SYSTEM FEATURES

- ◆ A non-operable fabric panel that is comprised of your choice of fabric attached to an aluminum frame.
- ◆ Ideal for areas requiring semi-permanent sun protection or hard-to-reach windows.
- ◆ Magnets may be placed at a maximum distance of 24" apart, on center. Additional magnets may be added by request.
- ◆ Non-rectangular Custom Shapes available.
- ◆ Can be easily installed by attaching our Strong-Hold Magnets to any magnetic surface.
- ◆ Vertical installation only. Not recommended for horizontal or skylight windows.
- ◆ Available in the *exclusive* line of sustainable solar protection fabrics by EcoFabrix. To view all available fabrics, visit EcoFabrix.com.
- ◆ 100% Child Safe.
- ◆ May require a template.

SYSTEM CAPABILITIES

UP TO **32 SQ-FT*** OF COVERAGE

*Width or length may not exceed 96"



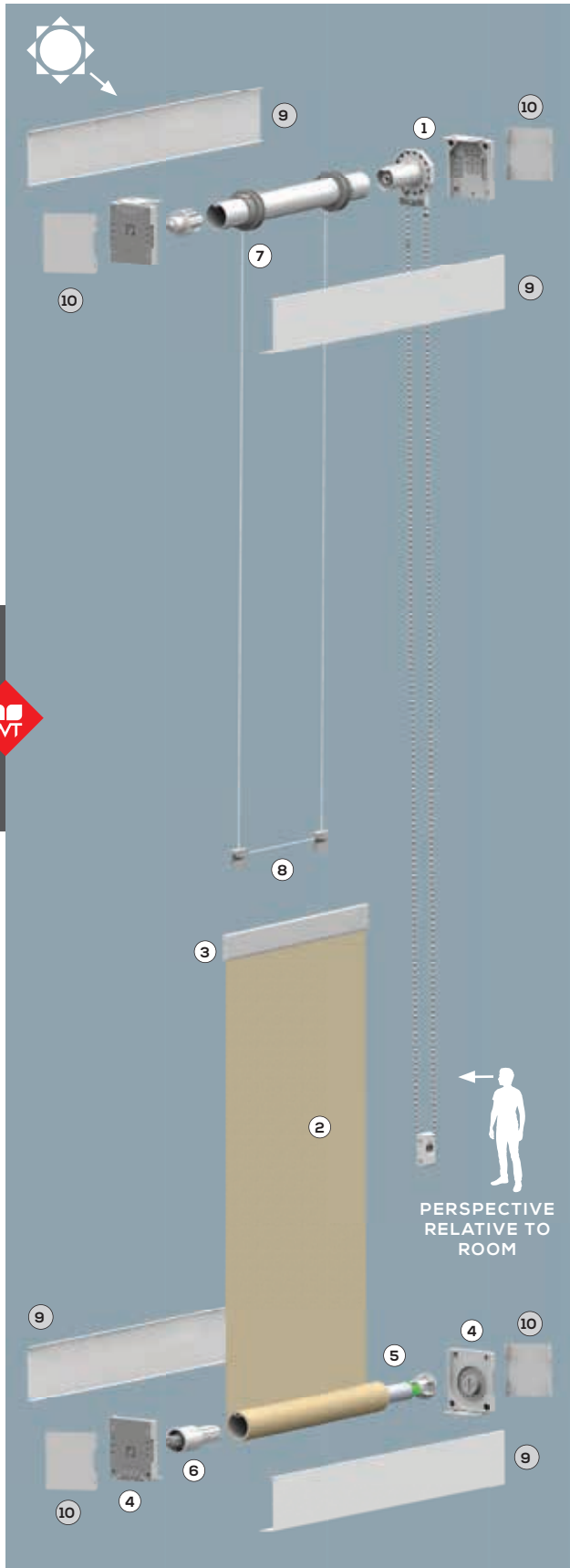
BottomRISE™ U200 SoloMOUNT® SYSTEM

MANUAL BOTTOM-UP/SKYLIGHT ROLLER SHADE • FASCIA COMPATIBLE • SMALL-LARGE SIZE SHADES

77 Second Avenue • Garden City Park, New York 11040

SPECIALTY

{T} 877.294.3580 • {F} 516.294.0444 • {E} info@WTShade.com



STANDARD COMPONENTS		MODELS: U200SM-1.5S U200SM-1.5L
		<u>ADDITIONAL INFORMATION</u>
①	HELIARISE® H200 SoloMOUNT SYSTEM	Comprises Roller Tube, Clutch, Idler, Chain, Child-Safety Hold Down and SoloMount brackets. See Heliarise H200 SoloMount system for additional system information.
②	FABRIC	Available in the full EcoFabrix collection.
③	EXTERNAL HEMBAR	Available in White (-10) as shown, Ivory (-04), Silver (-20), Bronze (-50) or Black (-90). Comes with Standard End*** caps in White (-10) as shown, or Black (-90) and will be color coordinated based on aluminum color.**
④	SoloMOUNT BOTTOM-UP BRACKETS	Can be Ceiling/Jamb or Wall Mounted. Drive Right or Drive Left. Available in White (-10) as shown, or Black (-90) and will be color coordinated based on fabric color.**
⑤	BOTTOM-UP SPRING	Requires BUS Spring Assist Tool (TBS-49) for adjustment.
⑥	HD IDLER (BOTTOM)	Available in White (-10) as shown, or Black (-90) and will be color coordinated based on fabric color.**
⑦	WIRE SPOOL	Can be placed anywhere along the tube. Installs with one set screw. Available in Ivory (-04) only.
⑧	NYLON CORD WITH CABLE GUIDES	14mm. Length of cable provided will coordinate with height of shade. Cable Guides compatible with External Hembar only and available in Mill Finish (-49) only.
OPTIONAL COMPONENTS		
⑨	3.5" FASCIA	Front or Rear Fascia [†] capable. Available in White (-10) as shown, Ivory (-04), Silver (-20), Bronze (-50) or Black (-90). Also available for Reverse Roll.
⑩	END CAPS	Available in White (-10) as shown, Ivory (-04), Silver (-20), Bronze (-50) or Black (-90).
N/A	IDLE CABLE SUPPORT KIT	(Not Shown) REQUIRED FOR SKYLIGHT APPLICATIONS EXCEEDING 3' IN LENGTH. See Guide Systems for more information.
N/A	GUIDE TRACK	(Not Shown) REQUIRED FOR SKYLIGHT APPLICATIONS. Choose between Classic or Blackout Guide Track.*** See Guide Systems for more information.

System shown is Model U200SM-1.5 Drive Right, Regular Roll with Fascia. Brackets shown in Ceiling Mount position.



*Replace "XX" with desired color number when ordering.

**See Color Coordination Guide for more information.

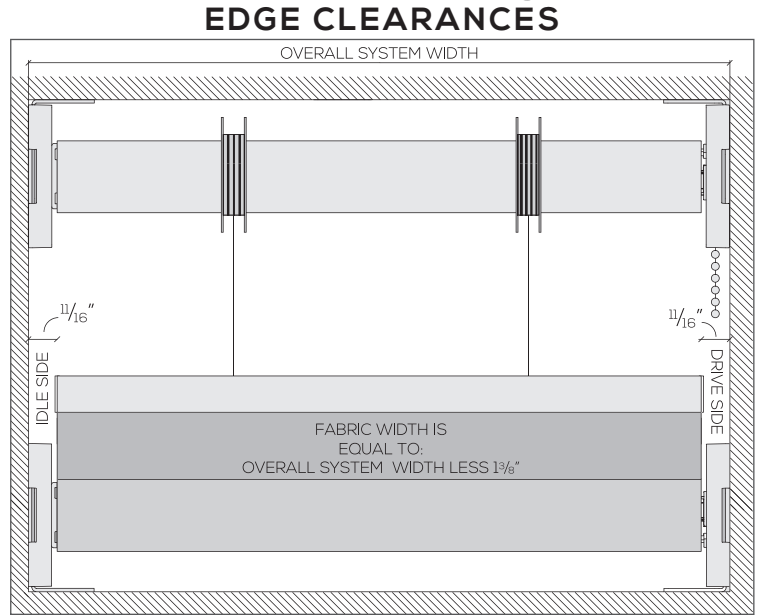
***Single Wheeled End Caps (HCSW-XX*) are required for Guide Track installations.

† Rear Fascia incompatible with Wall Mount installations.

SYSTEM FEATURES

- ◆ Featuring our proprietary, all-in-one **SoloMount Brackets**: Ceiling, Wall or Jamb mount capable allowing easy, on-the-fly adjustments.
- ◆ Available with Front Fascia, Rear Fascia* or Both! Regular and Reverse Roll available. Clutch may be Drive Right or Drive Left.
- ◆ **SoloMount Brackets** are designed to accept fascia at the time of order or at any point in the future.
- ◆ WT Shade clutches features an integrated stainless steel reinforced Chain Diverter and Set-Screw for maximum stability and durability.
- ◆ Metal to metal contact points on both the Drive and Idle sides of the shade ensure a sturdy and reliable connection to the brackets.
- ◆ Some BottomRise components are available in White (-10) and Black (-90). WT Shade will color coordinate based on the selected fabric color. Refer to the *Color Coordination Guide* for more information.
- ◆ Construction Documents for this system and others available at WTShade.com.

*Rear Fascia incompatible with Wall Mount installations.



‡ Deductions will be increased to 1/8" each side for systems with Guide Track

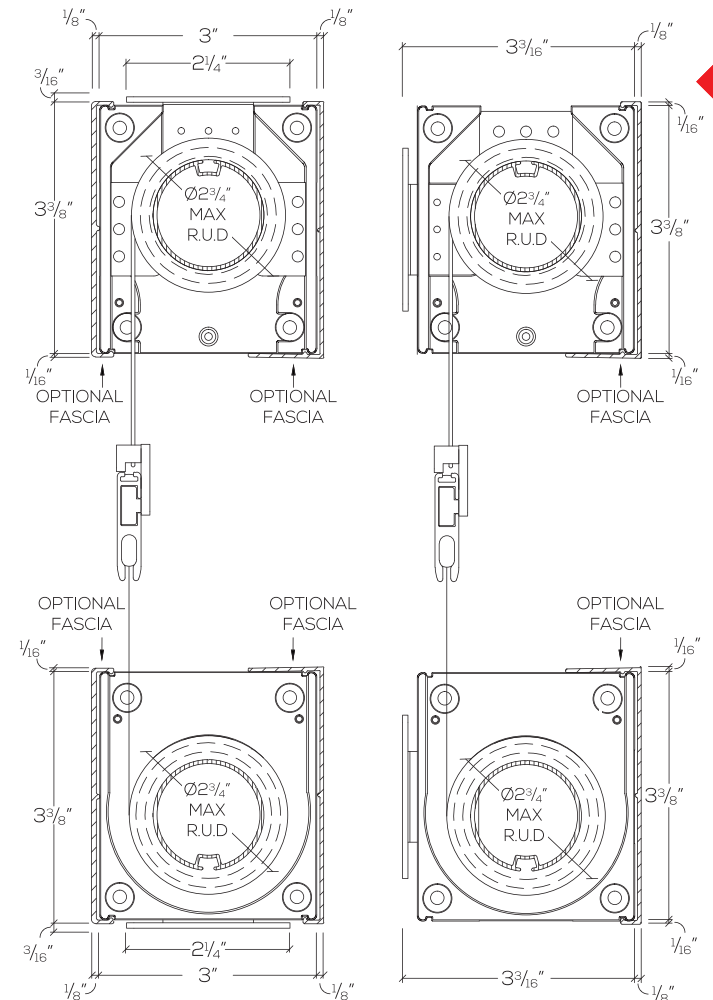
SYSTEM CAPABILITIES

BOTTOM-UP APPLICATIONS		
MODEL#	U200SM-1.5S	U200SM-1.5L
WIDTH	24 1/2" - 36 3/8"	36 1/2" - 96"
LENGTH	96"	120"
Width and Length may vary depending on the selected shade fabric. The measurements given above are based on EcoFabrix 253. These measurements are for guideline purposes only and in no way guarantee that a shade with any other fabric can be made to these dimensions.		
SKYLIGHT APPLICATIONS		
MODEL#	U200SM-1.5S	U200SM-1.5L
WIDTH	24 1/2" - 36 3/8"	36 1/2" - 66"
LENGTH	60"	96"
Width and Length may vary depending on the selected shade fabric. The measurements given above are based on EcoFabrix 253. These measurements are for guideline purposes only and in no way guarantee that a shade with any other fabric can be made to these dimensions.		

SECTION VIEW

CEILING/JAMB MOUNT

WALL MOUNT



WARNING

ADVERTENCIA

Bead Chain can STRANGLE Your Child.

To prevent strangulation, purchase cordless products or products with inaccessible cords.

ANSI/WCMA A100.1-2018

La cuerda ciega de la ventana puede **ESTRANGULAR** su niño.

Para evitar el estrangulamiento, compre alternativas inalámbricas o productos con cables inaccesibles.

THE SoloMount BRACKET®
One bracket... So many possibilities.



BottomRise™
BOTTOM-UP SHADING SYSTEMS



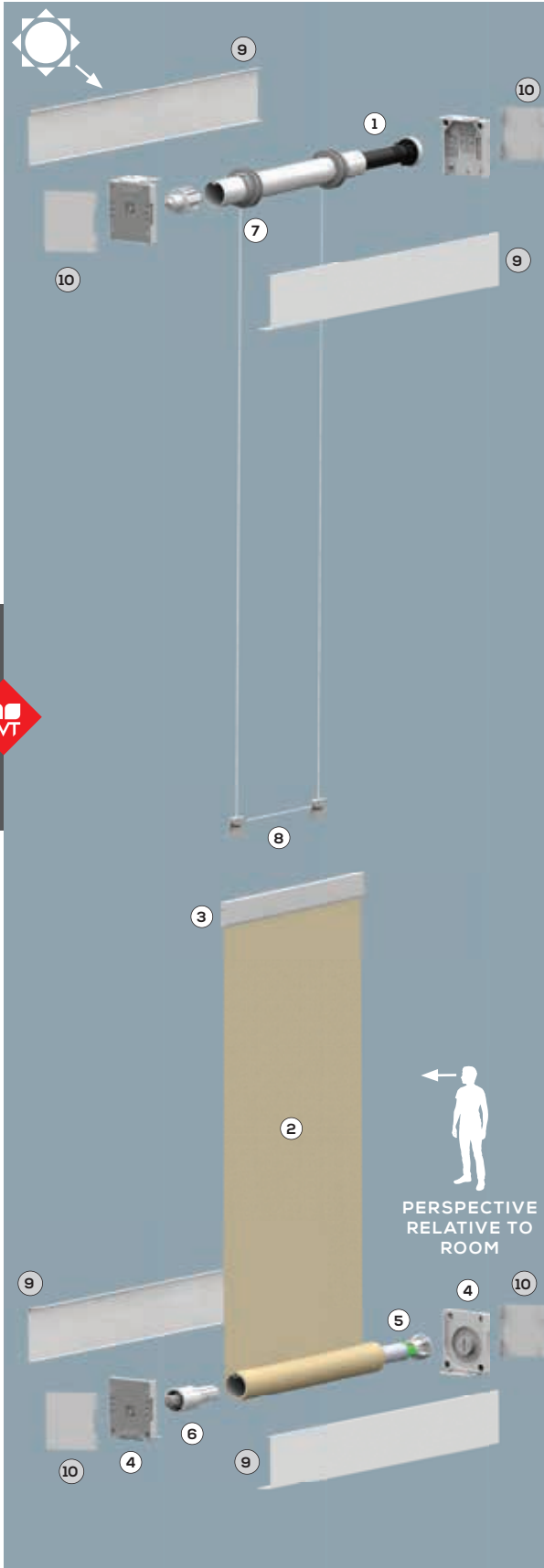
BottomRISE™ MUI50 SoloMount® SYSTEM

MOTORIZED BOTTOM-UP/SKYLIGHT ROLLER SHADE • FASCIA COMPATIBLE • SMALL-MEDIUM SIZE SHADES

77 Second Avenue • Garden City Park, New York 11040

SPECIALTY

{T} 877.294.3580 • {F} 516.294.0444 • {E} info@WTShade.com



STANDARD COMPONENTS		MODELS: MUI50SM-1.5S MUI50SM-1.5L
ADDITIONAL INFORMATION		
①	MOTORISE® MRI50 SoloMount SYSTEM	Comprises Roller Tube, Low Voltage Motor, Idler, and SoloMount brackets. See MotoRIse MRI50 SoloMount system for additional system information.
②	FABRIC	Available in the full EcoFabrix collection.
③	EXTERNAL HEMBAR	Available in White (-10) as shown, Ivory (-04), Silver (-20), Bronze (-50) or Black (-90). Comes with Standard End*** caps in White (-10) as shown, or Black (-90) and will be color coordinated based on aluminum color.**
④	SoloMount BOTTOM-UP BRACKETS	Can be Ceiling/Jamb or Wall Mounted. Drive Right or Drive Left. Available in White (-10) as shown, or Black (-90) and will be color coordinated based on fabric color.**
⑤	BOTTOM-UP SPRING	Requires BUS Spring Assist Tool (TBS-49) for adjustment.
⑥	HD IDLER (BOTTOM)	Available in White (-10) as shown, or Black (-90) and will be color coordinated based on fabric color.**
⑦	WIRE SPOOL	Can be placed anywhere along the tube. Installs with one set screw. Available in Ivory (-04) only.
⑧	NYLON CORD WITH CABLE GUIDES	14mm. Length of cable provided will coordinate with height of shade. Cable Guides compatible with External Hembar only and available in Mill Finish (-49) only.
OPTIONAL COMPONENTS		
⑨	3.5" FASCIA	Front or Rear Fascia† capable. Available in White (-10) as shown, Ivory (-04), Silver (-20), Bronze (-50) or Black (-90). Also available for Reverse Roll.
⑩	END CAPS	Available in White (-10) as shown, Ivory (-04), Silver (-20), Bronze (-50) or Black (-90).
N/A	MOTOR POWER SUPPLY	(Not Shown) See RTS Communication Guide for motor information and wiring.
N/A	MOTOR CONTROL	(Not Shown) SOLD SEPARATELY. See RTS Communication Guide for available control options.
N/A	IDLE CABLE SUPPORT KIT	(Not Shown) REQUIRED FOR SKYLIGHT APPLICATIONS EXCEEDING 3' IN LENGTH. See Guide Systems for more information.
N/A	GUIDE TRACK	(Not Shown) REQUIRED FOR SKYLIGHT APPLICATIONS. Choose between Classic or Blackout Guide Track.*** See Guide Systems for more information.

System shown is Model MUI50SM-1.5 Drive Right, Regular Roll with Front Fascia and Rear Fascia. Brackets shown in Ceiling Mount position.

*Replace "XX" with desired color number when ordering.

**See Color Coordination Guide for more information.

***Single Wheeled End Caps (HCSW-XX*) are required for Guide Track installations.

† Rear Fascia incompatible with Wall Mount installations.

SYSTEM FEATURES

- ◆ Featuring our proprietary, all-in-one **SoloMount Brackets**: Ceiling, Wall or Jamb mount capable allowing easy, on-the-fly adjustments.
- ◆ Available with Front Fascia, Rear Fascia* or Both! Regular and Reverse Roll available. Motors may be Drive Right or Drive Left.
- ◆ **SoloMount Brackets** are designed to accept fascia at the time of order or at any point in the future.
- ◆ Some BottomRise components are available in White (-10) and Black (-90). WT Shade will color coordinate based on the selected fabric color. Refer to the *Color Coordination Guide* for more information.
- ◆ This system uses Low Voltage motors by Somfy. See RTS Communication Guide for motor details.
- ◆ All motors require a Motor Control in order for the shade to operate. All Motor Controls are sold separately. See RTS Communication Guide for Motor Control options and information.
- ◆ All WT Shade roller shades are available in the *exclusive* line of sustainable solar protection fabrics by EcoFabrix. To view all available fabrics, visit EcoFabrix.com.
- ◆ Construction Documents for this system and others available at WTShade.com.

*Rear Fascia incompatible with Wall Mount installations.

SYSTEM CAPABILITIES

BOTTOM-UP APPLICATIONS

MODEL	MU150-1.5S	MU150-1.5L
WIDTH	24½"-36¾"	36½"-96"
LENGTH	96"	120"

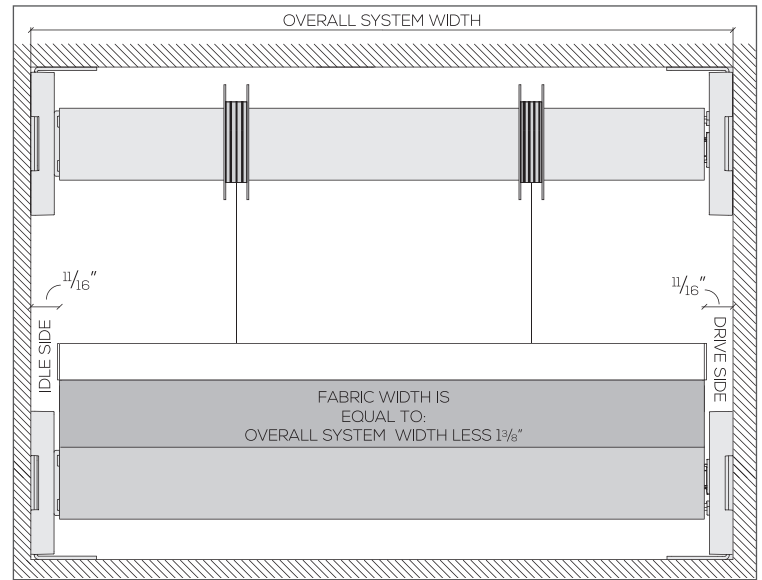
Width and Length may vary depending on the selected shade fabric. The measurements given above are based on EcoFabrix 253. These measurements are for guideline purposes only and in no way guarantee that a shade with any other fabric can be made to these dimensions.

SKYLIGHT APPLICATIONS

MODEL	MU150-1.5S	MU150-1.5L
WIDTH	24½"-36¾"	36½"-66"
LENGTH	60"	96"

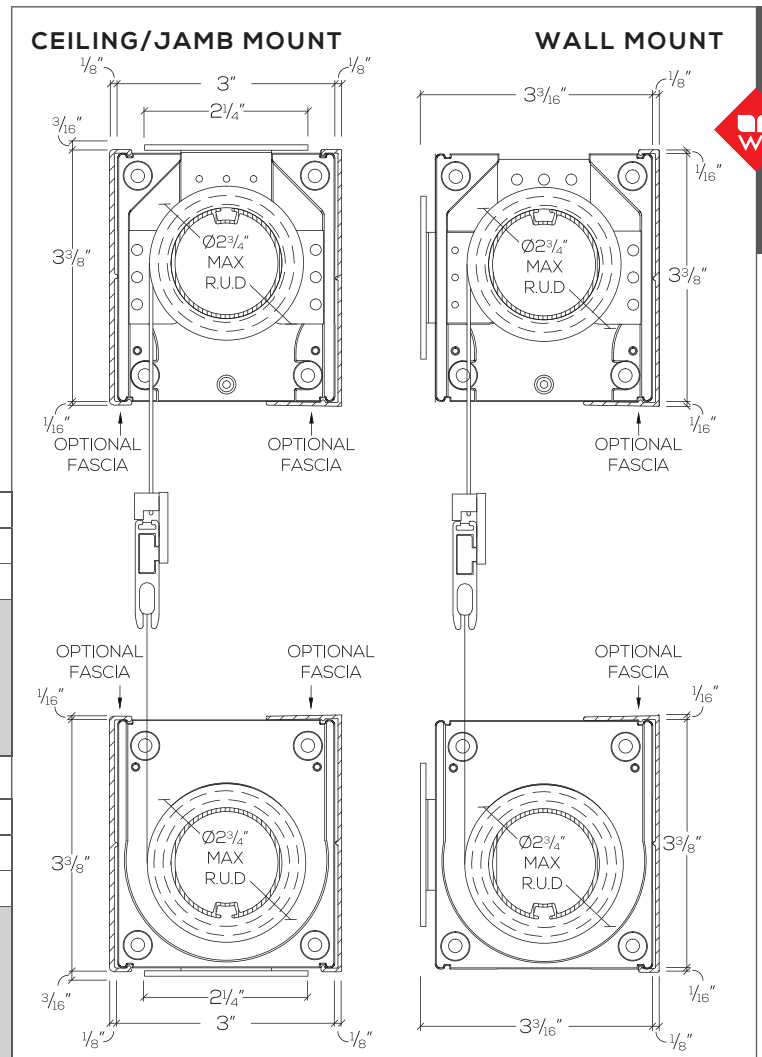
Width and Length may vary depending on the selected shade fabric. The measurements given above are based on EcoFabrix 253. These measurements are for guideline purposes only and in no way guarantee that a shade with any other fabric can be made to these dimensions.

EDGE CLEARANCES



‡ Deductions will be increased to 1½" each side for systems with Guide Track

SECTION VIEW



SPECIALTY

77 Second Avenue • Garden City Park, New York 11040

THE SoloMount BRACKET®
One bracket... So many possibilities.



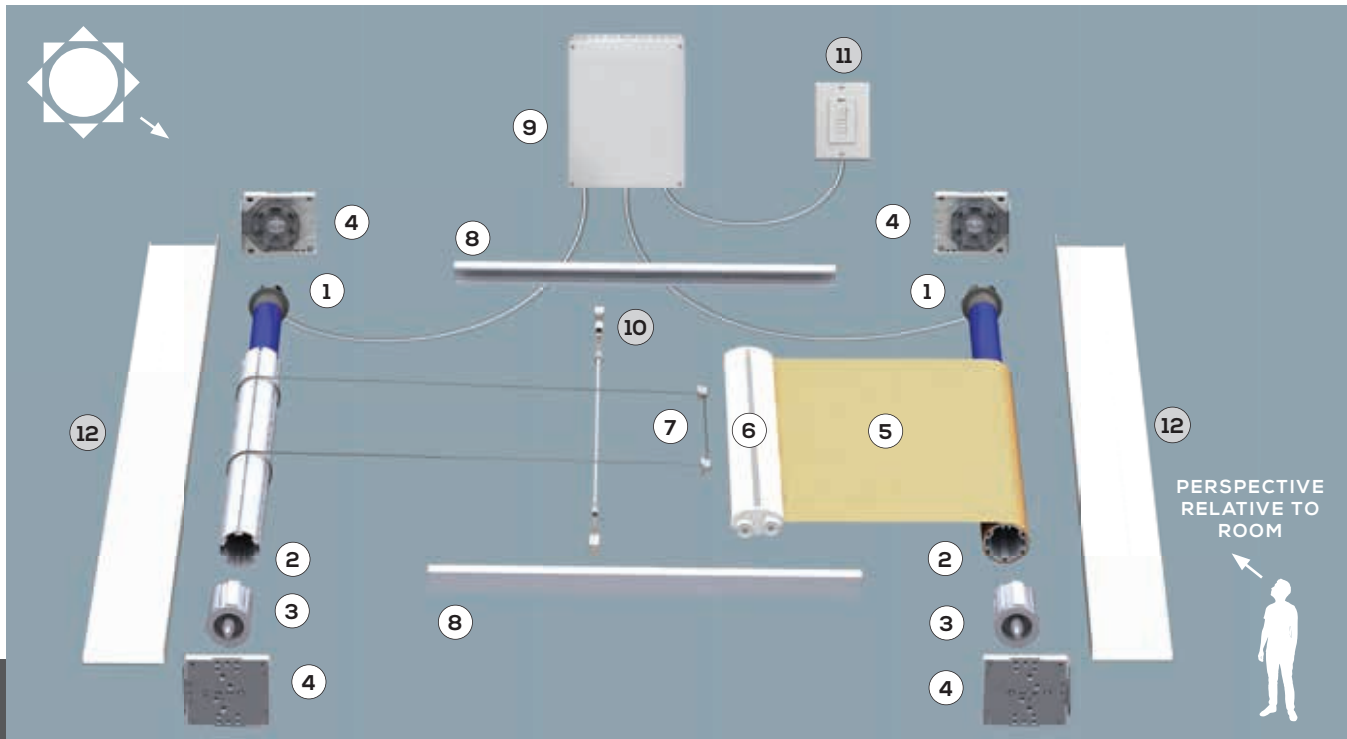
BottomRise™
BOTTOM-UP SHADING SYSTEMS

WT SHADE®
NATURAL LIGHT MADE RIGHT

HeRISE™ AR250 SoloMOUNT® SYSTEM

MOTORIZED SKYLIGHT ROLLER SHADE • FASCIA COMPATIBLE • LINE VOLTAGE • MEDIUM-LARGE SIZE SHADES

77 Second Avenue • Garden City Park, New York 11040



PERSPECTIVE
RELATIVE TO
ROOM



The above system is shown Drive Right, Regular Roll. Brackets shown in Ceiling Mount position*.

MODEL#: AR250SM-2.38

ADDITIONAL INFORMATION

STANDARD COMPONENTS		ADDITIONAL INFORMATION
1	MOTOR WITH ADAPTERS	2 per system. Wired motors only. See Motor Reference Guide for available motors sizes and torque options.
2	ROLLER TUBE	2 per system.
3	HEAVY DUTY IDLER WITH SET PIN	Available in Mill Finish (-99) as shown.
4	SoloMOUNT BRACKETS WITH RETAINER RING	Brackets come in Ceiling or Wall Mounted Positions. Drive Right or Drive Left. Available in White (-10) as shown, or Black (-90) and will be color coordinated based on fabric color.**
5	FABRIC	Available in the full EcoFabrix collection.
6	HEAVY DUTY EXTERNAL HEMBAR	Includes Double Wheel End Caps (HCWHD-10).
7	STAINLESS STEEL CABLE WITH CABLE GUIDES	Length of cable provided will coordinate with height of shade. Cable Guides compatible with Heavy Duty External Hembar only and available in Mill Finish (-49) only.
8	GUIDE TRACK	Available in White (-10) as shown. Choose between Classic Guide Track (GTC-10), as shown, or Heavy Duty Blackout Guide Track (GTHD-10).
9	FTS MOTOR CONTROLLER	Includes 1 per system.
10	IDLE CABLE SUPPORT KIT	REQUIRED FOR APPLICATIONS EXCEEDING 5' IN LENGTH. EACH SOLD SEPARATELY. May require multiple. See Guide Systems for more information.
11	FTS SWITCH	Requires 1 per system. One switch may be used to control more than one system. EACH SOLD SEPARATELY. Contact WT Shade for details.
12	4.5" FASCIA	(OPTIONAL) Front Fascia only. Available in White (-10) as shown, Ivory (-04), Silver (-20), Bronze (-50) or Black (-90). Also available for Reverse Roll.



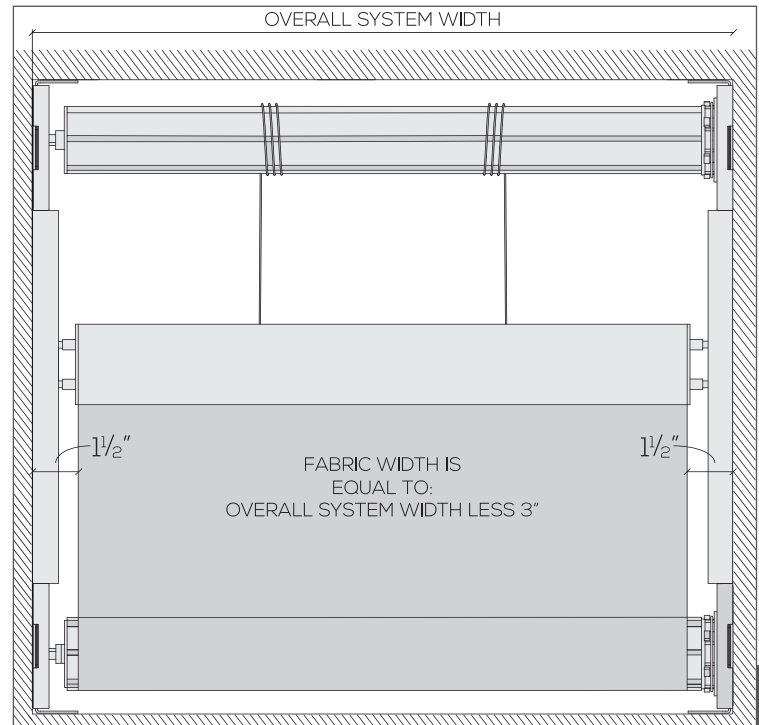
*Drive side and Roll Direction are defined by the perspective and position relative to the room.

**See Color Coordination Guide for more information.

SYSTEM FEATURES

- ◆ Brackets are capable of Ceiling or Wall mounting.
- ◆ Regular or Reverse Roll available. Motors may be Drive Right or Drive Left.
- ◆ All WT Shade roller shades are available in the *exclusive* line of sustainable solar protection fabrics by EcoFabrix. To view all available fabrics, visit EcoFabrix.com.
- ◆ This system uses Wired Line Voltage motors by Somfy. See Motor Reference Guide for compatible motors, or visit Somfy.com for more information.
- ◆ AeRise shades require programming in order for the shade to operate. All Motor Controls are sold separately.
- ◆ Best For Kids Certified! Visit WCMAnet.org for more information.
- ◆ Construction Documents for this system and others available at WTShade.com.

EDGE CLEARANCES



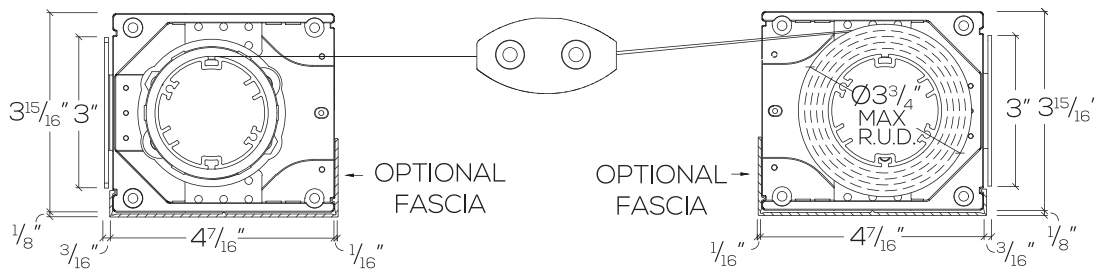
SYSTEM CAPABILITIES

MIN WIDTH	36"	MAX WIDTH	120"
MIN LENGTH	24"	MAX LENGTH	120"

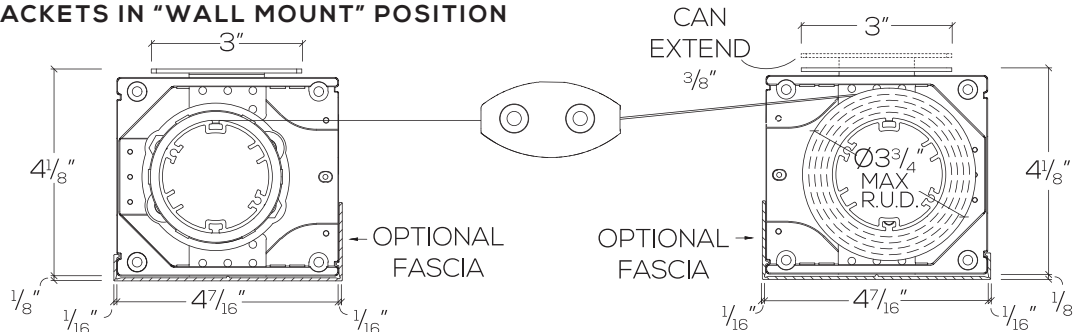
Width and Length may vary depending on the selected shade fabric. The measurements given above are based on EcoFabrix 253. These measurements are for guideline purposes only and in no way guarantee that a shade with any other fabric can be made to these dimensions.

SECTION VIEW

BRACKETS IN "CEILING MOUNT" POSITION



BRACKETS IN "WALL MOUNT" POSITION



THE SoloMOUNT BRACKET®
One bracket... So many possibilities.



AeRise™
SKYLIGHT
SHADING SYSTEMS

WT
SHADE®
NATURAL LIGHT MADE RIGHT

neRISE™ AR250 SLIM SYSTEM

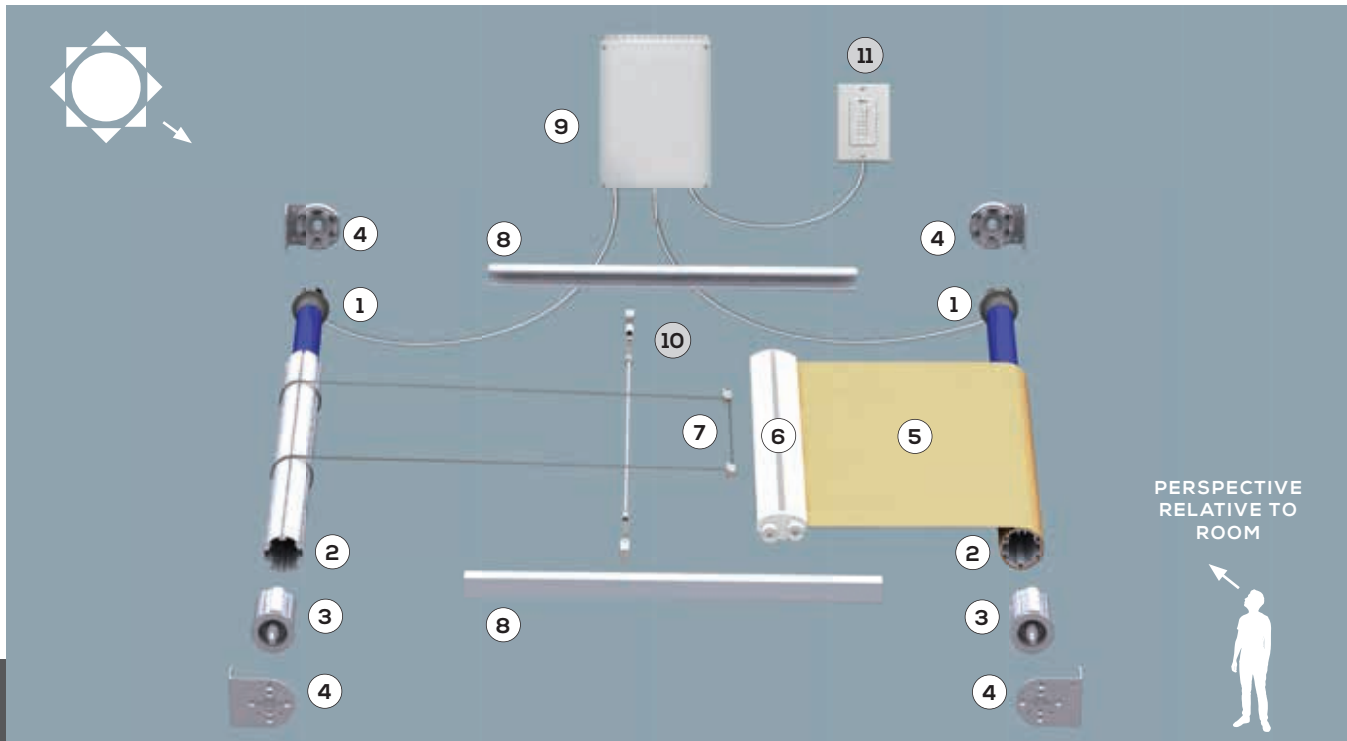
MOTORIZED SKYLIGHT ROLLER SHADE • LINE VOLTAGE • MEDIUM-LARGE SIZE SHADES

77 Second Avenue • Garden City Park, New York 11040

SPECIALTY



{T} 877.294.3580 • {F} 516.294.0444 • {E} info@WTShade.com



PERSPECTIVE
RELATIVE TO
ROOM

The above system is shown Drive Right, Regular Roll. Brackets shown in Ceiling Mount position.*

MODEL#: AR250SL-2.38		ADDITIONAL INFORMATION
STANDARD COMPONENTS	① MOTOR WITH ADAPTERS	2 per system. Wired motors only. See Motor Reference Guide for available motors sizes and torque options.
	② ROLLER TUBE	2 per system.
	③ HEAVY DUTY IDLER WITH SET PIN	Available in Mill Finish (-99) as shown.
	④ SLIM BRACKETS WITH RETAINER RING	Brackets can be used in Ceiling or Wall Mount positions. Drive Right or Drive Left. Standard finish is Zinc Plated (-49) as shown.
	⑤ FABRIC	Available in the full EcoFabrix collection.
	⑥ HEAVY DUTY EXTERNAL HEMBAR	Includes Double Wheel End Caps (HCWHD-10).
	⑦ STAINLESS STEEL CABLE WITH CABLE GUIDES	Length of cable provided will coordinate with height of shade. Cable Guides compatible with Heavy Duty External Hembar only and available in Mill Finish (-49) only
	⑧ GUIDE TRACK	Available in White (-10) as shown. Choose between Classic Guide Track (GTC-10), as shown, or Heavy Duty Blackout Guide Track (GTHD-10).
OPTIONAL	⑨ FTS MOTOR CONTROLLER	Includes 1 per system.
	⑩ IDLE CABLE SUPPORT KIT	REQUIRED FOR APPLICATIONS EXCEEDING 5' IN LENGTH. EACH SOLD SEPARATELY. May require multiple. See Guide Systems for more information.
	⑪ FTS SWITCH	Requires 1 per system. One switch may be used to control more than one system. EACH SOLD SEPARATELY. Contact WT Shade for details.

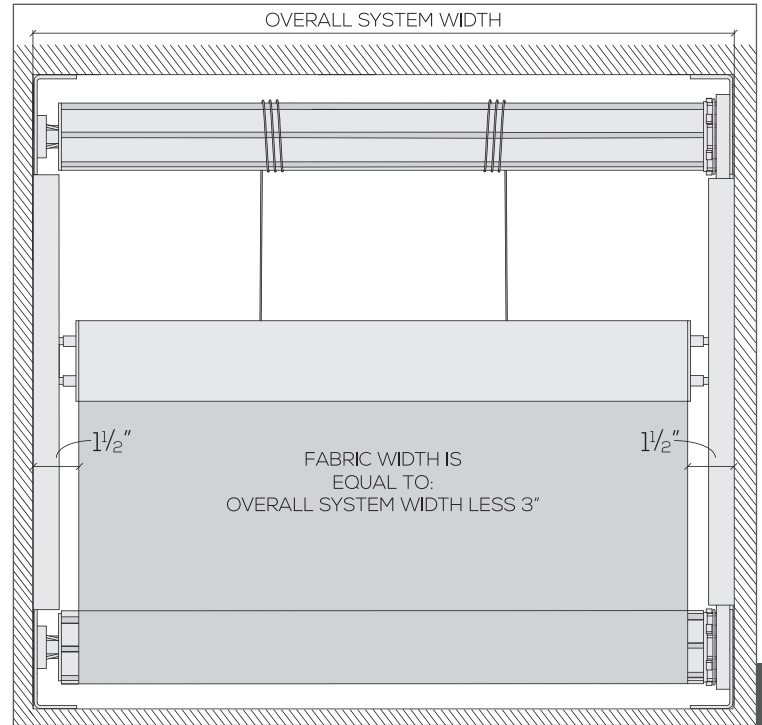


*Drive side and Roll Direction are defined by the perspective and position relative to the room.

SYSTEM FEATURES

- ◆ Brackets are capable of Ceiling or Wall mounting.
- ◆ Regular or Reverse Roll available. Motors may be Drive Right or Drive Left.
- ◆ All WT Shade roller shades are available in the *exclusive* line of sustainable solar protection fabrics by EcoFabrix. To view all available fabrics, visit EcoFabrix.com.
- ◆ This system uses Wired Line Voltage motors by Somfy. See Motor Reference Guide for compatible motors, or visit Somfy.com for more information.
- ◆ AeRise shades require programming in order for the shade to operate. All Motor Controls are sold separately.
- ◆ Best For Kids Certified! Visit WCMA.net.org for more information.
- ◆ Construction Documents for this system and others available at WTShade.com.

EDGE CLEARANCES

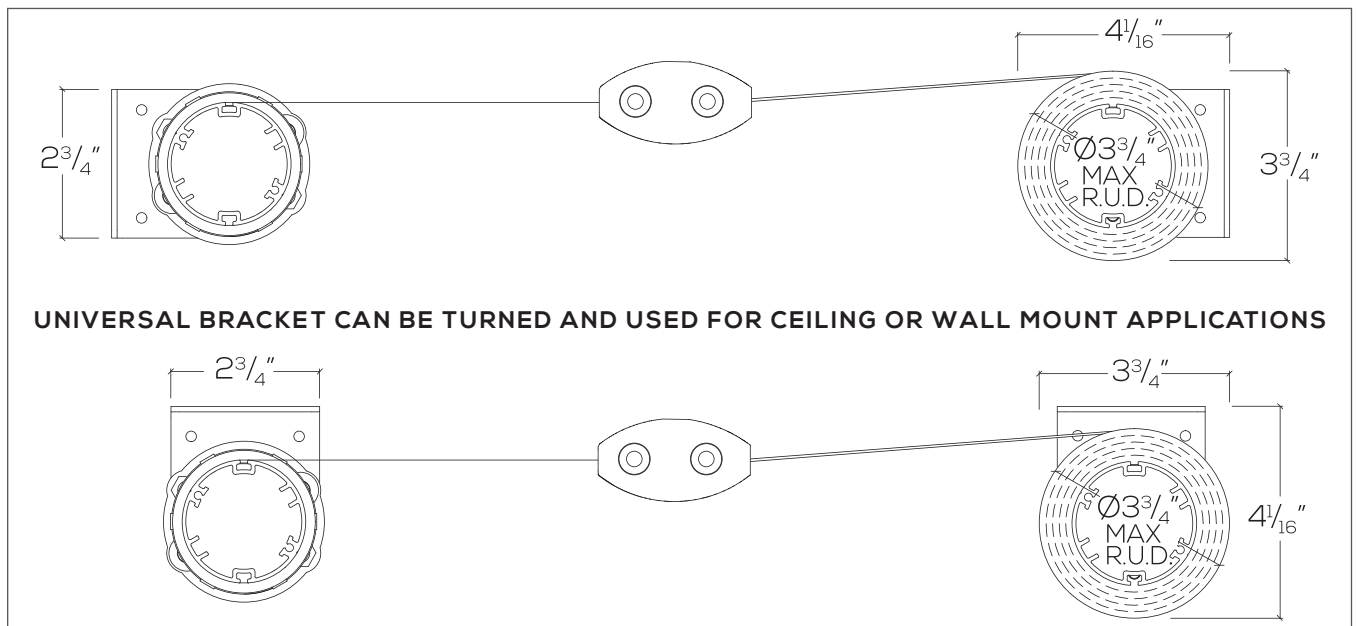


SYSTEM CAPABILITIES

MIN WIDTH	36"	MAX WIDTH	120"
MIN LENGTH	24"	MAX LENGTH	120"

Width and Length may vary depending on the selected shade fabric. The measurements given above are based on EcoFabrix 253. These measurements are for guideline purposes only and in no way guarantee that a shade with any other fabric can be made to these dimensions.

SECTION VIEW



SPECIALTY

77 Second Avenue • Garden City Park, New York 11040



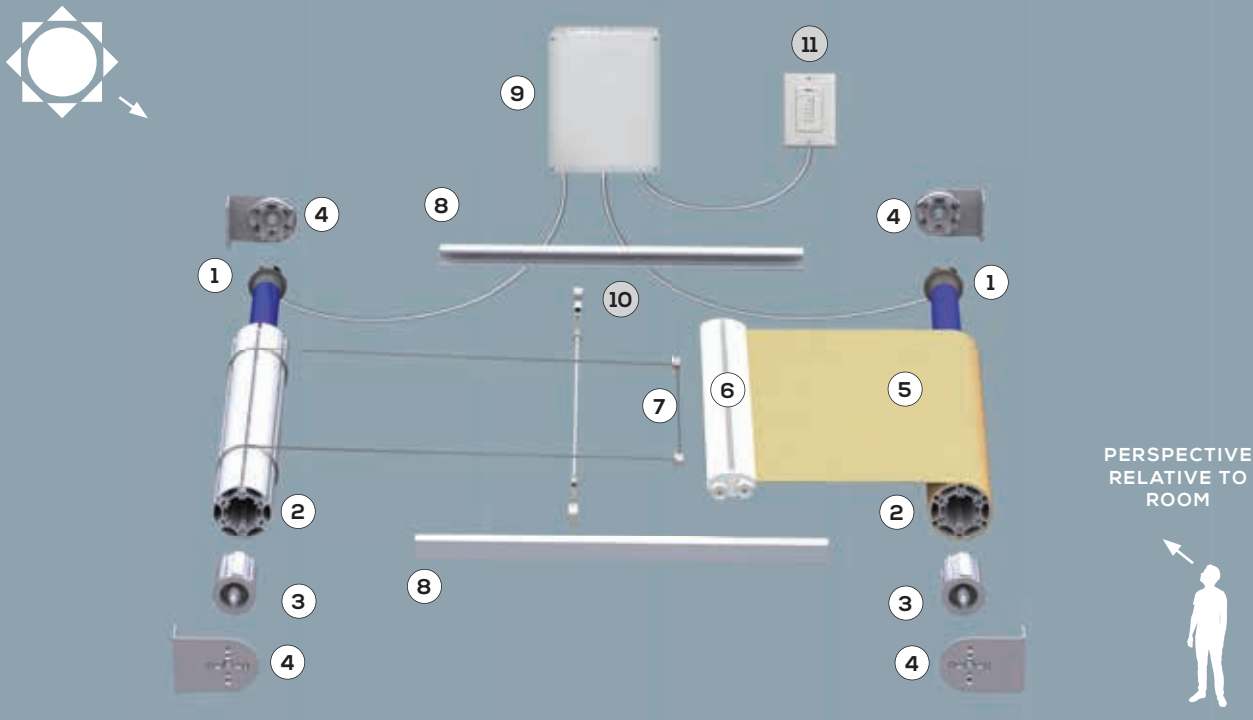
HeRISE™ AR350 SLIM SYSTEM

HEAVY DUTY MOTORIZED SKYLIGHT ROLLER SHADE • LINE VOLTAGE • LARGE SIZE SHADES

77 Second Avenue • Garden City Park, New York 11040

SPECIALTY

{T} 877.294.3580 • {F} 516.294.0444 • {E} info@WTShade.com



The above system is shown Drive Right, Regular Roll. Brackets shown in Ceiling Mount position.*

MODEL#: AR350SL-3.5		ADDITIONAL INFORMATION
STANDARD COMPONENTS	1 MOTOR WITH ADAPTERS	2 per system. Wired motors only. See Motor Reference Guide for available motors sizes and torque options.
	2 NESTED ROLLER TUBE	Contains (2) Nested Roller Tubes, 2 per system. Content: Aluminum Alloy.
	3 HEAVY DUTY IDLER WITH SET PIN	Available in Mill Finish (-99) as shown.
	4 SLIM BRACKETS WITH RETAINER RING	Brackets can be used in Ceiling or Wall Mount positions. Drive Right or Drive Left. Standard finish is Zinc Plated (-49) as shown.
	5 FABRIC	Available in the full EcoFabrix collection.
	6 HEAVY DUTY EXTERNAL HEMBAR	Includes Double Wheel End Caps (HCWHD-10).
	7 STAINLESS STEEL CABLE WITH CABLE GUIDES	Length of cable provided will coordinate with height of shade. Cable Guides compatible with Heavy Duty External Hembar only and available in Mill Finish (-49) only.
	8 GUIDE TRACK	Available in White (-10) as shown. Choose between Classic Guide Track (GTC-10), as shown, or Heavy Duty Blackout Guide Track (GTHD-10).
	9 FTS MOTOR CONTROLLER	Includes 1 per system.
OPTIONAL	10 IDLE CABLE SUPPORT KIT	REQUIRED FOR APPLICATIONS EXCEEDING 5' IN LENGTH. EACH SOLD SEPARATELY. May require multiple. See Guide Systems for more information.
	11 FTS SWITCH	Requires 1 per system. One switch may be used to control more than one system. EACH SOLD SEPARATELY. Contact WT Shade for details.

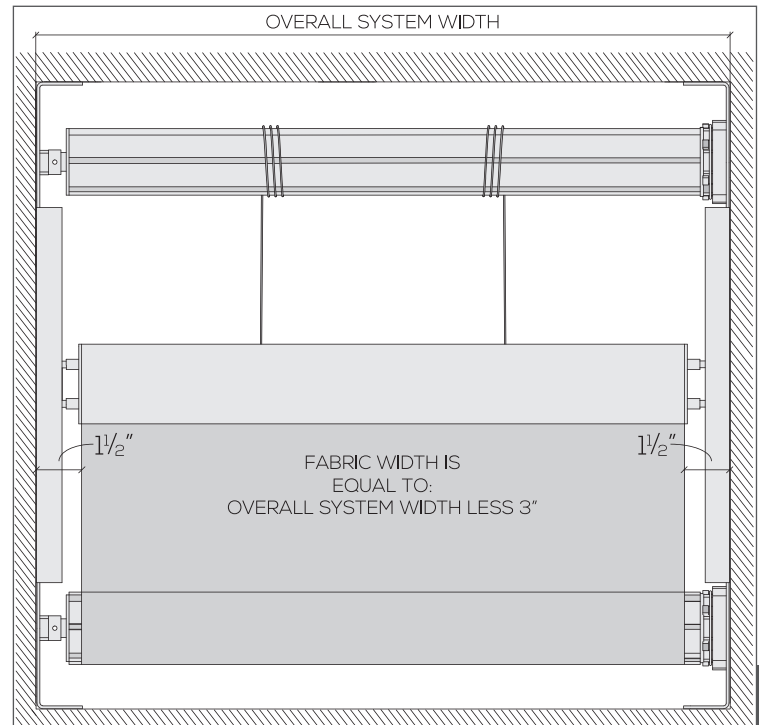


*Drive side and Roll Direction are defined by the perspective and position relative to the room.

SYSTEM FEATURES

- ◆ Brackets are capable of Ceiling or Wall mounting.
- ◆ Regular or Reverse Roll available. Motors may be Drive Right or Drive Left.
- ◆ All WT Shade roller shades are available in the *exclusive* line of sustainable solar protection fabrics by EcoFabrix. To view all available fabrics, visit EcoFabrix.com.
- ◆ This system uses Wired Line Voltage motors by Somfy. See Motor Reference Guide for compatible motors, or visit Somfy.com for more information.
- ◆ AeRise shades require programming in order for the shade to operate. All Motor Controls are sold separately.
- ◆ Best For Kids Certified! Visit WCMA.net.org for more information.
- ◆ Construction Documents for this system and others available at WTShade.com.

EDGE CLEARANCES

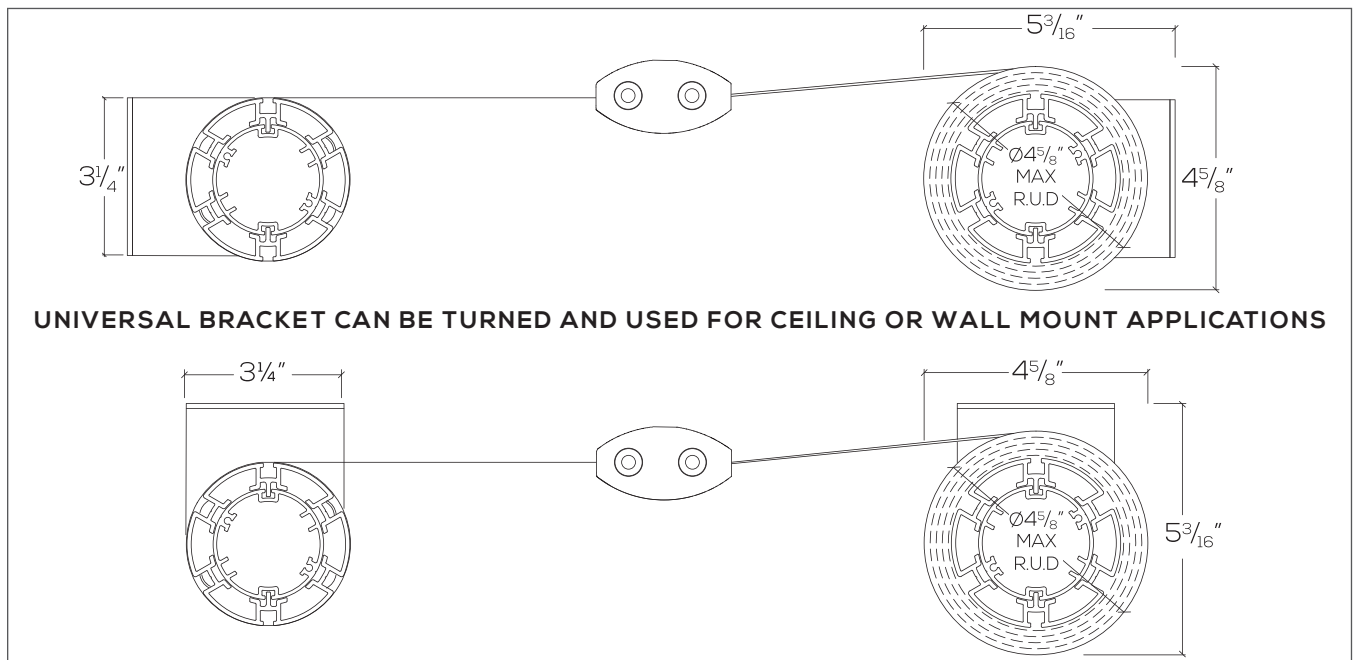


SYSTEM CAPABILITIES

MIN WIDTH	36"	MAX WIDTH	156"
MIN LENGTH	36"	MAX LENGTH	156"

Width and Length may vary depending on the selected shade fabric. The measurements given above are based on EcoFabrix 253. These measurements are for guideline purposes only and in no way guarantee that a shade with any other fabric can be made to these dimensions.

SECTION VIEW





SHADING ACCESSORIES

NATURAL LIGHT MADE RIGHT[®]



{T} 877.294.3580 • {F} 516.294.0444 • {E} info@WTShade.com • 77 Second Avenue

ACCESSORIES

Garden City Park, New York 11040

FASCIA

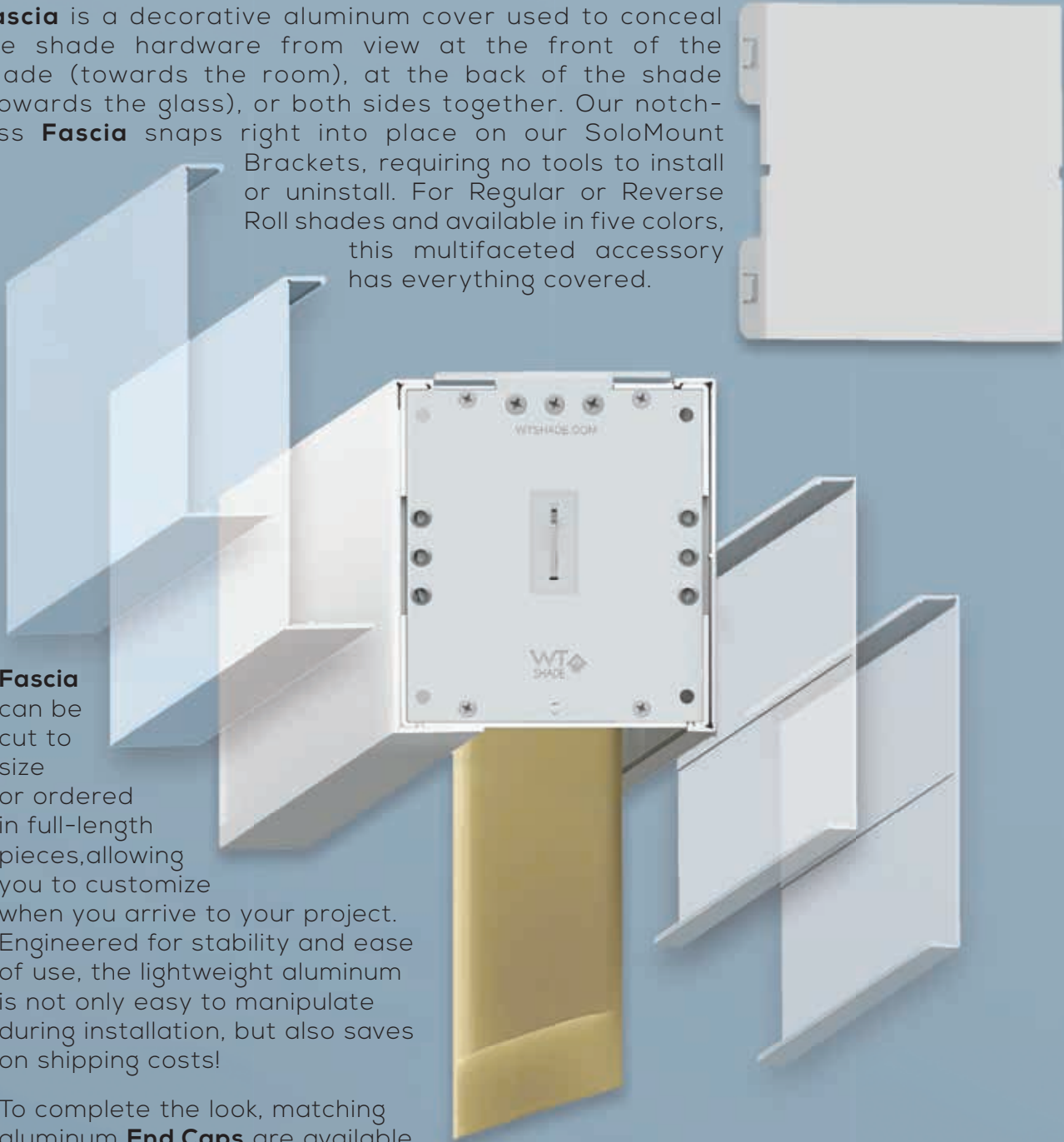
Like any good performance, seeing behind the scenes can sometimes ruin the magic. We all know that every shade needs hardware to hang and operate, but do we need to see it? Not if you don't want to!

Fascia is a decorative aluminum cover used to conceal the shade hardware from view at the front of the shade (towards the room), at the back of the shade (towards the glass), or both sides together. Our notchless **Fascia** snaps right into place on our SoloMount Brackets, requiring no tools to install or uninstall. For Regular or Reverse Roll shades and available in five colors, this multifaceted accessory has everything covered.

Fascia can be cut to size or ordered in full-length pieces, allowing you to customize when you arrive to your project. Engineered for stability and ease of use, the lightweight aluminum is not only easy to manipulate during installation, but also saves on shipping costs!

To complete the look, matching aluminum **End Caps** are available for each Shading System that can be placed over the bracket at the end of the installation. **End Caps** are available in various sizes for all brackets, and come in all five aluminum finish colors to match your **Fascia**.

Unsure if you want to use **Fascia** on your project? No problem! Our SoloMount Brackets allow for the addition of **Fascia** and **End Caps** at any time after installation.



AVAILABLE COLORS:



Content:
Aluminum Alloy

◆ Can be precut to specified sizes or shipped in full length pieces.

3" FASCIA

Part # FH30-XX*

APPLICATIONS:
Regular Roll - Front
Reverse Roll - Rear



Part # RH30-XX*

APPLICATIONS:
Regular Roll - Rear
Reverse Roll - Front

3.5" FASCIA

Part # FH35-XX*

APPLICATIONS:
Regular Roll - Front
Reverse Roll - Rear



Part # RH35-XX*

APPLICATIONS:
Regular Roll - Rear
Reverse Roll - Front

4.5" FASCIA

Part # FH45-XX*

APPLICATIONS:
Regular Roll - Front
Reverse Roll - Rear



Part # RH45-XX*

APPLICATIONS:
Regular Roll - Rear
Reverse Roll - Front

7" FASCIA

Part # FH70-XX*

APPLICATIONS:
Regular Roll - Front
Reverse Roll - Rear



Part # RH70-XX*

APPLICATIONS:
Regular Roll - Rear
Reverse Roll - Front



SHADING ENCLOSURES

Shades are wonderful when we need them, but when not in use, wouldn't it be nice if they could be hidden from sight? Well, they can! WT Shade offers a variety of options for Shade Enclosures which allow you to create a fully encased area for your shades to roll-up inside. Shade Enclosures include **Shade Pockets**, **Bottom Closures** and **Closure Mounts**.

Shade Pockets come in two sizes and are compatible with all of our Shading Systems and Light Blocking Accessories. Made of lightweight extruded aluminum or galvanized steel, **Shade Pockets** are available with or without **Tile Support** and can be installed above or below the ceiling line.

Bottom Closure is a small flap that can be added to the bottom of a pocket to completely conceal the Shading System hardware from view. Requiring no tools to install, **Bottom Closure** simply hooks on to the bottom of the **Shade Pocket**.

Pocket End Caps are available for the ends of **Shade Pockets** and may be installed in below ceiling applications to create a clean, finished look while also concealing the exposed shade hardware.

Building your own gypsum or sheet-rock pocket? Installing **Closure Mount** inside your construction provides a place for **Bottom Closure** to hook onto. Like **Shade Pocket**, our **Closure Mount** is available with or without **Tile Support**.

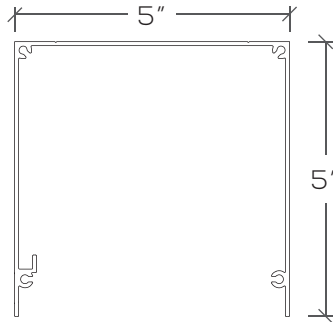
AVAILABLE COLORS:

White
-10

5" X 5" POCKET

Content:
Aluminum Alloy

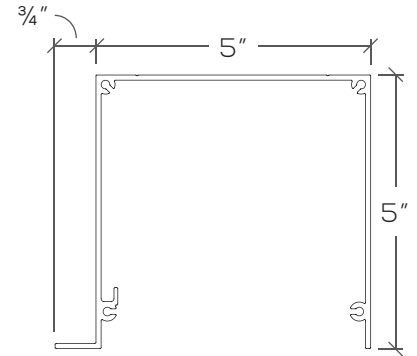
- ◆ Standard Available Length: 10' (120")
- ◆ Can be precut to specified sizes or shipped in full length pieces.
- ◆ Compatible End Cap: CPE55-10



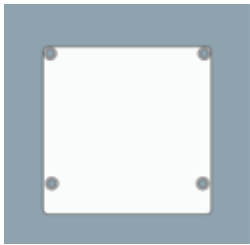
Part #CP55-10
5"x 5" Pocket

COMPATIBLE SHADING SYSTEMS:

H100 SoloMount®
H100 SLIM
H200 SoloMount
H200 SLIM
MR150 SoloMount
MR150 SLIM
MR250 SLIM



Part #CP55TS-10
5"x 5" Pocket
with Tile Support



POCKET END CAPS

Pocket End Caps can be attached to the end of a Shade Pocket, creating a clean finished look while concealing exposed hardware.

Part #CPE55-10
End Cap for CP55-10 & CP55TS-10

AVAILABLE COLORS:

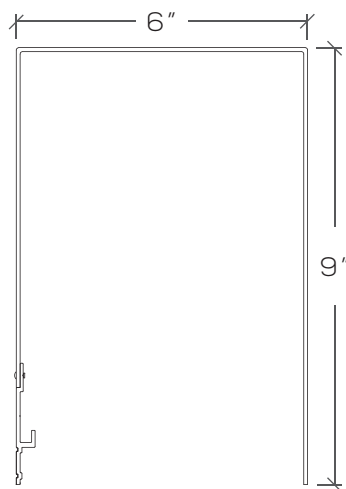
Mill
Finish
-99

6" X 9" POCKET

Content:

20 gauge galvanized 1018 CRS steel,
with Closure Mount (#CM or #CMTS)
secured using Rivets.

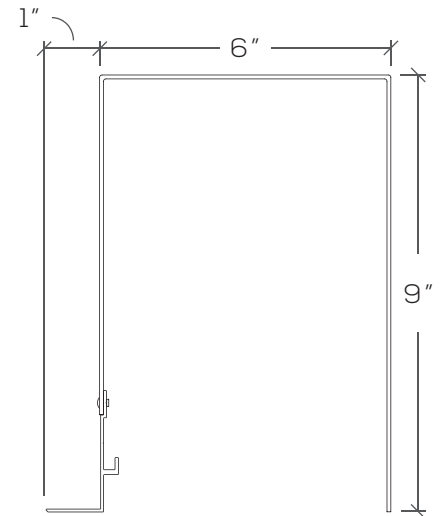
- ◆ Standard Available Length: 10' (120")
- ◆ Recommended for above ceiling installations.



Part #CP69-99
6"x 9" Pocket

COMPATIBLE SHADING SYSTEMS:

H200 PIGGYBACK SoloMount
MR150 PIGGYBACK SoloMount
MR250 PIGGYBACK SLIM



Part #CP69TS-99
6"x 9" Pocket
with Tile Support



SHADING ENCLOSURES

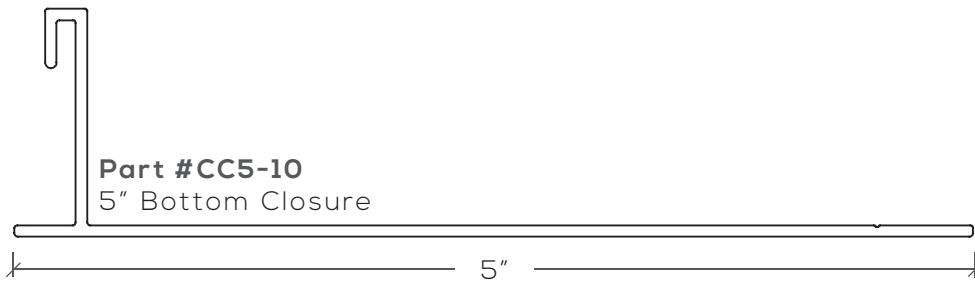
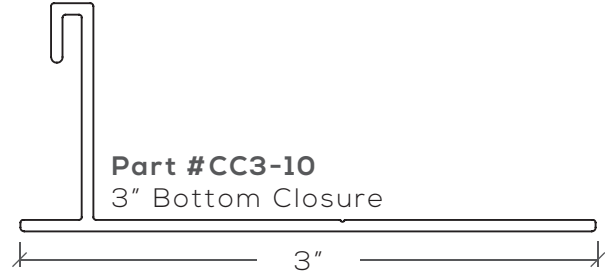
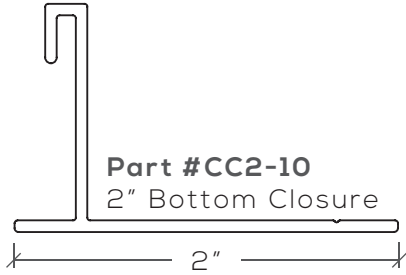
AVAILABLE COLORS:



BOTTOM CLOSURE

Content:
Aluminum Alloy

- ◆ Standard Length Available: 10' (120")
- ◆ Can be precut to specified sizes or shipped in full length pieces.



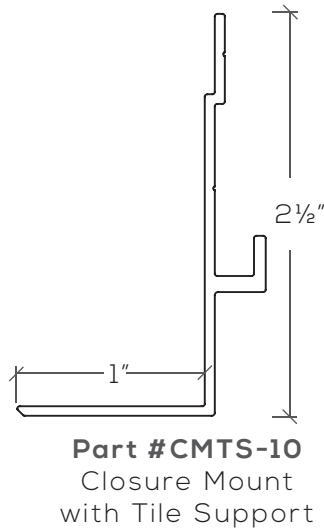
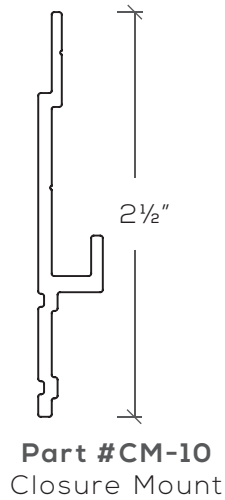
AVAILABLE COLORS:



CLOSURE MOUNT

Content:
Aluminum Alloy

- ◆ Standard Length Available: 10' (120")
- ◆ Can be precut to specified sizes or shipped in full length pieces.



To download individual data sheets on these accessories and more, please visit WTShade.com.

LIGHT BLOCKING ACCESSORIES

SIDE CHANNEL

CENTER CHANNEL

A little bit of light peeking through the edge of a shade can be like a spotlight in a dark room, especially if you are sleeping! By adding any of our Light Blocking Accessories, which can be used with any of our shading systems, you can rest easy by combating those nasty, little light leaks. These accessories can be used in combination with any of our Shade Pockets, Bottom Closures or Fascia options to create a more complete light blocking or blackout solution.

Side Channel

can be installed along the sides of a shade to prevent light from entering through past the edges the fabric. **Side Channel** wraps the edge of the fabric and Hembar so they can freely ride inside while the shade is in motion.

Center Channels can be installed between two shades (or shade bands) to eliminate the gap between them and still allow them to operate independently.

Side Channels and **Center Channels** come in five colors each, allowing you to choose the perfect look for your space.

When ordered with a shading system, **Side Channels** and **Center Channels** will include our original **Channel Caps** that protect your finishes from the sharp edges at the top and bottom of the channels. These **Channel Caps**, which you can only find at WT Shade®, are color coordinated based on the selected aluminum finish color.

All Light Blocking Accessories are compatible with our Sealed Hembar or External Hembar, and can be added at installation or any time in the future!

SILL CHANNEL

Sill Channel is the optimal way of eliminating those frustrating light gaps at the bottom of your shades. All **Side Channels** and **Center Channels** fit neatly in our **Sill Channels**, giving you the perfect corner every time!

LIGHT BLOCKING ACCESSORIES

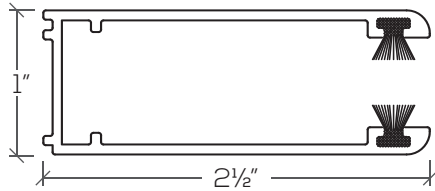
Content:
Aluminum Alloy

SIDE CHANNEL

AVAILABLE COLORS:



- ◆ Standard Available Length: 18' (216")
- ◆ Can be precut to specified sizes or shipped in full length pieces.
- ◆ Can be Face Mounted using hole plugs (SCHP-XX*).
- ◆ Channel Cap is available in White (-10) and Black (-90) and will be color coordinated to the selected aluminum color when ordered with a shading system (SCHTC25-XX**) **



Part # SCH25-XX*
2 1/2" Side Channel

COMPATIBLE WITH:

Sealed Hembar (SSP-99)
External Hembar (HBX-XX*)

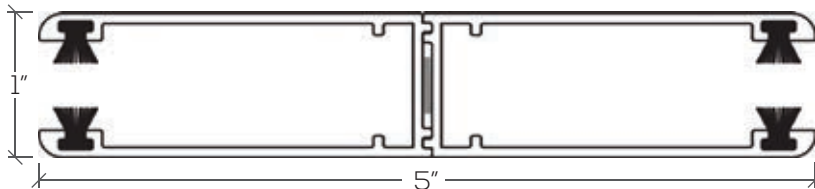
Content:
Aluminum Alloy

CENTER CHANNEL

AVAILABLE COLORS:



- ◆ Standard Available Length: 18' (216")
- ◆ Can be precut to specified sizes or shipped in full length pieces.
- ◆ Can be Face Mounted using hole plugs (SCHP-XX*).
- ◆ Channel Cap is available in white and black and will be color coordinated to the selected aluminum color when ordered with a shading system (SCHTC25-XX**) **
- ◆ For Multibanded Shades and applications where two shades meet bracket to bracket.



Part # SCHC5-XX
5" Center Channel

COMPATIBLE WITH:

Sealed Hembar (SSP-99)
External Hembar (HBX-XX*)

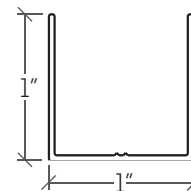
AVAILABLE COLORS:



SILL CHANNEL

Content:
Aluminum Alloy

- ◆ Standard Available Length: 18' (216")
- ◆ Can be precut to specified sizes or shipped in full length pieces.
- ◆ Compatible with all Side or Center Channels.



Part # SCH10-XX*
1" Sill Channel

COMPATIBLE WITH:

Sealed Hembar (SSP-99)
External Hembar (HBX-XX*)

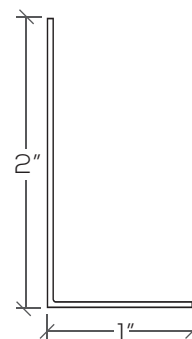
AVAILABLE COLORS:



LIGHT STOP ANGLE

Content:
Aluminum Alloy

- ◆ Standard Available Length: 18' (216")
- ◆ Can be precut to specified sizes or shipped in full length pieces.



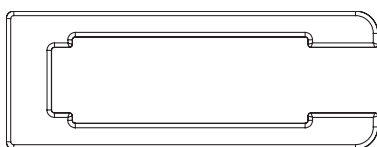
Part # LS12-XX*
1" x 2" Light Stop Angle

COMPATIBLE WITH:

Sealed Hembar (SSP-99)
External Hembar (HBX-XX*)
Round External Hembar (HBXR-XX*)
Round Internal Hembar (HBNR-20)
Heavy Duty External Hembar (HBXHD-10)
Duplex Hembar (HBD-99)

SIDE & CENTER CHANNEL ACCESSORIES

CHANNEL CAPS



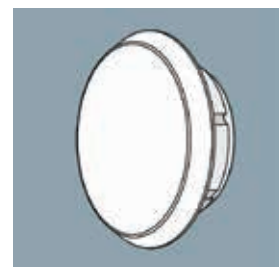
Part #SCHTC25-XX*
Channel Cap for 2½" Side
& 5" Center Channels

CHANNEL CAP COLOR COORDINATION CHART

If Aluminum color is:	Channel Cap color will be:
White (-10)	White (-10)
Ivory (-04)	White (-10)
Silver (-20)	White (-10)
Bronze (-50)	Black (-90)
Black (-90)	Black (-90)

HOLE PLUG

AVAILABLE COLORS:



Part #SCHP-XX*
½" Hole Plug
for Face Mount Applications

GUIDE SYSTEMS

A shade mounted in an area that is completely perpendicular to the floor will use gravity to assist the shade on its path up and down.

Certain facades, however, may have windows that slope...

...and may require assistance from our Guide Track or Cable Systems.

The **Classic Guide Track** is a simple, no-nonsense solution utilizing specially designed **Wheeled Hembar End Caps** that ride inside the track. Shown here with our External Hembar, the **Classic Guide Track** is also compatible with our Heavy Duty External Hembar.

Combining the light stopping properties of a Side Channel with the benefits of a Guide System, our one-of-a-kind **Blackout Guide Track** provides the best of both worlds. Compatible with the External Hembar, this track also uses **Wheeled Hembar End Caps**.

For extra large shades, our **Heavy Duty Guide Track** is compatible with our Heavy Duty Hembar. This system features two wheels on each End Cap and is ideal for sloped motorized shades or even large skylight shades.

Our low-profile **Guide Cable Kit** provides a discreet solution for sloped windows. For shades with our External Hembar this versatile kit can be ordered at any time, before or after installation, and comes with two ways to attach the cable to the Hembar.

CLASSIC GUIDE TRACK

BLACKOUT GUIDE TRACK

HEAVY DUTY GUIDE TRACK

GUIDE CABLE KIT

{E} info@WTShade.com • 77 Second Avenue • Garden City Park, New York 11040

ACCESSORIES



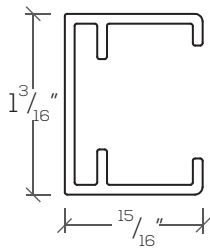
{T} 877.294.3580 • {F} 516.294.0444



The above illustration is for illustrative purposes and may not represent the products in real life scenarios. Color accuracy is not guaranteed in print or on screen.

AVAILABLE COLORS:

White
-10



Part #GTC-10

- ◆ Standard Available Length: 18' (216")
- ◆ Can be precut to specified sizes or shipped in full length pieces.

CLASSIC GUIDE TRACK

Content:
Aluminum Alloy

COMPATIBLE WITH:



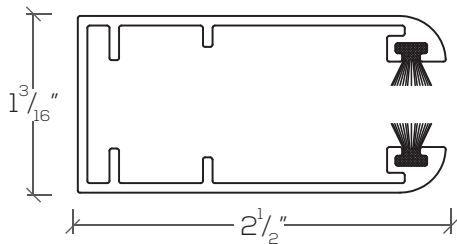
External Hembar with Single Wheel End Caps (HCSW-XX*)



Heavy Duty External Hembar with Double Wheel End Caps (HCWHD-10)

AVAILABLE COLORS:

White
-10



Part #GTB-10

- ◆ Standard Available Length: 18' (216")
- ◆ Can be precut to specified sizes or shipped in full length pieces.

BLACKOUT GUIDE TRACK

Content:
Aluminum Alloy

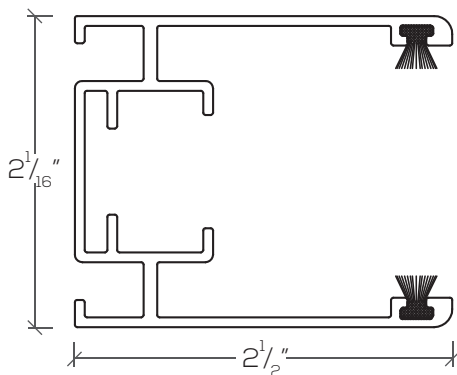
COMPATIBLE WITH:



External Hembar with Single Wheel End Caps (HCSW-XX*)

AVAILABLE COLORS:

White
-10



Part #GTHD-10

- ◆ Standard Available Length: 18' (216")
- ◆ Can be precut to specified sizes or shipped in full length pieces.

HEAVY DUTY GUIDE TRACK

Content:
Aluminum Alloy

COMPATIBLE WITH:



Heavy Duty External Hembar with Double Wheel End Caps (HCWHD-10)



*Replace "XX" with desired color number when ordering.
To download individual data sheets on these accessories and more, please visit WTShade.com.



GUIDE CABLE KIT

Part #CKGW

- ◆ To be used vertically along the side or up the back of the shade.
- ◆ Can be ceiling mounted or wall/jamb mounted using the provided bracket clips.
- ◆ Can be ordered at any time and retrofit to all shades utilizing our External Hembar.

COMPATIBLE WITH:



External Hembar with Guide Cable End Caps HCGC-XX*

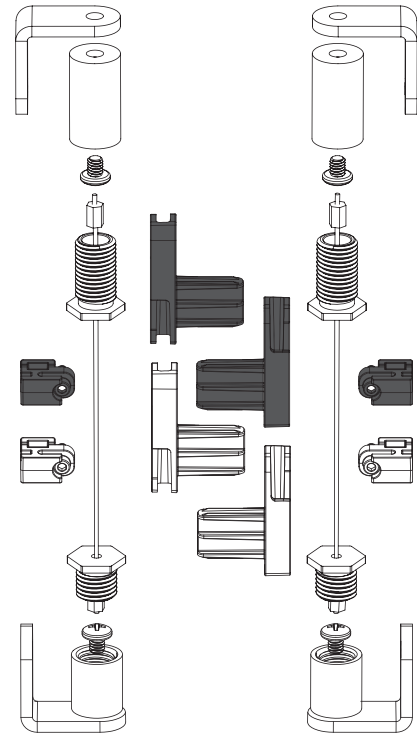
Kit includes:

Two (2) pairs of Barrels and Studs for mounting (1" and 1/2")

Two (2) pairs (white & black) of Guide Cable End Caps for External Hembar for side mounting cables.

Two (2) pairs (white & black) of Guide Cable Clips for External Hembar for back mounting cables.

Two (2) 20' lengths of Stainless Steel Cable.



IDLE CABLE SUPPORT KIT

Part #CKIS

- ◆ To be used horizontally across the shade in order to lend support to sagging fabric in sloped scenarios or to prevent billowing.
- ◆ Can be ordered at any time and retrofit to any shade system.
- ◆ Can be Wall or Jamb mounted.
- ◆ Combine as many as necessary!

Kit includes:

One (1) pair of Barrels and Studs for mounting.

One (1) 10' length of Stainless Steel Cable.

Four (4) Clear Cable Sleeves for fabric protection (2 1/2' each).

COMPATIBLE WITH:

All Shading Systems

All Hembars



HEMBAR STYLES

At WT Shade® the sky is the limit when it comes to customizing your shades. We offer a variety of Hembar styles to choose from allowing you to add the perfect finishing touch to your space.

Our subtle internal style Hembars, like the standard **Sealed Hembar** and the **Round Internal Hembar**, are wrapped with the fabric of the shade and blend right in.

Our eye-catching, exposed aluminum Hembars, like the **External Hembar**, **Round External Hembar** and **Heavy Duty External Hembar**, offer a bolder aesthetic by allowing you to add an aluminum finish color to your shade, perhaps matching fascia or other finishes in the space.

The unique **Duplex Shade Hembar** even allows you to have two different fabrics on the same shade and utilize the properties of both at the same time!

Finally, using certain Hembars may be necessary in order to add additional accessories to your shade, such as Guide Track or Cable Systems, which require specialty **Hembar End Caps**.

SEALED HEMBAR

EXTERNAL HEMBAR

ROUND EXTERNAL HEMBAR

ROUND INTERNAL HEMBAR

HEAVY DUTY EXTERNAL HEMBAR

DUPLEX HEMBAR

{T} 877.294.3580 • {F} 516.294.0444 • {E} info@WTShade.com • 77 Second Avenue

ACCESSORIES

Garden City Park, New York 11040

The above illustration is for illustrative purposes and may not represent the products in real life scenarios. Color Accuracy is not guaranteed in print or on screen.



HEMBAR STYLES

AVAILABLE COLORS:



SEALED HEMBAR Style # SSP-99

Content:
Aluminum Alloy

- ◆ The standard style Hembar for all Shading Systems, unless otherwise requested.
- ◆ Steel Hembar may be used when more weight is necessary.

COMPATIBLE WITH THE FOLLOWING ACCESSORIES:

Side Channel
Sill Channels
Center Channel
Light Stop Angle

AVAILABLE COLORS:



EXTERNAL HEMBAR Style # HBX-XX*

Content:
Aluminum Alloy

- ◆ Maximum Available Length: 18' (216").
- ◆ Includes Standard End Caps, which are available in White (-10) as shown, or Black (-90) and will be color coordinated based on *aluminum finish* color.
- ◆ Optional internal weights available.

COMPATIBLE WITH THE FOLLOWING ACCESSORIES:

Side Channel Classic Guide Track
Sill Channels
Center Channel Blackout Guide Track
Light Stop Angle Shade Hold-Down
Guide Cable Kit

AVAILABLE COLORS:



ROUND EXTERNAL HEMBAR Style # HBXR-XX*

Content:
Aluminum Alloy

- ◆ Maximum Available Length: 18' (216").
- ◆ Includes End Caps, which are available in White (-10) as shown, or Black (-90) and will be color coordinated based on *aluminum finish* color.

COMPATIBLE WITH THE FOLLOWING ACCESSORIES:

Light Stop Angle

AVAILABLE COLORS:



ROUND INTERNAL HEMBAR Style # HBNR-20

Content:
Aluminum Alloy

- ◆ Maximum Available Length: 18' (216").
- ◆ Includes End Caps, which are available in White (-10) as shown, or Black (-90) and will be color coordinated based on *fabric*** color.

COMPATIBLE WITH THE FOLLOWING ACCESSORIES:

Light Stop Angle

AVAILABLE COLORS:

White
-10

HEAVY DUTY EXTERNAL HEMBAR

Style # HBXHD-10

Content:
Aluminum Alloy



- ◆ Maximum Available Length: 18' (216").
- ◆ Includes End Caps in White (-10)
- ◆ Optional internal weights available.

COMPATIBLE WITH THE FOLLOWING ACCESSORIES:

Light Stop Angle
Classic Guide Track
Heavy Duty Guide Track

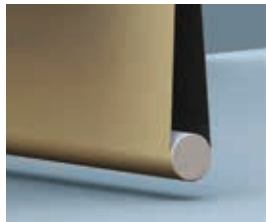
AVAILABLE COLORS:

Mill
Finish
-99

DUPLEX HEMBAR

Style # HBD-99

Content:
Aluminum Alloy



- ◆ Maximum Available Length: 18' (216")
- ◆ Includes End Caps, which are available in White (-10) as shown, or Black (-90) and will be color coordinated based on *fabric*** color.
- ◆ Allows for two fabrics to be mounted on one roller tube.

COMPATIBLE WITH THE FOLLOWING ACCESSORIES:

Light Stop Angle

HEMBAR ACCESSORIES

HEMBAR END CAPS WT Shade **External Hembar** and **Round External Hembar** styles include **Hembar End Caps** which are available in White (-10) or Black (-90) and will be color coordinated based on the selected *aluminum finish* color. If you require a different combination, please contact WT Shade at the time of order.

ALUMINUM COLOR COORDINATION CHART

If Aluminum color is:	End Cap color will be:
White (-10)	White (-10)
Ivory (-04)	White (-10)
Silver (-20)	White (-10)
Bronze (-50)	Black (-90)
Black (-90)	Black (-90)

SHADE HOLD-DOWN



The **Shade Hold-Down** can be used to hold the Hembar in place when the shade is fully extended. Compatible with **External Hembar** only.

Part # HBHD

*Replace "XX" with desired color number when ordering.

**See *Color Coordination Guide* for more information.

To download individual data sheets on these accessories and more, please visit WTShade.com.



WT
SHADE[®]



NATURAL LIGHT MADE RIGHT

OUR FABRIC SELECTION

NATURAL LIGHT MADE RIGHT[®]



FABRICS

New York 11040

(T) 877.294.3580 • (F) 516.294.0444 • (E) info@WTShade.com • 77 Second Avenue • Garden City Park

Build your Ecosystem



Visit EcoFabrix.com to learn how EcoFabrix Solar Shade Fabrics can help you improve the conditions of your interior. Browse the collections, download fabric data & flame certificates, order samples and more!



ECOFABRIX
FABRICS FOR YOUR ECOSYSTEM









ECOFABRIX QUICK SELECTION GUIDE

WT Shade carries the full line of EcoFabrix solar protective materials. Below is a quick reference guide for each of the fabrics and their most commonly referenced specifications. To obtain any of the EcoFabrix sample cards, or an 8x10 sample of a specific fabric, please contact WT Shade or visit EcoFabrix.com

FABRIC #	OPENNESS FACTOR	MAXIMUM AVAILABLE WIDTHS	CERTIFICATIONS
CLASSIX COLLECTION			
132	2%	118"	1 2 5 6 8
250	10%	118"	1 2 5 6
251	1%	118"	1 2 5 6
253	3%	118"	1 2 5 6
255	5%	118"	1 2 5 6
315	15%	98"	1 2 5 6
351	1%	98"	1 2 5 6
353	3%	118"	1 2 5 6
355	5%	98"	1 2 5 6
363	3%	98"	1 2 3 4 5 6 7
441	1%	118"	1 2 5 6
450	10%	98"	1 2 5 6
453	3%	98"	1 2 5 6
455	5%	118"	1 2 5 6
700	0%	72"	1 2 4 5 6
740	0%	118"	1 2 3 5 6
772	0%	110"	1 2 5 6
900	10%	72"	6 8
DIAMOND COLLECTION			
150	18%	118"	5 6 8
160	18%	118"	5 6 8
170	17%	118"	5 6 8
180	17%	118"	5 6 8
784	0%	110"	5 6

CERTIFICATION KEY		
1		A Greenguard Certified Fabric
2		A Greenguard Gold Certified Fabric
3		An OEKO-TEX Certified Fabric
4		Fabric has Anti-fungal Properties
5		Fabric contains no lead
6		Fabric is flame resistant
7		Fabric contains recycled content
8		Fabric contains no PVC

BENEFITS OF USING ECOFABRIX FABRIC

- ◆ All coated fabrics feature a Polyester core yarn providing superior tensile strength and resistance to fraying.
- ◆ Many weave patterns use the same threads allowing for easy matching and coordination across a variety of weave patterns.
- ◆ Stocked at WT Shade's facility allowing for ease of use and shorter lead times.
- ◆ Cost effective selection guaranteed to satisfy the needs of most, if not all, of your solar projects.

Visit WTShade.com for more information!



MERMET QUICK SELECTION GUIDE

WT Shade stocks a selection of Mermet fabrics, for your convenience. Below is a quick reference guide to those fabrics and their most commonly referenced specifications. To obtain any of the Mermet sample cards, or an 8x10 sample of any fabric listed below, please contact WT Shade.



Sun Control Textiles™

CERTIFICATION KEY	
1	Enduris™ Fiberglass core
2	A Greenguard Gold Certified Fabric
3	An OEKO-TEX Certified Fabric
4	Cradle to Cradle® Certified
5	Fabric contains recycled content
6	Fabric contains no lead
7	Fabric is flame resistant
8	Fabric has Anti-fungal Properties
9	Fabric has Anti-microbial properties
10	Fabric contains no PVC

NAME	OPENNESS FACTOR	MAXIMUM AVAILABLE WIDTHS	CERTIFICATIONS
Avila Twilight	0%	118"	2 7 10
Chroma™	2%	94.5"	1 2 3 6 7 8 9
E Screen	1%	122"	1 2 6 7 8 9
	3%	122"	1 2 6 7 8 9
	5%	122"	1 2 6 7 8 9
	10%	122"	1 2 6 7 8 9
Flocké®	0%	94.5"	1 6 7 10
GreenScreen Revive®	1%	118"	2 4 5 6 7 8 10
	5%	118"	2 4 5 6 7 8 10
T-Screen	3%	98"	1 2 6 7 8 9
Vizela	1%	94.5"	1 2 6 7 8 9 10

BENEFITS OF USING MERMET FABRIC

- ◆ Many woven fabrics feature an Enduris™ Fiberglass core yarn, providing fabrics that are durable, strong, and dimensionally stable.
- ◆ Mermet's innovative, functional fabrics are designed for solar protection, energy savings, pleasing visual aesthetics and acoustical comfort.
- ◆ Fabric performance data such as Solar Reflectance (Rs) and Visible Light Transmittance (Tv) are readily available.
- ◆ Mermet offers more than just what you see here! Want a fabric you don't see? Just ask us!

(F) 516.294.0444 • {E} info@WTShade.com • 77 Second Avenue • Garden City Park, New York 11040

FABRICS

(T) 877.294.3580



GraFIX SHADES

PRINTED FABRIC PROGRAM



MAKE A STATEMENT



Customer is responsible for providing artwork. Choice of available basecloths subject to availability. Visit WTShade.com for more details about the requirements and restrictions for this program.

SAMPLE PROGRAM

As with any custom product, samples are a key part of decision making for both our customers and yours. That is why we work hard to maintain a healthy stock of ready-to-send samples. Below is a list of just some of the resources we have available for you!



◆ **SHADE DEMO SAMPLES**

Hand-Held: HeliaRise Systems (all sizes) SoloMount or Slim

Table-Top: HeliaRise H100 or H200, MotoRise MR150 in SoloMount or Slim

◆ **HARDWARE/ACCESSORY SAMPLES**

À la carte Samples: Labeled 2" pieces (White only). Color Chips available for color options.

Hardware/Accessory Packs: Includes 1 of each standard hardware/accessory item within the series.

Available kits:

- H100 Hardware Pack
- H200/MR150 Hardware Pack
- H300/MR250 Hardware Pack
- Accessory Pack A - Shading Enclosures
- Accessory Pack B - Light Blocking Accessories and Guide Kits
- Accessory Pack C - Hembars

Sample Kit: Includes one of each pack above, plus chain samples and color chips.

◆ **FABRIC SAMPLES**

Sample Cards: Contains a small swatch of each color within the series.

8"x10" Fabric Samples: EcoFabrix and Mermet samples ready-to-ship.

Don't see what you need? We can help! Custom samples are available by request!



Order samples at WTShade.com using our Quick Sample tool or email your request to Samples@WTShade.com.

{T} 877.294.3580 • {F} 516.294.0444 • {E} info@WTShade.com • 77 Second Avenue • Garden City Park, New York 11040



GENERAL INFORMATION

NATURAL LIGHT MADE RIGHT[®]



GENERAL

MEASUREMENT INSTRUCTIONS

Thank you for selecting WT Shade as your shading solution! We hope you will be pleased with the outcome of your project, and we strive to do everything in our power to make that so. If you have questions regarding our Shading Systems and Accessories, please **visit WTShade.com** for detailed information about our products, or call:

WT Shade Customer Service:

(877) 294-3580

Monday - Friday

8:30AM - 5:00PM

Before you Begin

Ensure the Area is prepared and ready to measure Production measurements should never be taken if the area where the window treatment is to be hung is not fully complete at the time of measurement. Additional installations such as wall paneling, pocket installations, and other types of finishes may impact the fit of the finished window treatment at the time of installation.

Identify any Special Conditions: In certain cases, conditions may require extra attention in order to create a proper window covering solution. If possible, these areas should be photographed, and additional measurements may be needed to ensure the shade will fit and function properly in the space.

Measurement Tips

- Always provide measurements with the width first and the height second (W x H).
- Measurements should always be provided in inches (").
- Provide the most accurate measurements possible (up to 1/8" increments).
- Have a WT Shade Request for Quote or Order Form with you to ensure you have accounted for all the details of your project while you are on site.
- Familiarize yourself with the WT Shade Shading System capabilities and limitations before you begin planning to ensure you are measuring for the proper solution.



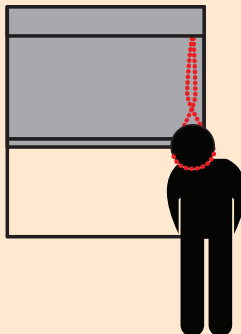
WARNING



ADVERTENCIA

Bead Chain can STRANGLE young children.

- Always keep bead chains out of children's reach.
- Move cribs, and other furniture away from bead chains. Children can climb furniture to get to bead chain.
- Attach tension device to wall or floor. Fasteners provided with tension device may not be appropriate for all mounting surfaces. Use appropriate anchors for the mounting surface conditions.
- For more information about the ANSI/WCMA Safety Standard please visit WCMAnet.org



La cuerda ciega de la ventana puede ESTRANGULAR su niño.

- Mantenga todas las cuerdas fuera del alcance de los niños.
- Mueva la cuna y los muebles. Los niños pueden subir los muebles para alcanzar las cuerdas.
- Conecte el dispositivo de tensión a la pared o al suelo. Los sujetadores provistos con el dispositivo de tensión puede no ser apropiados para todas las superficies de montaje. Utilice anclajes apropiados para las condiciones de la superficie de montaje.

1. Measuring Width

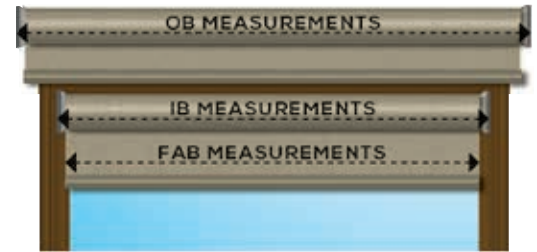
Depending on where the shade needs to fit, additional deductions may be **taken** from the width of the fabric to allow for clearance of the shade hardware. How much deduction needed is determined by the mounting position which should be indicated at the time of order.

IB Mount

Inside Measurement or Inside Bracket (IB) measurements are for mounting the shade inside of the window frame.

OB Mount

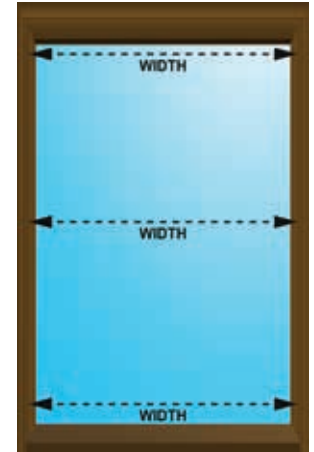
Outside Measurement or Outside Bracket (OB) measurements are for installing the shade outside of the window frame.



FAB Mount

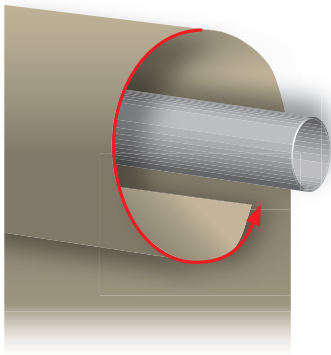
Fabric Measurement (FAB), should be provided when you do NOT wish for there to be any deductions taken from the fabric or tube width. The bracket to bracket measurements for FAB Mount will be LARGER than the specified size once all the hardware has been added.

The width is measured from right to left in the area. Whether you are measuring for IB, OB, or FAB mounting positions, it is important to take measurements at multiple places across a window. Taking a minimum of three measurements across the width of the space being covered will ensure that the shade will fit properly. Use the shortest dimension as the width of the area.



2. Measuring Height

Typically, WT Shade adds additional length to the fabric for the wrap. The amount of additional length varies based on shading system.



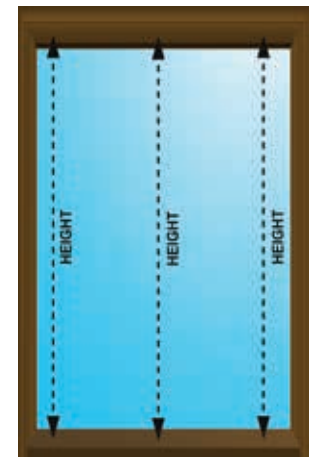
OP

Opening Plus (OP) shades or shade bands have fabric added to the length for the wrap.

FIN

Finished Height (FIN) shades or shade bands will be made to the exact length given (from the top of the fabric to the bottom of the hembar).

Height measurements are taken from top to bottom of the opening. A minimum of three measurements should also be taken. Use the longest dimension as the height of the area.



3. Confirm Measurements

Always double check that measurements have been taken properly and recorded correctly.

WT SHADE DOES NOT TAKE RESPONSIBILITY FOR IMPROPERLY OR INCORRECTLY MEASURED WINDOWS.



GUIDELINES FOR PRINTING ON FABRIC FOR SHADES

NOTE: ALL IMAGES MUST BE SCALED TO SIZE PRIOR TO SUBMITTING TO WT SHADE. WT SHADE WILL NOT SCALE IMAGES, BUT BLEED AND DEDUCTIONS WILL BE TAKEN FROM THE IMAGES AS NECESSARY.



MAXIMUM SIZE: Finished print size may not exceed 200" in Width or Height.

ACCEPTABLE FILE TYPES:

Preferred File Type - PDF Scaled to the finished print size. *Images embedded inside a PDF files must be a minimum of 200 dpi at scale.

May also be accepted - Vector files (such as .AI or .EPS). JPG files will only be accepted if they are fully scaled to the finished print size for the project and must be a minimum of 200 dpi.

ACCEPTABLE COLOR PROFILES:

CMYK color only. No spot colors.

**Printing will be done on white or off-white base cloths ONLY.
NO White or light colored inks on dark base cloths permitted.

FILE SCALING:

Artwork must be scaled to size prior to submitting to WT Shade. WT Shade will not be responsible for loss of clarity or misplacement of images on finished shades. It is the customers responsibility to ensure the placement of the image is correct.

NOTE: FABRIC OF A FINISHED SHADE WILL NOT BE THE FULL WIDTH OF THE SHADE. ALL FINISHED SHADES WILL HAVE DEDUCTION TAKEN FROM EITHER SIDE OF THE FABRIC TO ALLOW FOR SHADE HARDWARE IN THE FINISHED SHADE. SEE SHADING SYSTEM DATA SHEETS FOR INFORMATION ABOUT DEDUCTIONS FOR EACH SPECIFIC SHADING SYSTEM.

IMAGE PLACEMENT:

All printed shade orders must be accompanied by a completed Art Work Placement Form for each shade size on a given project. *If all shades are the same size only one form needs to be provided.

PROOFING:

WT Shade will provide a digital proof for sign off. This proof will be sent via a Dropbox link and may be a very large file. It is the responsibility of the customer to sign off on this proof prior to any printing being done.

Project strike-offs are by request only. If a project strike-off is required it must be requested at the start of the project, and will incur additional charges and fees.





Quote Number or Order Number: _____

Project Name: _____

Prepared By: _____

Contact Email or Phone: _____

Use these parameters for all printed shades on project.

Use these parameters for the following Shade ID(s):

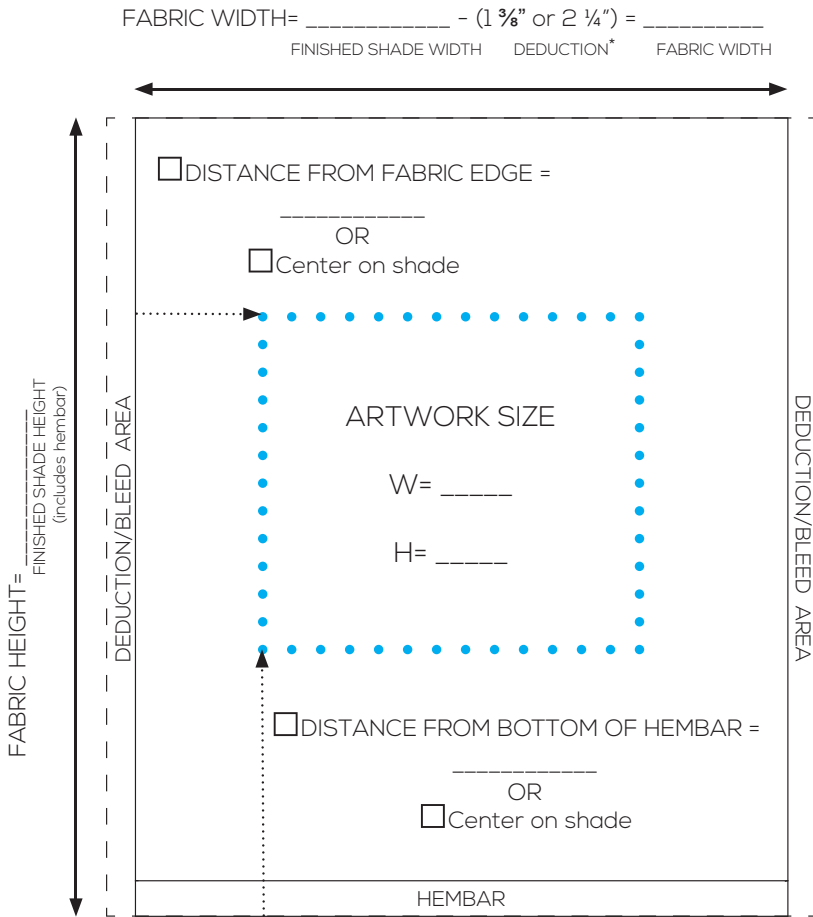
SPECIAL NOTES: _____

PROJECT PRINT TYPE

Print File Name: _____

FULL PRINT. Use this option for printed images that cover the entire fabric area of the shade.

PARTIAL PRINT. Use this option for printed images that should fall in a specific location on the shade. Fill in the below information for projects of this type.



*FABRIC DEDUCTIONS FROM OVERALL SHADE WIDTH:
 For all HeliaRise, BottomRise, & MotoRise MR150 systems = FINISHED WIDTH - 1 3/8"
 For all MotoRise and AeRise systems = FINISHED WIDTH - 2 1/4"



This form must be returned for all printed shade orders. To obtain an editable copy of this form, please visit WTShade.com or contact Customer Service at CustomerService@WTShade.com.



THE DIAMOND STANDARD

At WT Shade, we believe that a purchaser should feel confident and secure that the products they have chosen will last for many years to come, and that is why we are proud to offer The Diamond Standard: WT Shade Limited Lifetime Warranty which covers (but is not limited to) Heliarise®, MotoRise® or other WT Shade shading products and accessories.

We warrant that for a period of up to twenty-five (25) years following delivery, the WT Shade products you have purchased will (a) materially conform to published specifications, and (b) will be free from material defects in materials or workmanship. Certain system components such as electrical items, fabrics, and chains that are not manufactured by WT Shade are excluded from this warranty, but may be covered by the original manufacturers' own warranties.

In the unlikely event a WT Shade product is found to not meet this warranty (subject to the conditions set forth in the Windowcraft, Inc. Terms and Conditions for the Sale of Goods and the WT Shade Limited Lifetime Warranty), WT Shade will replace or repair any item found to contain defects in materials or workmanship at the time the product was manufactured by WT Shade. However, if a product is found to have been improperly installed, abused or subject to any use other than that which it was originally intended, the product may no longer be eligible for a warranty claim.

Though this warranty does not cover normal wear and tear of the product, which is expected over the course of ownership, and in no way guarantees that WT Shade products are indestructible, we pledge to each of our customers that we will do everything within reason to ensure complete customer satisfaction.

For the full details, limitations, and exclusions of this warranty, please see WTShade.com/warranty. This warranty is governed by those terms and the terms of the Windowcraft, Inc. Terms and Conditions for the Sale of Goods, available at WTShade.com/warranty.



HOW TO MAKE A WARRANTY CLAIM

If you have a WT Shade product that you believe is defective due to a material defect in the materials, workmanship or craftsmanship of the product, please follow these steps to make a warranty claim under the WT Shade Limited Lifetime Warranty (“warranty”):

1. Contact your shading installer or dealer: It is important and strongly advised that you have your shade inspected by a professional shading installer. Many times a professional installer will be able to make an adjustment or repair on-site, and will not have to remove and send back your shade. However, if your installer is not able to repair the issue, the shade must be removed and sent back to us for inspection. It is important that the removal and handling of the shade be done by a shading professional in order to ensure that no additional damage is done that could void your warranty. If you are not the original purchaser of the WT Shade product, and the product was purchased through any other party, including a window shade dealer, window shade manufacturer, window shade reseller or window shade installer, you must first contact that party in order to make a claim under this warranty.

2. Locate the order number associated with the product: In order to make a warranty claim WT Shade MUST be provided with the original order number (often times called the “W Number”) for the defective product. This number will begin with a “W”, and can be found on the ID tag located on the product. For all WT Shading Systems, this ID tag can be found on the aluminum tube of the shade, and can be accessed by completely unrolling the shade fabric and exposing the tube. It is important that the removal and handling of the shade be done by a shading professional in order to ensure that no additional damage is done that could void your warranty. We also recommend taking a photograph of the tag, so that you or the original purchaser can continue to refer to it later or to send to us.

3. Contact WT Shade Immediately: Once you have obtained the order number, WT Shade should be contacted by the original purchaser to make a claim under this warranty. The original purchaser should call Customer Service at (877) 294-3580 or email customerservice@wtshade.com. Once WT Shade has recorded the claim, the original purchaser will be furnished with a Return Goods Authorization Number (“RGA”). This number will be used to track the status of the claim and will be used to identify any products that have been returned to us.

4. Return the defective items to WT Shade: In order to repair or replace the defective item, WT Shade will need to inspect the product to determine the cause of the issue. In order to do so, the shading product must be uninstalled and packaged for shipping. If you do not feel comfortable performing such uninstallation, please contact your shading installer for help. WT Shade will not be liable or responsible for the costs or potential damage of the uninstallation, the materials used to package the shade, or the shipping costs to return the product to us. All boxes and packages sent to WT Shade in regard to the claim MUST be marked with the corresponding RGA number. Items received with no RGA number will be returned to sender. Please send all returns to:

77 Second Ave
Garden City Park, NY 11040
ATTN: WARRANTY
RGA#:_____

5. Inspection of the Return: Within a reasonable time after receipt, WT Shade will inspect the returned goods, perform an inspection, and determine the nature of any defect. We will then contact the original purchaser to discuss the results of WT Shade’s investigation.

- If the product has been determined to be covered by this warranty, WT Shade will fully repair or replace the defective part or component. If a replacement part has already been sent to the original purchaser, there will be no charges added to the corresponding account.
- If it is determined that the defect has been caused by damage or misuse, and/or is found to not be protected by this warranty, WT Shade will contact the original purchaser to discuss the necessary repairs needed to fix the defect, which may require new parts, shipping and/or labor at additional costs. Any replacement parts that have been sent to the original purchaser prior to WT Shade’s inspection may also incur additional charges to your account.

Questions? If at any time you have questions about this warranty or how to make a warranty claim, please contact WT Shade Customer Service at (877) 294-3580 or email customerservice@wtshade.com.



ORDER FORM (EXAMPLE)

Below is an example of how to properly fill in the Request for Quote (RFQ) and Order Forms which can be found in the Documents Library at WTShade.com. For fastest processing, completed forms should be sent to:

RFQ Form: Quotes@WTShade.com

Order Form: Orders@WTShade.com

Date: 6/18/16		PO # ABC123		S/M: Magic Kingdom		Ship To: Magic Kingdom		Phone # (123) 456-7890	
Acct Name: Walt Disney		Acct. #: 123456		Ordered By: Mickey		Address: 123 Some Road		Ship Via: ACME	
Phone #: (123) 456-7890		Quote #: 9123456		Amount: \$ 1,000.00		City: Orlando		State: FL Zip: 32830	
Location: Castle						Contact: Mickey			

Line Item #	Shade ID	Qty	Shading System	Width	IB / OB / FAB	Length	OP / FIN	L / R	Ceiling / Jamb Mount	Wall Mount	Fabric - Color	Reg / Rev	Hembar - Color	Rear Fascia (Color)	SoloMount Endcap (Color)	Side Channel (Color)	Sill Channel (Color)	LB	CB1	CB2	CB3	CB4	RB	
1	MBE01	1	4/200PB	60	IB	100	OP	L	<input checked="" type="checkbox"/>	<input type="checkbox"/>	700-10	Reg	SSP	-10	-10									
2	MBE02	1	MR150PB	120	IB	100	OP	R	<input type="checkbox"/>	<input checked="" type="checkbox"/>	700-10	Reg	4/2X-10	-20	-20	-20	60	60						60
3									<input type="checkbox"/>	<input type="checkbox"/>														
4									<input type="checkbox"/>	<input type="checkbox"/>														
5									<input type="checkbox"/>	<input type="checkbox"/>														
6									<input type="checkbox"/>	<input type="checkbox"/>														
7									<input type="checkbox"/>	<input type="checkbox"/>														
8									<input type="checkbox"/>	<input type="checkbox"/>														
9									<input type="checkbox"/>	<input type="checkbox"/>														
10									<input type="checkbox"/>	<input type="checkbox"/>														

<p>Shading Systems</p> <p>Manual</p> <ul style="list-style-type: none"> H-100 Solomount (H100SM) H-100 Slim (H100SL) H-100 Piggyback (H100PB) <p>Motorized</p> <ul style="list-style-type: none"> MR150 Solomount (MR150SM) MR150 Slim (MR150SL) MR150 Piggyback (MR150PB) MR250 Solomount (MR250SM) MR250 Slim (MR250SL) MR250 Piggyback SM (MR250PBSM) MR250 Piggyback SL (MR250PBSL) MR350 Slim (MR350SL) MR350 Catch Bracket (MR350CB) MR450 Catch Bracket (MR450CB) 	<p>Hembar Options</p> <ul style="list-style-type: none"> SSP - Sealed Hembar HBX - External Hembar HBXR - Round External Hembar HBNR - Round Internal Hembar HBXHD - HD External Hembar HBDD - Dual Shade Hembar 	<p>Color Codes</p> <ul style="list-style-type: none"> -10 (White) -04 (Ivory) -20 (Silver) -50 (Bronze) -80 (Black) TBD (To Be Determined) 	<p>Chain Options</p> <ul style="list-style-type: none"> <input checked="" type="radio"/> Stainless Steel <input type="radio"/> Polished Brass <input type="radio"/> Antique Brass <input type="radio"/> Plastic White <input type="radio"/> Plastic Ivory <input type="radio"/> Plastic Grey <input type="radio"/> Plastic Black 	<p>Motor Options</p> <ul style="list-style-type: none"> <input type="radio"/> Battery RTS <input checked="" type="radio"/> Low Voltage RTS <input type="radio"/> Line Voltage RTS <input type="radio"/> Digital Line Voltage <input type="radio"/> Wired Technology
--	---	---	--	---

Special Instructions - (reference line item #)

Add Single Channel Remote

Add any additional options or special instructions here

INSTALLATION INSTRUCTIONS

Thank you for selecting WT Shade as your shading solution! We hope you will be pleased with the outcome of your project, and we strive to do everything in our power to make that so. If you have questions regarding our Shading Systems and Accessories, please visit WTShade.com for detailed information, or call:

WT Shade Customer Service:
(877) 294-3580
Monday - Friday
8:30AM - 5:00PM



Before you Begin

Ensure the area is prepared and ready for shade installation: Installation should never occur if the area is not fully complete. Additional installations such as wall paneling, pocket installations, painting and other types of finishes must be complete prior to shade installation. The area should be clean and free from dust and debris. We recommend cleaning the glass of the window prior to installation to ensure that no cleaning solutions will come into contact with the shade fabric. Wood blocking is required for all installations and should have been installed prior to finishing the walls.

Locate all necessary hardware and boxes: Brackets, bead stops, accessories, motor controls, power supplies, and other small items may be shipped in a separate box from the shades. Check the packing slip to locate the number of boxes received and ensure that all the hardware is present before beginning.

NOTE: CEILING POCKETS MUST BE INSTALLED PRIOR TO INSTALLING SHADES.

For instructions on Pocket installation see step 4. Accessory Installation.

Tools you will need to provide:

- Recommended screws: #10 or #12 Hex Head Screws. Jamb mount applications will require pan head screws
- Washers
- Electric screw driver/drill with appropriate tips
- Hand-held screw driver with Phillips head bit
- Measuring tape
- Level
- Combination Pliers
- MotoRise Only - Programming tools (i.e. Motor Controls, Limit Setting Tools & Switches, etc.)
- MotoRise Only - Wiring

{T} 877.294.3580 • {F} 516.294.0444 • {E} info@WTShade.com • 77 Second Avenue • Garden City Park, New York 11040



GENERAL



INSTALLATION INSTRUCTIONS

1. Identifying Mounting Type and Location



Before you begin, you must identify the proper shade positioning with regard to the frame. Shades ordered for Inside Bracket (IB) installations are for mounting inside of the window frame. Shades ordered for Outside Bracket (OB) installations are for mounting outside of the window frame. FAB shades should be treated as an OB installation.

WT Shade brackets come pre-set for your desired Mounting Location (Ceiling/Jamb or Wall Mount). If this needs to be changed, all SoloMount Brackets (and some Slim Brackets) can be adjusted by removing the screws at the base of the Mounting Flange, and the Mounting Flange can then be moved to the desired location. It can also be extended if you encounter an installation that requires you to move the fabric or roller away from the ceiling or wall.

2. Installing the Brackets

IB Installations:

Using the window frame as a guide, determine the location you will be installing the first bracket. If you will be adding fascia (SoloMount style brackets only) be sure to leave enough room in front so the fascia will be flush with the surface outside the frame.

Using two screws, affix the bracket to the installation surface. Ensure the screws are secure.

Follow the same process for the opposite side.

OB/FAB Installations:

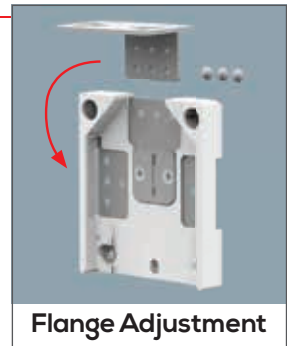
To ensure proper coverage, locate the center line of the space in which you will be installing. Divide the FINISHED WIDTH of the shade in half and use this measurement to locate where you will install your first bracket.

Using two screws, affix the bracket to the installation surface. Ensure the screws are secure.

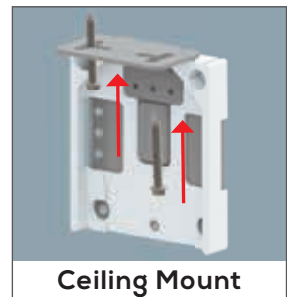
Measuring from the OUTSIDE FACE of the first bracket, affix the second bracket so that the distance between the OUTSIDE FACES of both brackets is equal to the FINISHED WIDTH of the shade. Use a level to ensure both brackets are even with each other and perpendicular to the floor.

Center Support Brackets:

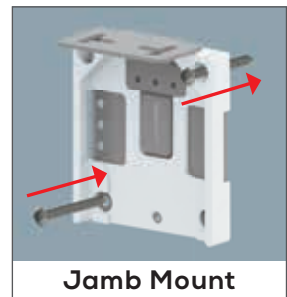
Whether IB or OB installations, center support brackets should be installed so that from center line to center line between each bracket is equal to that of the FINISHED WIDTH of the shade band.



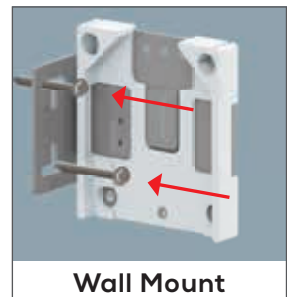
Flange Adjustment



Ceiling Mount



Jamb Mount



Wall Mount

PRO TIP

Before installing anything, determine whether your shade is Drive Right or Drive Left (location of the motor or clutch) and identify each bracket in the pair. Be sure to install the correct bracket for each side of the shade.

Drive brackets



Idler brackets



3. Mounting the Shade

For ALL HeliaRise systems: Begin at the idler end. Insert the idler pin into the center hole of the idler bracket. Using gentle pressure, depress the spring loaded idler by pressing against the bracket and bring the opposite side up and into alignment on the other side.

**For Multibanded Shades:* When installing the next band, ensure that the shades will be properly placed by aligning the hembars. Insert the tang into the fork through the Center Support Bracket and continue the process as described for each band until you have reached the clutch end.

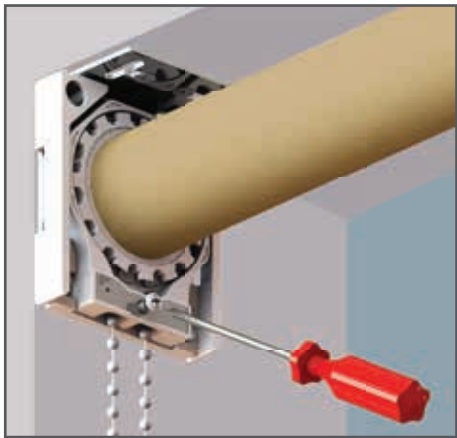
Ensure that the hook at the end of the clutch is seated properly in the slot.

The chain should be running on either side of the set screw (as shown below-left). If not, simply unhook the clutch and adjust the chain.

**For Piggyback systems:* Open the chain loop at the chain connector of the back/top shade, and thread it through the chain diverter at the bottom of the bracket. Reconnect the loop at the chain connector.

Secure the shade to the bracket by hand tightening the set screw at the bottom of the clutch. **DO NOT USE A POWER TOOL TO DO THIS.**

Pull the Child Safety Tension Device and depress slightly so it slides to the bottom of the chain loop. When installed properly, the chain should not



be too tight that it hinders operation, should not be able to be pulled away from the wall any further than 6" and the chain connector should not be able to be opened without removing the Tension Device. Using two of the long screws, included in the hardware box, install the Tension Device. It can be jamb, wall, or sill mounted. Select the best method of installation for your application type.

Remove the paper sleeve from the shade band and discard.

To "set the limits"- Roll the shade to the "up" position. Identify the bead on the chain that is located just below the clutch. Wrap one of the matching Bead Stops, located in the hardware box, around the bead and squeeze it shut with pliers. Extend the shade to the "down" position and repeat this step on the other side of the chain.

FOR SHADES WITH SPRING ASSIST MECHANISM (SAM)

If Clutch/SAM is removed from the tube, it may become unwound.

To rewind: Insert the spring into the tube, and spin the clutch. Recommended number of turns can be found on the printed label located on the tube.

RED SPRING

- Regular Roll, Drive Right
 - Reverse Roll, Drive Left
- Always tension by turning clutch counter clockwise.

GREEN SPRING:

- Regular Roll, Drive Left
 - Reverse Roll, Drive Right
- Always tension by turning clutch clockwise.

WARNING	ADVERTENCIA
<p>Bead Chain can STRANGLE young children.</p> <ul style="list-style-type: none"> Always keep bead chains out of children's reach. Move cribs, and other furniture away from bead chains. Children can climb furniture to get to bead chain. Attach tension device to wall or floor. Fasteners provided with tension device may not be appropriate for all mounting surfaces. Use appropriate anchors for the mounting surface conditions. For more information about the ANSI/WCMA Safety Standard please visit WCMA.net.org 	<p>La cuerda ciega de la ventana puede ESTRANGULAR su niño.</p> <ul style="list-style-type: none"> Mantenga todas las cuerdas fuera del alcance de los niños. Mueva la cuna y los muebles. Los niños pueden subir los muebles para alcanzar las cuerdas. Conecte el dispositivo de tensión a la pared o al suelo. Los sujetadores provistos con el dispositivo de tensión puede no ser apropiados para todas las superficies de montaje. Utilice anclajes apropiados para las condiciones de la superficie de montaje.



PRO TIP

Do not remove the paper sleeve from the shade bands until all shades have been installed. This will assist with aligning multiple shades in a space properly.

NOTE: ALL MOTORS REQUIRE PROGRAMMING

The following instructions are for physical motorized shade installation only and do not include information about motor programming, please contact WT Shade Customer Service.

For all MotoRIse MR150 systems: Begin at the idler end. Insert the idler pin into the center hole of the idler bracket. Using gentle pressure, depress the spring loaded idler by pressing against the bracket and bring the opposite side up and into alignment on the other side.

**For Multibanded Shades: When installing the next band, ensure that the shades will be properly placed by aligning the hembars. Insert the tang into the fork through the Center Support Bracket and continue the process as described for each band until you have reached the motor end.*

Ensure that the hook at the end of the motor is seated properly in the slot.

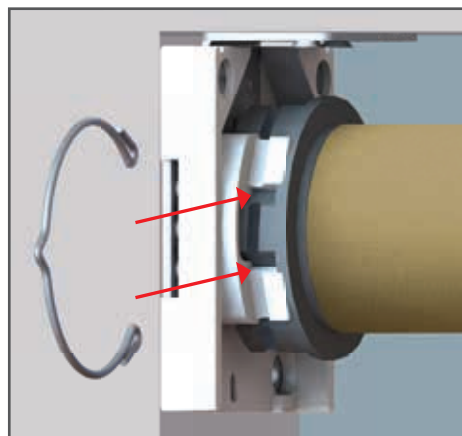
For all MotoRIse MR250 systems: Remove the motor retainer ring from the drive side bracket before beginning, and set it aside for later.

Insert the idler pin into the center hole of the idler bracket. Using gentle pressure, depress the spring loaded idler by pressing against the bracket and bring the opposite side up and into alignment on the other side.

**For Multibanded Shades: When installing the next band, ensure that the shades will be properly placed by aligning the hembars. Insert the tang into the fork through the Center Support Bracket and continue the process as described for each band until you have reached the motor end.*

Make sure the motor power/communication cables are not in the way by making sure the power cable is threaded through the depressed area in the motor head.

Insert the star head of the motor into the motor retainer. Ensure the grooves along the edge of the motor head and along the edge of the motor retainer are in alignment, and reattach the motor retainer ring to hold the motor in place (as shown below). Remove the paper sleeve from the shade band and discard.



PRO TIP

Motors come in a variety of voltage types, lifting capacities and communication types. All motors must be programmed regardless of these variations, however the process for programming is different depending on which of these options you have selected for your shades. For more information about the initial programming and basic set-up, see the appropriate Basic Programming Instructions for your motor type.



4. Accessory Installation



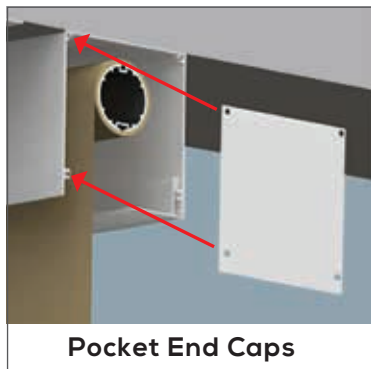
Pocket Installation: Begin by ensuring that wood-blocking has been installed to support the weight of the pocket and shade.

Measure the area where the pocket is to be installed and cut down the pocket to the correct length. If the area exceeds 10' in length, you will need to join multiple pockets together using Splice Pins to align. Ensure that the Closure Hook is facing towards the correct direction (shades should roll away from the Bottom Closure).

Drilling directly through the pocket and into the surface of the mounting area, secure the pocket at 24"-30" intervals.



Wood Blocking & Bottom Closure Attachment



Pocket End Caps

***For CP55 & CP55TS pockets only:** For below ceiling installations, Pocket End Caps can be affixed to the end of the pocket using the included screws.

Closure Mount Installation: (For use with previously built gypsum or sheet-rock pockets.) Affix the Closure Mount to the surface parallel with the back of the shade. Ensure that the bottom of the Closure Mount is in line with the bottom of the build-in pocket. Secure to the mounting area at 24"-30" intervals.

Bottom Closure Installation: Bottom Closure should be installed AFTER the shading system has been mounted inside the pocket. Simply hook the Bottom Closure to the closure hook projection inside the pocket. Gently pull down to hook into place along the entire length.



Fascia Attachment

Fascia Installation: Once the brackets have been installed and the shade has been mounted in place, locate the correct fascia for the shade. Hook the top of the fascia into the groove on the top of the bracket then press the bottom of the fascia to snap it into the groove at the bottom of the bracket. Sometimes the fit is tight and may require some force to snap in place.

To remove the fascia: Pull down on the bottom flap of front fascia to unhook and simply lift the fascia off of the bracket. If you are having trouble with this, or for removing rear fascia, you may be able to slide the fascia left or right to unhook from one of the brackets, making it easier to remove from the other.

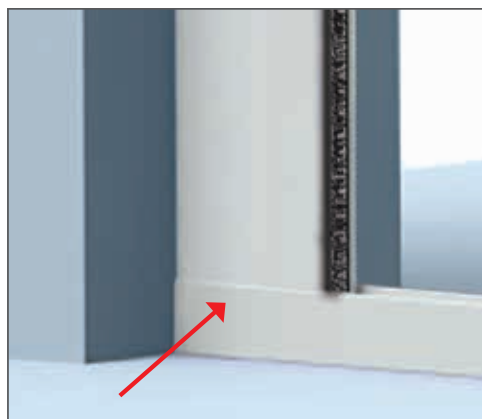


End Cap Attachment

End Cap Installation: If ordered, End Caps will be in the hardware box. These caps require no tools to install. Simply clip on to the end of the bracket. For applications with fascia, insert the tab of the end cap between the fascia and the bracket and press into place. Tabs can be bent slightly for a tighter fit.



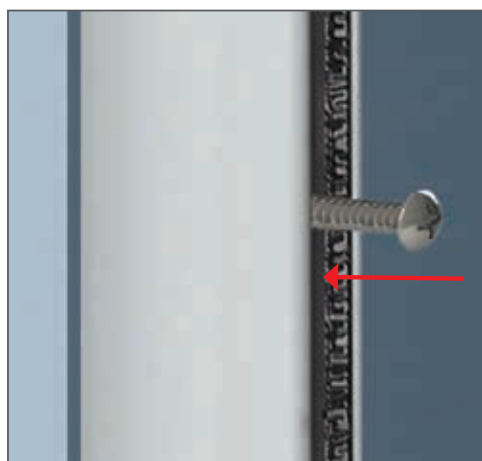
INSTALLATION INSTRUCTIONS - SHADING ACCESSORIES



Side/Sill Channel Corner

Sill Channel Installation: *NOTE: if using sill channel with side/center channel, the sill channel MUST be installed first.*

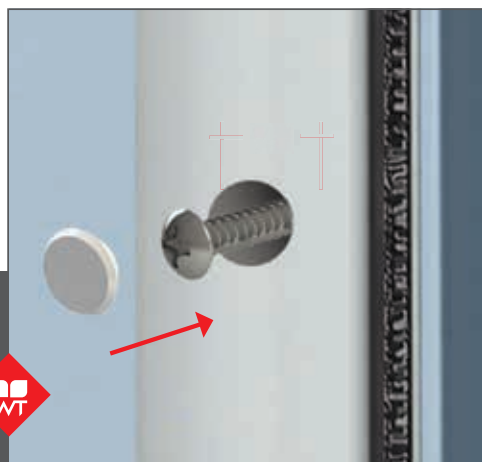
Lower the shade so the hembar is touching the sill. Determine the best location for the sill channel by identifying where the hembar can come down inside without pulling. Affix to the sill using double sided tape or by drilling straight down through the channel into the sill. If using screws, make sure the screws are flush inside the channel so as not to interrupt the operation of the shade or damage the fabric.



Jamb Mount

Side & Center Channel Installation: *NOTE: if using side channel with sill channel, the sill channel MUST be installed first. Side/Center Channel should seat inside the sill channel when installed correctly. Side/Center Channel can be installed in a variety of ways using double sided tape or screws.*

Jamb Mount Applications: Align the flat backside of the side channel with the back side of the bracket. If using screws, carefully insert the screw into the channel and secure to the window jamb through the back of the Side Channel (you may wish to pre-drill holes through the back of the channel). You must make sure the screws are flush inside the channel so as not to interrupt the operation of the shade or damage the fabric. If using tape, simply press the tape onto the back of the channel and press to affix to the wall. Once attached, slip the hembar into the top of the channel.



Surface Mount

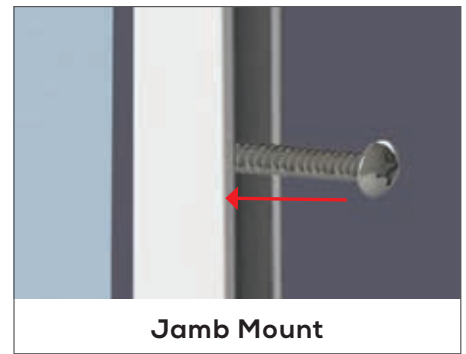
Surface Mount Applications: Align the flat backside of the side channel with the back side of the bracket. If using screws, drill 1/2" holes into the front side of the side channel at equal spaces. **DO NOT DRILL HOLES THROUGH THE BACK WALL OF THE CHANNEL.** Carefully insert the screw into the channel through the holes and secure to the wall surface through the other side of the Side Channel (you may wish to pre-drill holes through the other side of the channel as well to make getting the screws through a little easier). Insert the color matching hole plugs into these 1/2" holes to finish. If using tape, simply press the tape onto the wall side of the channel and press to affix to the wall.

Once attached, slip the hembar into the top of the channel.



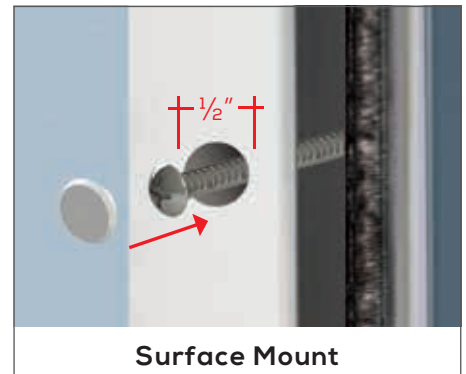
Guide Track Installation:

Jamb Mount Applications: Align the flat backside of the side track with the back side of the bracket. Carefully insert the screw into the track and secure to the window jamb through the back of the Guide Track (you may wish to pre-drill holes through the back of the track). You must make sure the screws are flush inside the track so as not to interrupt the operation of the shade or damage the fabric. If using tape, simply press the tape onto the back of the track and press to affix to the wall. For external hembars, replace the standard end caps with the wheeled end caps (Heavy Duty hembars will already have the wheels attached) and, slip the hembar into the top of the track.



Jamb Mount

Surface Mount Applications: Align the flat backside of the guide track with the back side of the bracket. If using screws, drill 1/2" holes into the front side of the guide track at equal spaces. **DO NOT DRILL HOLES THROUGH THE BACK WALL OF THE CHANNEL** Carefully insert the screw into the track through the holes and secure to the wall surface through the other side of the track (you may wish to pre-drill holes through the other side of the track as well to make getting the screws through a little easier). Insert the color matching hole plugs into these 1/2" holes to finish. If using tape, simply press the tape onto the wall side of the track and press to affix to the wall. For external hembars, replace the standard end caps with the wheeled end caps provided in the hardware box (Heavy Duty hembars will already have the wheels attached) and, slip the hembar into the top of the track.

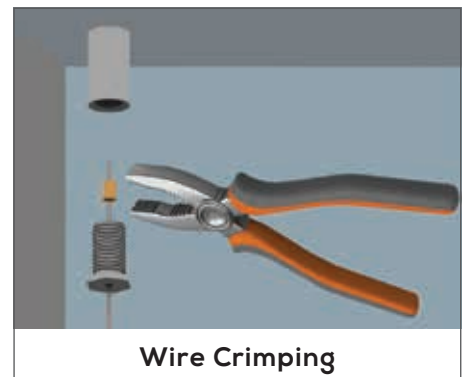


Surface Mount

Guide Wire Cable Kit Installation:

Guide Cable Kits can be installed on either side of a shade or directly behind it. You may install as many kits as you feel are necessary on each shade. Determine how you wish to install the cables (wall or ceiling/jamb) and where you want them attached to the shade (side or back).

Unscrew the top and bottom of one of the larger barrels, and slip one end of the steel cable through the hole in the top. Secure the wire by crimping one of the studs to the end of the wire and clip off the excess wire (so that when the pieces are screwed back together, the crimp and end of the cable are on the INSIDE of the barrel).



Wire Crimping

Install the bottom of the barrel either through the large hole in the bottom (ceiling/jamb mounts) or by installing the small angle to the wall and attaching the bottom of the barrel with a small screw (provided). Reattach the top and bottom of the barrel, only a little so that it is threaded but not tight. **DO NOT TIGHTEN ALL THE WAY.** You will need the extra space to tighten the cable later. Repeat this for the top of any other remaining cables you wish the use on the shade.



INSTALLATION INSTRUCTIONS - SHADING ACCESSORIES

Guide Wire Cable Kit Installation (Continued):

If installing up the back of the shade, remove the end caps and slide the Cable clips into the groove on the back of the External Hembar. Secure in place using the attached set screw.

If installing down the side of the shade, remove the end caps and replace with the Guide Wire Cable End Caps (provided) and thread the wire through the channel in the cap.

Separate the tops and bottoms of the remaining barrels. Install to match the location of the top barrels (use a level to ensure they are parallel). Insert the cable through the top of the barrel and stretch the cable as much as you can to determine where to place the stud. Crimp and cut as previous. Screw the top of the barrel into the bottom barrel. Now tighten both the top and bottom barrels by screwing them together as tight as necessary to keep the wire very taught. Repeat for all the remaining barrels.

Idle Cable Support Kit Installation:

Idle Cable Support Kits can be installed horizontally across the width of a shade to lend support to sagging fabric in sloped or skylight applications. You may install as many kits as you feel are necessary.

Unscrew the top and bottom of one of the barrels, and slip one end of the steel cable through the hole in the top. Secure the wire by crimping one of the studs to the end of the wire and clip off the excess wire (so that when the pieces are screwed back together, the crimp and end of the cable are on the INSIDE of the barrel).

Install the bottom of the barrel either through the large hole in the bottom (jamb mounts) or by installing the small angle to the wall and attaching the bottom of the barrel with a small screw (provided). Reattach the top and bottom of the barrel, only a little so that it is threaded but not tight. **DO NOT TIGHTEN ALL THE WAY.** You will need the extra space to tighten the cable later.

Cut the Cable Sleeve to 2" shorter than the width of the shade, and slide the cable through the sleeve.

Separate the top and bottom of the remaining barrel. Install to match the height of the first barrel (use a level to ensure they are parallel). Insert the cable through the top of the barrel and stretch the cable as much as you can to determine where to place the stud. Crimp and cut as previous. Screw the top of the barrel into the bottom barrel. Now tighten both the top and bottom barrels by screwing them together as tight as necessary to keep the wire very taught.



Guide Wire Cable End Caps

STILL HAVE QUESTIONS? GIVE US A CALL!

WT Shade Customer Service:

(877) 294-3580

Monday - Friday

8:30AM - 5:00PM



INSTALLATION INSTRUCTIONS

Thank you for selecting WT Shade as your shading solution! We hope you will be pleased with the outcome of your project, and we strive to do everything in our power to make that so. If you have questions regarding our Shading Systems and Accessories, please visit **WTShade.com** for detailed information, or call:

WT Shade Customer Service:
(877) 294-3580
Monday - Friday
8:30AM - 5:00PM

**Follow these
instructions for:**

BottomRISE™
BOTTOM-UP
SHADING SYSTEMS

Before you Begin

Ensure the area is clean and prepared for shade installation: Installation should never occur if the area is not fully complete. Additional installations such as wall paneling, pocket installations, painting and other types of finishes must be complete prior to shade installation. The area should be clean and free from dust and debris. We recommend cleaning the glass of the window prior to installation to ensure that no cleaning solutions will come into contact with the shade fabric. Wood blocking is required for all installations and should have been installed prior to finishing the walls.

Locate all necessary hardware and boxes: Brackets, bead stops, accessories, motor controls, power supplies, and other small items may be shipped in a separate box from the shades. Check the packing slip to locate the number of boxes received and ensure that all the hardware is present before beginning.

NOTE: ALL MOTORS REQUIRE PROGRAMMING

The following instructions are for physical shade installation only and do not include information about motor programming, please contact WT Shade Customer Service.

Tools you will need to provide:

- Recommended screws: #10 or #12 Hex Head Screws. Jamb mount applications will require pan head screws
- Washers
- Electric screw driver/drill with appropriate tips
- 1/16" Allen Wrench
- Hand-held screw driver with Phillips head bits (#1 & #2)
- Measuring tape
- Level
- Combination Pliers
- Motorized Only - Programming tools (i.e. Motor Controls, Limit Setting Tools & Switches, etc.)
- Motorized Only - Wiring



1. Identifying Mounting Type and Location



Before you begin, you must identify the proper shade positioning with regard to the frame. Shades ordered for Inside Bracket (IB) installations are for mounting inside of the window frame. Shades ordered for Outside Bracket (OB) installations are for mounting outside of the window frame. FAB shades should be treated as an OB installation.

WT Shade brackets come pre-set for your desired Mounting Location (Ceiling/Jamb or Wall Mount). If this needs to be changed, all SoloMount Brackets (and some Slim Brackets) can be adjusted by removing the screws at the base of the Mounting Flange, and the Mounting Flange can then be moved to the desired location. It can also be extended if you encounter an installation that requires you to move the fabric or roller away from the ceiling or wall.

2. How to Install Brackets

IB Installations:

Using the window frame as a guide, determine the location you will be installing the first bracket. If you will be adding fascia (SoloMount style brackets only) be sure to leave enough room in front so the fascia will be flush with the surface outside the frame.

Using two screws, affix the bracket to the installation surface. Ensure the screws are secure.

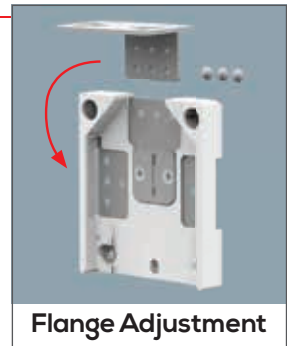
Follow the same process for the opposite side.

OB/FAB Installations:

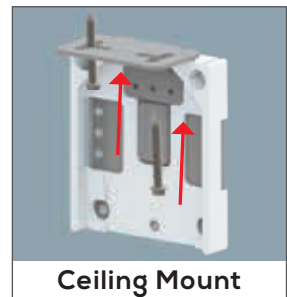
To ensure proper coverage, locate the center line of the space in which you will be installing. Divide the FINISHED WIDTH of the shade in half and use this measurement to locate where you will install your first bracket.

Using two screws, affix the bracket to the installation surface. Ensure the screws are secure.

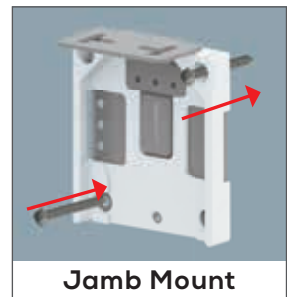
Measuring from the OUTSIDE FACE of the first bracket, affix the second bracket so that the distance between the OUTSIDE FACES of both brackets is equal to the FINISHED WIDTH of the shade. Use a level to ensure both brackets are even with each other and perpendicular to the floor.



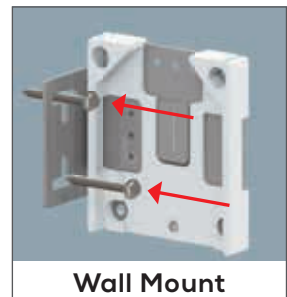
Flange Adjustment



Ceiling Mount



Jamb Mount



Wall Mount

PRO TIP

Before installing anything, determine whether your shade is Drive Right or Drive Left (location of the motor or clutch) and identify each bracket in the pair. Be sure to install the correct bracket for each side of the shade.

Drive brackets



Idler brackets



3. Installing and Mounting the Take-Up Assembly

Install the top most brackets following the instructions from step 2 for the appropriate bracket installation type.

Slide the wire spools onto the blank tube but do not secure in place.

Mount the blank tube onto the brackets by beginning at the idler end and inserting the idler pin into the center hole of the idler bracket. Using gentle pressure, depress the spring loaded idler by pressing against the bracket and bring the opposite side up and into alignment on the other side.

Ensure that the hook at the end of the clutch or motor is seated properly in the slot.



**For manual shades: the chain should be running on either side of the set screw. If not, simply unhook the clutch and adjust the chain. Secure the shade to the bracket by hand tightening the set screw at the bottom of the clutch. DO NOT USE A POWER TOOL TO DO THIS.*

Determine the location of the wire spools by marking the tube at a distance of 1/4 to 1/3 of the shade width from each end. Slide the wire spool to these spots and secure using the provided screws. The position of these spools may need to be adjusted later. **CAUTION: SCREWS MUST NOT PENETRATE MOTOR.**

4. Installing and Mounting the Shade Band Assembly

For Regular Roll: The spring will ALWAYS be on the right side of the shade.

For Reverse Roll: The spring will ALWAYS be on the left side of the shade.

Install the bottom most brackets following the instructions from step 2 for the appropriate bracket installation type. These brackets should mirror the previous brackets and may need to be installed "upside down."

Remove the paper sleeve from the shade band and discard. At this point the fabric of the shade will be loose and it is important to make sure it is protected from dust and dirt throughout the rest of the installation.

Insert the cable guides by removing one of the hembar end caps and sliding the guides into the channel on the back of the hembar. Do not secure. Replace end cap.

Mount the fabric tube onto the brackets by beginning at the idler end and inserting the idler pin into the center hole of the idler bracket. Using gentle pressure, depress the spring loaded idler by pressing against the bracket and bring the opposite side up and into alignment on the other side.

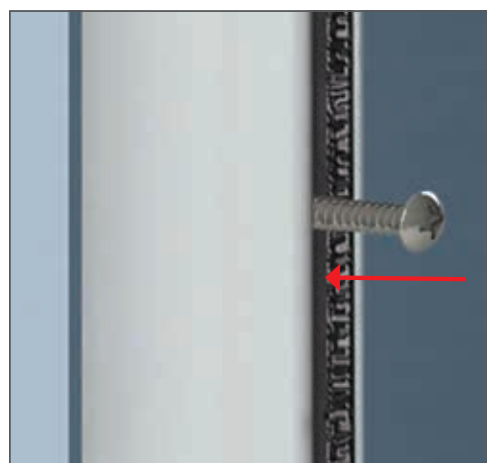
<h2 style="margin: 0;">⚠ WARNING</h2> <p>Bead Chain can STRANGLE young children.</p> <ul style="list-style-type: none"> Always keep bead chains out of children's reach. Move cribs, and other furniture away from bead chains. Children can climb furniture to get to bead chain. Attach tension device to wall or floor. Fasteners provided with tension device may not be appropriate for all mounting surfaces. Use appropriate anchors for the mounting surface conditions. For more information about the ANSI/WCMA Safety Standard please visit WCMA.net.org 	<h2 style="margin: 0;">⚠ ADVERTENCIA</h2> <p>La cuerda ciega de la ventana puede ESTRANGULAR su niño.</p> <ul style="list-style-type: none"> Mantenga todas las cuerdas fuera del alcance de los niños. Mueva la cuna y los muebles. Los niños pueden subir los muebles para alcanzar las cuerdas. Conecte el dispositivo de tensión a la pared o al suelo. Los sujetadores provistos con el dispositivo de tensión puede no ser apropiados para todas las superficies de montaje. Utilice anclajes apropiados para las condiciones de la superficie de montaje.



5. Installing Side Channels or Guide Track (OPTIONAL)

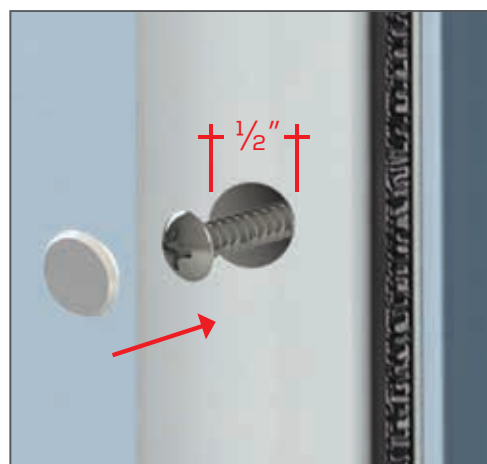
If using Side/Center Channel or Guide Track, you must install it at this point. It can be installed in a variety of ways using double sided tape or screws.

**For Guide Tracks: Replace the standard hembar end caps with the wheeled end caps.*



Jamb Mount

Jamb Mount Applications: Align the flat backside of the channel/track with the back side of the bracket (for regular roll installations) or the front side of the bracket (for reverse roll installations). If using screws, carefully insert the screw into the channel/track and secure to the window jamb through the back of the channel/track (you may wish to pre-drill holes to make it easier). You must make sure the screws are flush inside the channel/track so as not to interrupt the operation of the shade or damage the fabric. If using tape, simply press the tape onto the back of the channel/track and press to affix to the wall.



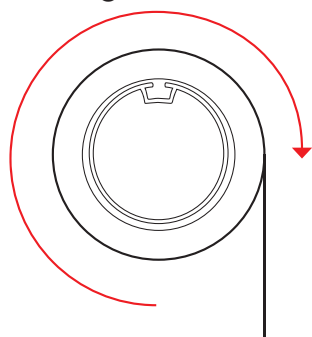
Surface Mount

Surface Mount Applications: Align the flat backside of the channel/track with the back side of the bracket (for regular roll installations) or the front side of the bracket (for reverse roll installations) If using screws, drill 1/2" holes into the front side of the channel/track at equal spaces. DO NOT DRILL HOLES THROUGH THE BACK WALL OF THE CHANNEL/TRACK. Carefully insert the screw through the holes and secure to the wall surface through the other side of the channel/track (you may wish to pre-drill holes to make it easier). Insert the color matching hole plugs into these 1/2" holes to finish. If using tape, simply press the tape onto the wall side of the channel/track and press to affix to the wall.

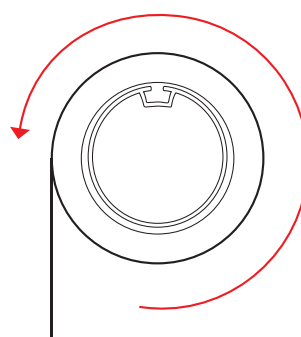
6. Threading the Wire

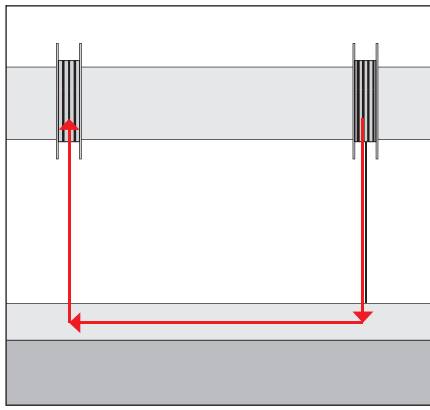
Locate the Nylon cord provided with the shade, and thread the end through the small hole located on the wire spool. Leaving approximately 2"-3" loose, secure the cord to the spool with a double knot at the outside of the spool. Wrap the cord around the spool a minimum of 4 times. The direction of the wrap should mimic the direction of the fabric and depends on whether the shade is regular roll or reverse roll.

Regular Roll



Reverse Roll





If using Guide Track or Side Channels, you must insert the hembar into the Track/Channel prior to this step.

Guide the cord to the cable guides you previously attached to the hembar, sliding the cord through the first cable guide below the spool, then the second and then back up to the second wire spool, so that the cord makes a rectangle.

Wrap the cord around the spool the same amount as you did the first, and secure it through the hole on the wire spool using a double knot as previous. Leaving 2"-3" extra, you may trim the cord length at this time.

Adjust the position of the cable guides so that they are placed directly below each spool and so the hembar is parallel to both the top and bottom tubes. Lock the cable guides in place by using an Allen wrench.

PRO TIP

It may be easier to remove the cable guides from the hembar, thread the cord through them and reinsert them into the channel on the hembar.

7. Adjusting the Spring Tension

The spring must be pre-wound using our Spring Tensioning Tool. Gently remove the bottom band from the brackets and attach the tool to the spring to the projection on the spring. Turning CLOCKWISE, turn the tool 10 times. Reinstall the shade in the brackets.

You may now test the operation of the shade by raising it all the way up and all the way down.

While in the up position, make any necessary adjustments to the cable guides so that they aligned properly with the spools. The cord should be perfectly perpendicular to the hembar and the tube. If it is at an angle, this will cause unnecessary strain on the cord and could possibly cause it to break.

While the shade is traveling down, make sure that there is enough tension so that the fabric stays taught and rolls up on the tube nice and tight. If there is not enough tension you may make some additional turns to the spring to provide more torque but do NOT over-wind the spring. DO NOT EXCEED 15 TURNS.



8. Setting the "Limits"

**For Manual Shades: To "set the limits"- Roll the shade to the "up" position. Identify the bead on the chain that is located just below the clutch. Wrap one of the matching Bead Stops, located in the hardware box, around the bead and squeeze it shut with pliers. Extend the shade to the "down" position and repeat this step on the other side of the chain.*

**For Motorized Shades: Motor limit setting will vary depending on the communication type. Contact WT Shade for information about motor programming.*

9. Finishing Touches

Install the Child-Safety Tension Device:

Pull the Child Safety Tension Device and depress slightly so it slides to the bottom of the chain loop. When installed properly, the chain should not be too tight that it hinders operation, should not be able to be pulled away from the wall any further than 6" and the chain connector should not be able to be opened without removing the Tension Device. Using two of the long screws, included in the hardware box, install the Tension Device. It can be jamb, wall, or sill mounted. Select the best method of installation for your application type.

Fascia Installation: Once the brackets have been installed and the shade has been mounted in place, locate the correct fascia for the shade. Hook the top of the fascia into the groove on the top of the bracket then press the bottom of the fascia to snap it into the groove at the bottom of the bracket. Sometimes the fit is tight and may require some force to snap in place.

To remove the fascia: Pull down on the bottom flap of front fascia to unhook and simply lift the fascia off of the bracket. If you are having trouble with this, or for removing rear fascia, you may be able to slide the fascia left or right to unhook from one of the brackets, making it easier to remove from the other.

End Cap Installation: If ordered, End Caps will be in the hardware box. These caps require no tools to install. Simply clip on to the end of the bracket. For applications with fascia, insert the tab of the end cap between the fascia and the bracket and press into place. Tabs can be bent slightly for a tighter fit.

Idle Cable Support Kit Installation:

Idle Cable Support Kits can be installed horizontally across the width of a shade to lend support to sagging fabric in sloped or skylight applications. You may install as many kits as you feel are necessary.

Unscrew the top and bottom of one of the barrels, and slip one end of the steel cable through the hole in the top. Secure the wire by crimping one of the studs to the end of the wire and clip off the excess wire (so that when the pieces are screwed back together, the crimp and end of the cable are on the INSIDE of the barrel).

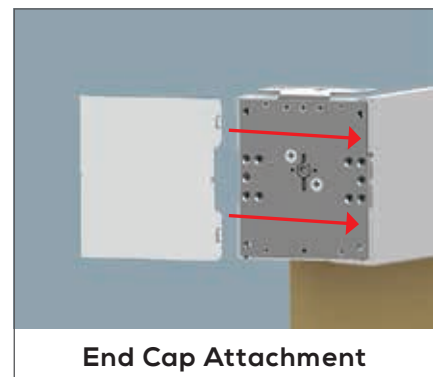
Install the bottom of the barrel either through the large hole in the bottom (jamb mounts) or by installing the small angle to the wall and attaching the bottom of the barrel with a small screw (provided). Reattach the top and bottom of the barrel, only a little so that it is threaded but not tight. **DO NOT TIGHTEN ALL THE WAY.** You will need the extra space to tighten the cable later.

Cut the Cable Sleeve to 2" shorter than the width of the shade, and slide the cable through the sleeve.

Separate the top and bottom of the remaining barrel. Install to match the height of the first barrel (use a level to ensure they are parallel). Insert the cable through the top of the barrel and stretch the cable as much as you can to determine where to place the stud. Crimp and cut as previous. Screw the top of the barrel into the bottom barrel. Now tighten both the top and bottom barrels by screwing them together as tight as necessary to keep the wire very taut.



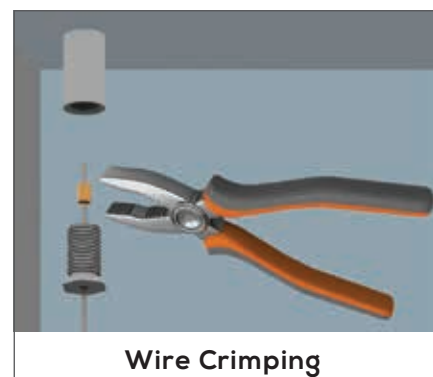
Child-Safety Tension Device



End Cap Attachment



Fascia Attachment



Wire Crimping



BASIC PROGRAMMING INSTRUCTIONS

Motors are shipped in FACTORY MODE without limit settings and are not assigned to any controls. These are very basic instructions that will allow you to program and set up an RTS motor. If you are looking for more advanced instruction or for instructions about specific motor accessories other than those mentioned here, please contact WT Shade Customer Service.

WT Shade Customer Service:
(877) 294-3580
Monday - Friday
8:30AM - 5:00PM

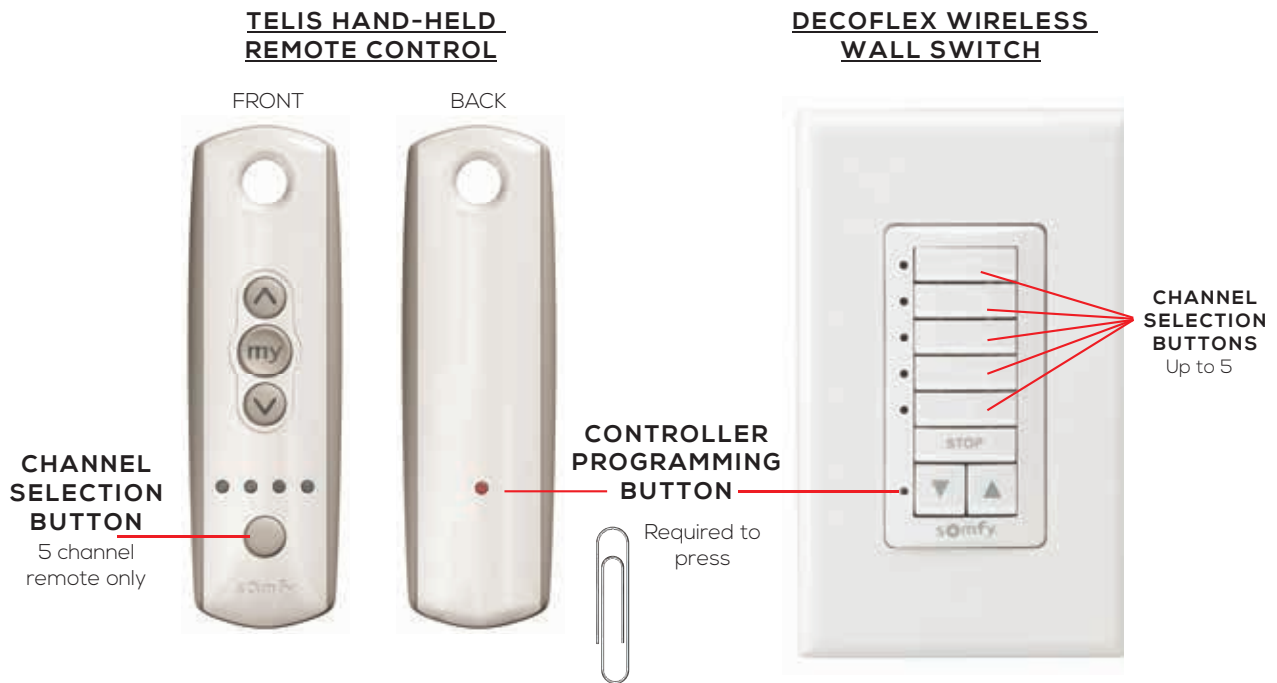
Follow these instructions for:



Before you Begin

Shades MUST be installed in brackets and connected to power prior to these steps. Do not attempt to program a motor that is laying on a table or is not inserted into a tube. Power must ONLY be connected to the RTS window covering being programmed. **All other window coverings must be disconnected from their respective power or put into sleep mode (ST30 Wirefree only) while programming.**

While programming, motor should not be inactive for longer than 2 minutes or it will exit PROGRAMMING MODE.



Tools you will need to provide:

- A remote control or wall switch
- A paper clip

For more advanced instructions than those given here, visit <https://WTShade.com/document-library/> to download the RTS Pocket Programming Guide.

SETTING MOTOR LIMITS

1. Use the **Channel Selector Button** to select one channel which will control the shade. You may add the shade to additional channels later.
2. PRESS and HOLD ▲ and ▼ at the same time until the shade jogs.
3. Check the direction of the motor: When you PRESS AND HOLD ▼ the shade should roll down. If it does not, you must reverse the motor direction. PRESS and HOLD **MY/STOP** until shade jogs.
4. Set the upper limit: Using the ▲, ▼, and **MY/STOP** buttons, bring the shade to the desired upper most limit (with the shade rolled all the way up). PRESS and HOLD ▼ and **MY/STOP** at the same time until the shade begins to move.
5. Set the bottom limit: Using the ▲, ▼, and **MY/STOP** buttons, bring the shade to the desired bottom most limit (with the shade unrolled all the way up). PRESS and HOLD ▲ and **MY/STOP** at the same time until the shade begins to move.
6. Confirm Limits: PRESS and HOLD **MY/STOP** until the shade jogs.
7. Complete Programming: PRESS and HOLD (For ST30 Wirefree only: TAP) the **Controller Programming Button** until shade jogs.
8. If you have more motors to program: Disconnect this motor from power and power up the next motor. Repeat these steps for all motors.

PRO TIP

A “jog” is a brief up and down motion, like a nod.

PRO TIP

If you must PRESS and HOLD ▲ or ▼ for the motor to move it is still in PROGRAMMING MODE. To put the motor into USER MODE, PRESS and HOLD the **Programming Button** until shade jogs.

ADJUSTING MOTOR LIMITS

NOTE: ONLY ADJUST ONE MOTOR AT A TIME. If more than one motor exists on a channel, you must power off the other motors on the channel.

1. Use the **Channel Selector Button** to select a channel that controls the shade you wish to adjust.
2. TAP ▲ or ▼ and allow the shade to stop at the current limit you wish to adjust.
3. PRESS and HOLD ▲ and ▼ at the same time until the shade jogs.
4. Using the ▲, ▼, and **MY/STOP** buttons, bring the shade to new position for the limit.
5. PRESS and HOLD **MY/STOP** to set the new position.
6. If you have more motors to adjust: Disconnect this motor from power and power up the next motor. Repeat these steps for all motors you wish to adjust.

ADDING MOTORS TO OTHER CHANNELS OR DEVICES

NOTE: When copying and pasting motors to other channels or other control devices, it is important to note that ALL motors on the channel will copy and paste IF CONNECTED TO POWER. If you only want to copy or paste one motor from a channel, you must power off the other motors on that channel.

1. Use the **Channel Selector Button** to select the channel that contains the motor or motors you want to “copy”.
2. PRESS and HOLD the **Controller Programming Button** until shade jogs.
3. Use the **Channel Selector Button** (on the same device or a new device) to select the channel you wish to “paste” the programming onto.
4. PRESS and HOLD (For ST30 Wirefree only: TAP) the **Controller Programming Button** until shade jogs.
5. Repeat steps 1-4 for each channel you wish to duplicate elsewhere.

To create an ALL Channel:

Follow steps 1-4 for each motor, ensuring that each motor is powered individually while copy/pasting. Select the same channel in step 3 for each motor. When all motors are powered back on, they will all be able to be controlled from this channel.

Copying from the motor itself (Low Voltage only):

If you have lost a controller, or wish to isolate a specific motor that is only included in a group channel, you can copy the motor directly by pressing the **Motor Programming Button** located on the motor head, for one jog, then follow steps 3-4 above to place it on a new channel.

To remove shade from a device or channel

To remove a shade, using the steps above isolate the shade onto a new channel other than the one you wish to delete it from. Copy this new channel and paste it BACK onto the channel you wish to remove it from. Pasting identical programming back onto itself will delete it.

SET/RESET INTERMEDIATE POSITION

1. Use the **Channel Selector Button** to select the channel that contains the motor or motors you wish to set an intermediate position for.
2. TAP ▲, ▼, and **MY/STOP** to bring the shade to the desired intermediate position.
3. PRESS and HOLD **MY/STOP** to set the new position.
4. Repeat these steps to reset the intermediate position as many times as desired.

NOTE: The intermediate position is stored in the motor and will be the set intermediate position for every channel it is programmed to.

RESETTING MOTORS TO FACTORY DEFAULT

Sometimes it's best to just start from scratch. Motor resetting varies from model to model. If you are not certain which motor you have, you can check the label located on the motor tube.

For Low Voltage Motors:

1. Locate the **Motor Programming Button** on the head of the motor (See Below).
2. PRESS and HOLD the **Motor Programming Button** until shade jogs 3 times consecutively.

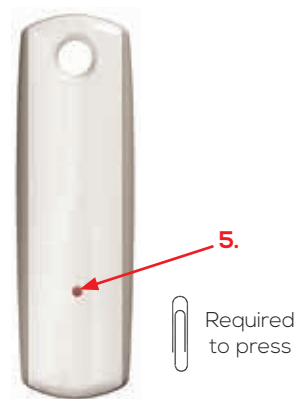
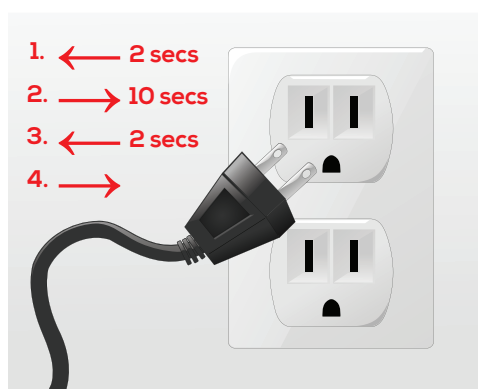
Motor Programming Buttons for Low Voltage Motors



For Line Voltage Motors (Double Power Cut):

NOTE: You must be able to access both the power connection and a controller in order to properly reset the motor.

1. DISCONNECT the motor from power (unplug) for 2 seconds.
2. RECONNECT the motor to power (plug in) for 10 seconds.
3. DISCONNECT the motor from power (unplug) for 2 seconds.
4. RECONNECT the motor to power (plug in). Motor will begin to move.
5. When the shade stops moving, PRESS and HOLD the **Controller Programming Button on any controller** until shade jogs 2 times consecutively.



SLEEP MODE (ST 30 WIREFREE ONLY)

1. PRESS and HOLD the **Motor Programming Button** (located on the head of the motor) until shade jogs.
2. Briefly TAP the **Motor Programming Button**. The shade will jog twice indicating it has entered sleep mode.

To Awaken Motor:

1. Briefly TAP the **Motor Programming Button**. The shade will jog once to indicate it is now active.



BASIC PROGRAMMING INSTRUCTIONS

These installation steps will cover the most basic information necessary to successfully install any MotoRise system that contains a Wired Motor. For more advanced information or to troubleshoot issues you are having with an installation, please contact :

WT Shade Customer Service:
(877) 294-3580
Monday - Friday
8:30AM - 5:00PM

Follow these instructions for:



With Group Controller

Before you Begin

Shades MUST be installed in brackets prior to these steps. Do not attempt to program a motor that is laying on a table or is not inserted into a tube.

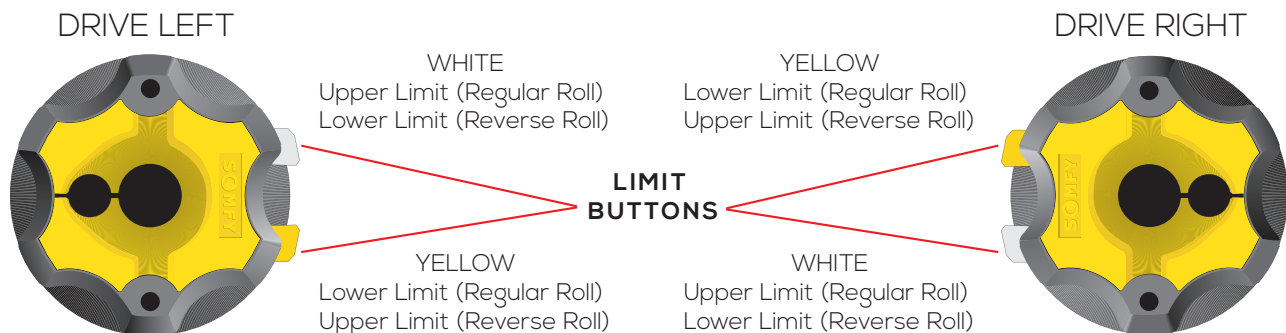
Tools you will need to provide:

- Limit Setting Switch (Consists of a DPDT Switch, wired to a 3 prong-plug and a cable with a Female Anderson Plug. Available per-assembled from WT Shade.)
- At least 1 WTGC wall switch
- 3 Conductor Power Cable for Power to Group Controller
- RS485 Data Cable for switch connection (1 per switch)

SET MOTOR LIMITS (RAPID LIMITS)

1. Connect motor to Limit Setting Switch via Anderson Plug.
2. Locate Mechanical limit buttons on the head of the motor.
3. Depress Limit Setting Buttons to release motor.
4. Use the Limit Setting Switch to move the motor to the desired upper limit. Press the appropriate limit button* to set the upper limit.
5. Use the Limit Setting Switch to move the motor to the desired lower limit. Press the appropriate limit button* to set the lower limit.

*Limit Buttons control different limits depending on the drive side and the roll direction of the shade. See below for the button functions depending on these factors.

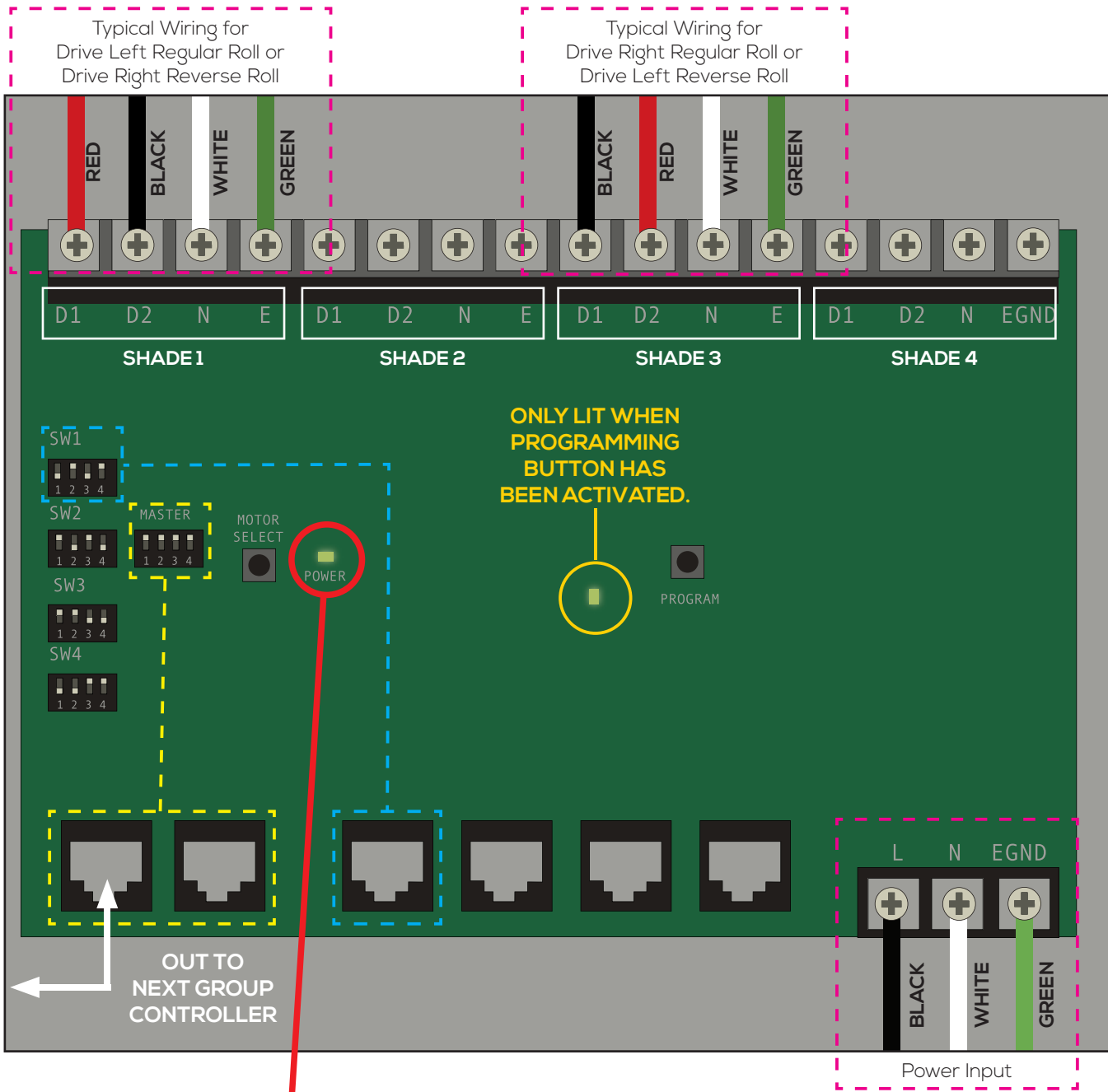


PRO TIP

If pressing ▼ on the limit setting switch results in the shade rolling up, you must reverse the red and black wires connected to the switch.

SIMPLIFIED VIEW- GROUP CONTROLLER

For ease of use, we have simplified the view of the Group Controller, limiting the components to only those which are necessary for motor installation and set up.



LIGHT WILL BE ON WHEN POWER IS LIVE



NOTE: DISCONNECT POWER INPUT BEFORE CONNECTING MOTOR CABLES AS SHOWN ABOVE. ONCE CONNECTED, BOX WILL BE LIVE.



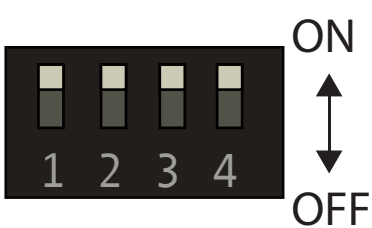
NOTE: Motor Limits must be set prior to performing the steps below

CONNECT MOTORS TO GROUP CONTROLLER

1. Connect all J-Box Leads to Group Controller. Only connect one lead per terminal.
2. Connect power to Group Controller. When powered correctly the green POWER LED will illuminate solid green.
3. Connect Motor Lead to J-Box Lead by connecting the male and female Anderson Quick Disconnect plugs. If wired correctly, the motors will move to their upper limit. NOTE: If motors move to lower limit the wires are reversed. Disconnect power from the Group Controller and reverse the wired from the motors moving in the wrong direction. *See previous illustration for proper wiring configuration to Group Controller.*

SET KEYPAD GROUP CONTROL

Each keypad connected to the Group Controller can connect ONE group of motors. Connect up to 4 switches to control up to 4 different groups. *The DIP switches on the left of the board correspond to the RJ45 ports at the bottom of the board.* **NOTE:** There is a single DIP switch that configures both Master Ports.



1. Set the DIP switches to the corresponding keypad inputs by moving them up to the "ON" position.
2. Once settings have been chosen, PRESS and HOLD the "MOTOR SELECT" button until the POWER LED turns off, then release. The Power LED will illuminate solid green.

SET DEFAULT INTERMEDIATE POSITIONS

1. PRESS and HOLD the "PROGRAM BUTTON" until the **PROGRAM LED** illuminates solid green then release. Motors will move first to the upper limit, then to the lower limit, and back to the upper limit. Once programming is complete the **PROGRAM LED** will turn off. Default intermediate positions (25%, 50%, 75%) are now set. Confirm operation by pressing each button on all connected keypads.

To Set Custom Intermediate Position:

1. Complete the Set Default Intermediate Positions programming above.
2. Using the keypad connected to the motor(s) you wish to control, adjust the window covering to the desired new intermediate position.
3. PRESS and HOLD the preset button you wish to reprogram with the new intermediate position until the motor(s) jogs to save.

DAISY-CHAINING MULTIPLE GROUP CONTROLLERS

1. Configure the Master DIP switches to control desired motors.
2. Connect open Master Port to an empty Master Port on the next Group Controller.



BASIC PROGRAMMING INSTRUCTIONS

Digital motors are capable of performing many intricate functions and can be programmed to do an extremely large number of things. These instructions will allow you to program and set up a very basic digital motor network. If you are looking for more advanced instruction, please contact WT Shade Customer Service.

WT Shade Customer Service:
(877) 294-3580
Monday - Friday
8:30AM - 5:00PM

**Follow these
instructions for:**



Before you Begin

You may perform the three steps of this installation in any order you see fit, but all three steps must be performed for motors to function properly.

Shading Schedule:

We strongly recommend creating a Shading Schedule prior to installing digital motors. A "Shading Schedule" is like a map for programming shades, outlining how each motor is grouped and what commands or controls each motor will respond to.

A blank shading schedule and a sample shading schedule are available for download at WTShade.com/document-library/

NOTE: YOU MUST ENSURE THAT THERE IS POWER TO THE SHADES PRIOR TO PERFORMING THESE INSTALLATION STEPS.

Tools you will need to provide:

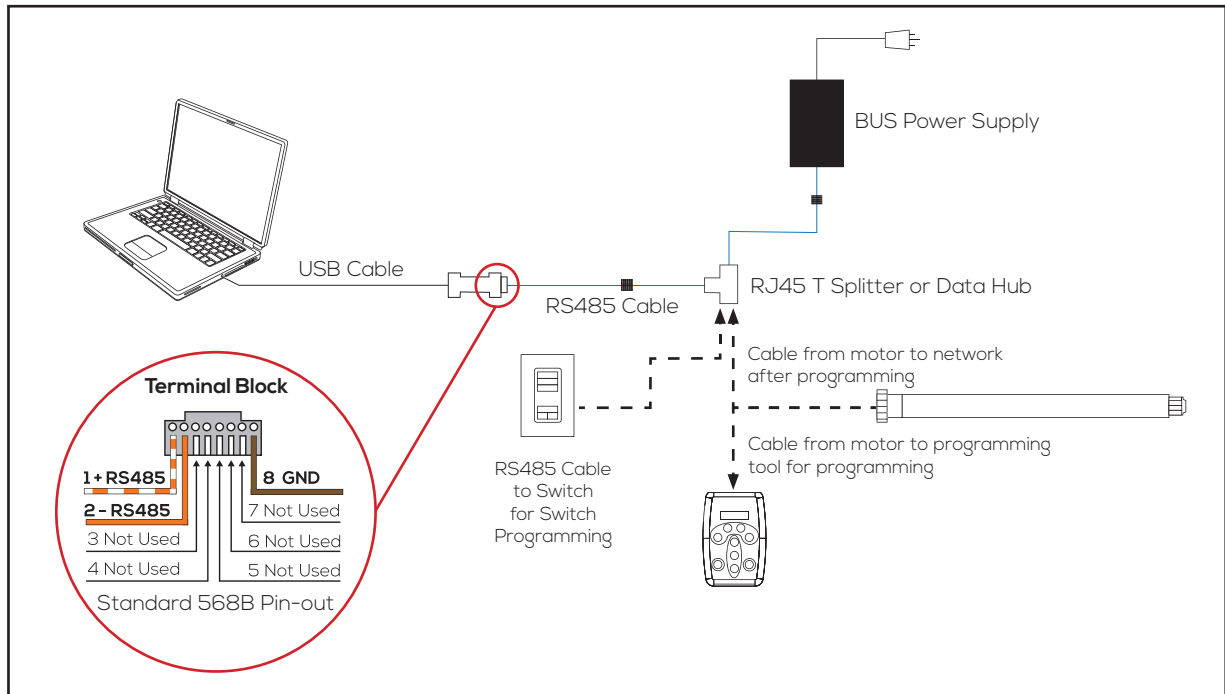
- Laptop
- USB to RS485 Adapter (with Drivers preloaded)
- Programming Cable- RJ45 to Terminal Block with Standard 568B Pin-out.
- Data Hub or T Splitter
- BUS Power Supply
- RS485 Limit Setting Tool
- RS485 Communication Cables

Visit <https://WTShade.com/document-library/> to download:

- **REQUIRED** - Somfy Motor Configuration Software
- **REQUIRED** - Somfy Keypad Configuration Software
- **OPTIONAL** - *Basic 6-Button Switch Pre-load*
- **OPTIONAL** - *Shade Schedule*



SET-UP FOR MOTOR/SWITCH PROGRAMMING



INSTRUCTION SET 1: LIMIT SETTING

Motor must be mounted in brackets and connected to power prior to completing this step.

1. Connect communication cable from the motor to Limit Setting Tool via the port in the top of the tool.
2. Press the to power on the Limit Setting Tool.



4. Check Motor Direction: When you press the shade should roll up. When you press the shade should unroll. If this is reversed follow these steps.



5. Use to move to the next step.

6. Set the top limit: Use and and to position the shade at its upper most point. To set:



7. Use to move to the next step.

8. Set the top limit: Use and and to position the shade at its upper most point. To set:



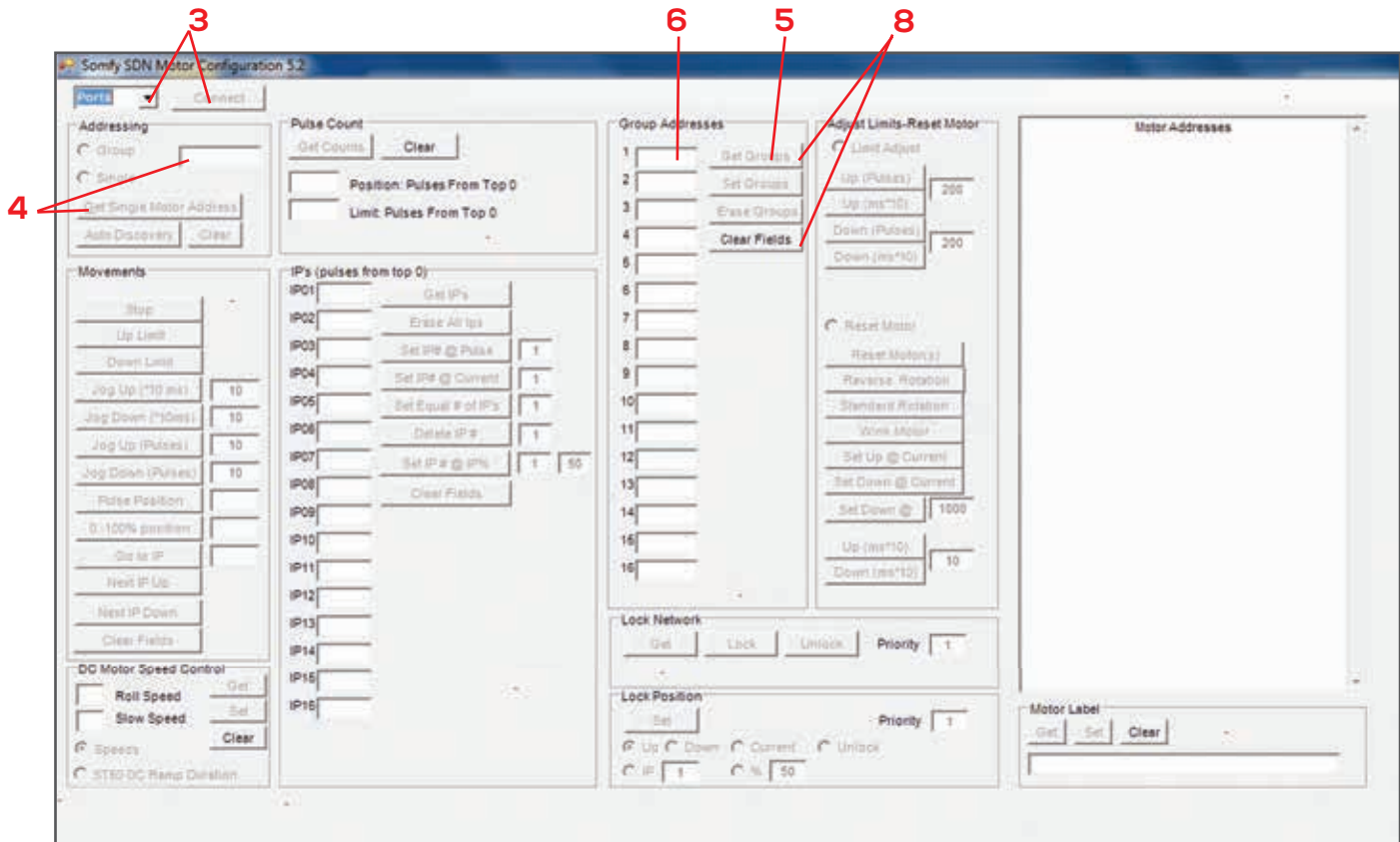
9. Repeat these steps for each motor.



INSTRUCTION SET 2: SETTING MOTOR GROUP ADDRESSES

You may perform these steps prior to installing the shade. Motor must be connected to power.

NOTE: There are ways to program motors all connected to one system, but the instructions vary slightly from these. These instructions are intended for small projects only.



1. Prepare your computer for the installation as previously shown and ensure you have preloaded the Somfy Motor Configuration Software on your machine.

2. Connect ONE MOTOR AT A TIME to this set up by connecting the data cable from the motor head to the T Splitter or Data Hub.

3. In the Somfy Motor Configuration Software:

From the drop-down menu in the upper left, select the correct port (there will most likely be only one option but if there are multiple, you can repeat the next step a few times to find the correct one) and hit "CONNECT."

4. Click "Get Single Motor Address". Make note of the Node ID. This is the address you will use to troubleshoot, adjust, or connect to this motor in the future.

5. Click "Get Groups". If the motor has never been programmed, the default addresses will generate as "FFFFFF" in all 16 Groups.

6. Input your group addresses from your shading schedule. Addresses should be Hexadecimal only (Numbers 0-9, Letters A-F).

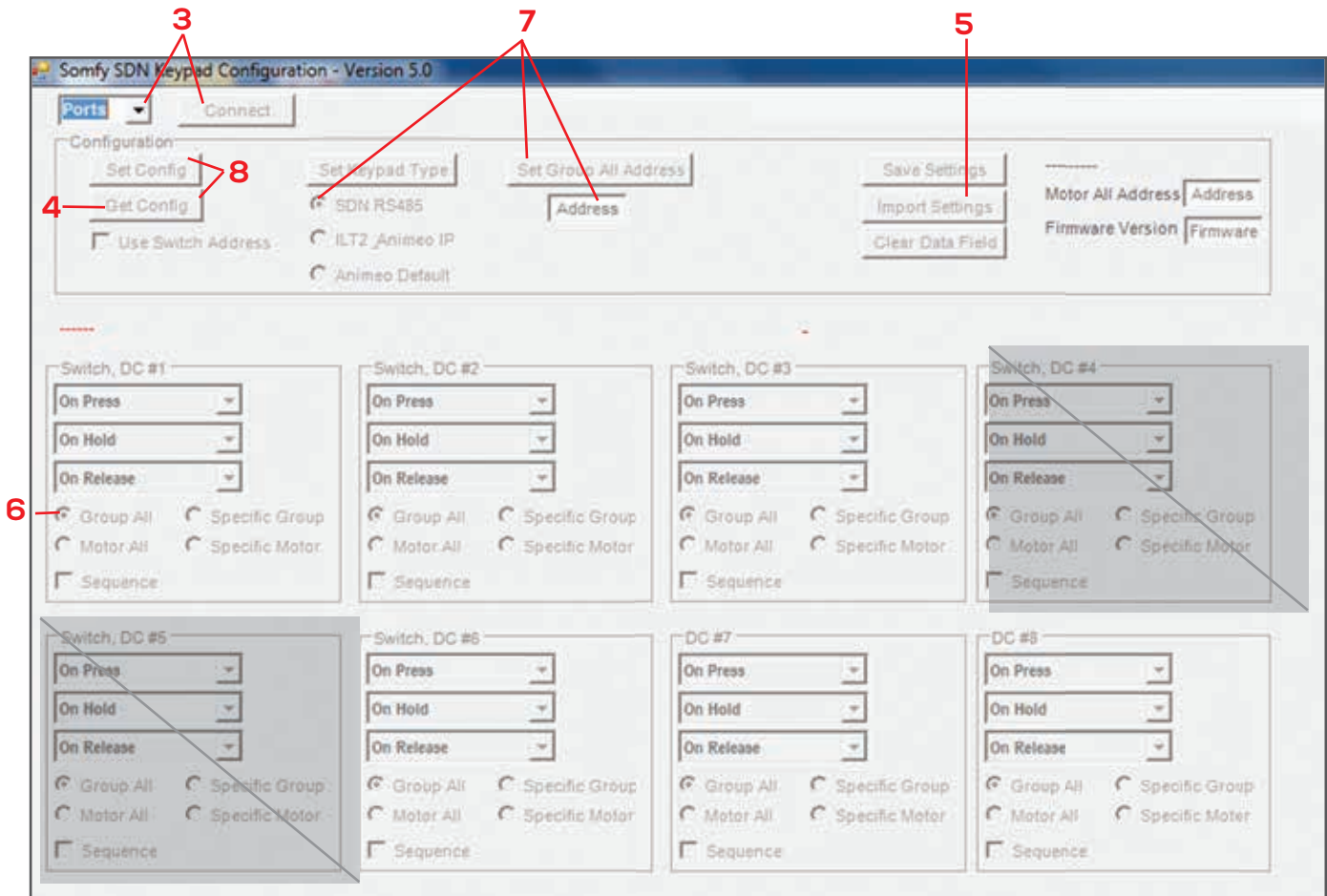
7. **MOST IMPORTANT ADDRESS** - You must input at least 1 unique switch address in order to control the shades. This switch address should be a Hexadecimal number that can be assigned to one or more switches. You may reuse the same switch address multiple times as long as each switch with that address is controlling the same shades in the same way. Any variation will require a new switch address.

8. Click "Set Groups" to save this programming. To double check that everything has saved correctly, click "Clear Fields" and then "Get Groups" and make sure the groups generate as you have set them.

9. Repeat steps 2-8 for each motor.

INSTRUCTION SET 3: SET UP A KEYPAD

You may perform these steps prior to installing the shade. **IMPORTANT NOTE:** You must isolate each keypad from the network to program. Do not attempt to program multiple switches at once.



1. Prepare your computer for the installation as previous and ensure you have preloaded the Somfy Keypad Configuration Software on your machine.

2. Connect ONE SWITCH to this set up by connecting the data cable from the motor head to the T Splitter or Data Hub.

3. In the Somfy Switch Configuration Software:

From the drop-down menu in the upper left, select the correct port and hit "CONNECT."

4. Click "Get Config".

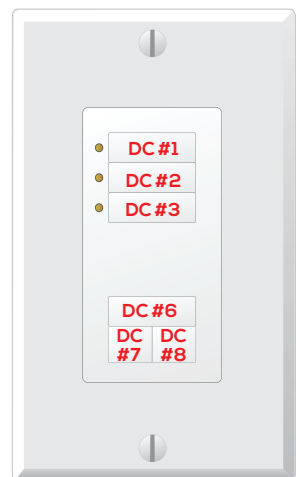
5. Click "Import Settings" and select the preload file "6 Button Keypad Preload" which can be downloaded at WTShade.com.

6. Adjust the settings for each button as desired. Make sure that "Group All" is toggled for each button

7. Input your switch address in the box and click "Set Group All Address". Ensure "SDN RS485" is toggled. **NOTE:** This switch address should match the switch address that was input into the motor groups in the previous instruction set.

8. Click "Set Config" to save this programming. To double check that everything has saved correctly, click "Clear Fields" and then "Get Config" and make sure the groups generate as you have set them.

9. Repeat these steps for each keypad.



Once installed, Roller Shades require very little care and maintenance. In order to prolong the life of your shades and keep them looking beautiful, some routine dusting may be required. Dust and dirt on your solar fabric can effect the color, the reflective properties, and even clog the space between the threads and effect the openness, and so removing it will be the main requirement in care.

- Gently remove dust from the surface of the fabric by using a feather duster or soft cloth.
- Use a low suction vacuum with soft attachment for hard to reach areas or to remove dust between threads.
- Compressed air may be used to blow dust away from between threads.
- For spot cleaning, use a soft damp cloth. Mild detergent may be added for more stubborn spots. Shades should be fully extended and allowed to dry completely before being operated.



Care Tip

Gently rub a non-static dryer sheet over your shade material to help prevent the collection of dust.

What NOT to do

- **NEVER** use harsh detergents or abrasive cleaners, such as alcohol, bleach or even baby wipes, which may damage, scratch or discolor the fabric.
- **NEVER** use a cloth which contains magnets, like many commercially sold dusting mitts. Magnets can damage certain types of fabric backings or cause motor malfunctions.
- **NEVER** clean windows with shades lowered. Always roll the shades up and away from the glass so that spray mist from glass cleaners does not damage the fabric.
- **NEVER** install shades in areas that are exposed directly to the elements. All WT Shade products are intended for INDOOR USE ONLY.
- **NEVER** rub fabric so hard as to damage the weave. Blotting is better.
- **NEVER** remove fabric from the shade tube without first contacting WT Shade. Removing the fabric may void your warranty.



GLOSSARY OF SHADING TERMS



A

AC (Alternating Current): An electric current that reverses direction in a circuit at regular intervals. Stands for "Alternating Current".

ANSI/WCMA: The child safety standard. Stands for American National Safety Institute/Window Covering Association of America.

Automation System: A computerized system that sets automatic functionality of the system components, such as shades and lighting.



B

Band: The portion of a shade that is made up of a fabric and chosen hembar.

Basketweave: A plain weave with two or more yarns woven together in a checkered pattern (over/ under) resembling that of a woven basket.

Batten: A stiffener that is used to give more structural stability to the fabric of a shade.

Bead Stop: A small chain attachment that prevents the chain from passing further through the clutch, and thereby stopping the shade at the set position (upper or lower limit).

Blackout: An opaque fabric that completely stops light from passing through it.

Bottom-up: A shade that is mounted at the bottom of the window, and when unrolled, will travel from the bottom of the window to the top.

Bottom Closure: "Bottom Closure" or just "Closure" is small flap that is used to cover the bottom of a shade in an aluminum pocket or with closure mount.

Brush Insert: A fringe of bristles at the edge of a channel or bottom of a hembar which assists with preventing light leakage.



C

Cable: (A) A bound or sheathed group of mutually insulated electrical wires (B) a thin metal rope.

Center Support: A hardware piece that is designed to connect two shade bands and allow for operation by one drive. See MULTIBANDED SHADE.

Chain: AKA "Drive Chain." AKA "Bead Chain." Refers to the string of beads that loops through a CLUTCH and, when pulled by hand, spins the tube and causes the shade fabric to move.

Chain Connector: A small connector that clips two ends of bead chain together to create a loop.

Channel: A small gutter that overlaps the fabric of a shade along the SILL or SIDE and combats light leakage but does not assist in the functionality of the shade.

Child Safety Tension Device: Used to put tension on the chain of a shade and prevent the loose cord from posing as a hazard to small children.

Closure Mount: Formerly known as "hanger", this piece is used as a point of attachment for Bottom Closure in cases where our shade pocket has not been used.

Clutch: A manual drive system that moves a shade when the attached bead chain is pulled, which turns the drum and spins the tube, allowing the fabric to wrap or unwrap around the tube.

Communication: A term that refers to the way a motor receives and sends operation commands.

Composition: Describes the raw materials used to create the finished fabric or component.

Control Side: AKA "Drive Side." Refers to the desired location of the shade drive. Can be Right or Left.

Control: Refers to the remote control or wall switch used to operate a motorized shade. Sometimes used as a synonym for DRIVE SYSTEM.

Curtain Wall: An outer covering of a building in which the outer walls are non-structural expanses of glass.

Cut-Out: A term used to describe the bottom of a shade which has been cut to an irregular shape to allow the shade to bypass an obstruction when fully extended, such as a convector (HVAC).



D

Daylighting: Using natural daylight to provide efficient interior lighting.

DC: An electric current flowing in one direction only. Stands for "Direct Current".

Decora Switch: In motorization, "Decorator style" or "Decora" switches sit almost flush with the wall and are operated by pressing the flat paddle up or down. Trademark of Leviton®



GLOSSARY OF SHADING TERMS

Deflection: A term used to describe the behavior of a roller shade tube where in the weight of the fabric in the center of the tube causes it to bow or sag.

Depth: The distance from the front to the back.

Digital: A form of motor communication using data in the form of digital signals to control a motor.

Double Shade: Double Shades are two individual layers of shades that are hung in the same window area using specially designed brackets in which the spacing between the shades has been engineered to ensure that neither shades will interfere with the other's operation. Double Shades come in two varieties: Piggyback and Tandem.

DPDT: Stands for "Double Pole, Double Throw" The number of poles on a switch defines how many separate circuits (Motors) the switch can control. A switch's throw-count defines how many directions the switch's poles can be connected to. Therefore, a DPDT switch can operate two motors, in two directions (up and down).

Drive System: "Drive System" or just "Drive" refers to the device used to operate the shade. It can be manual (like a clutch, a spring, or a gear), or it can be motorized. It can be on the right or left side of the shade.

Dry Contact: A form of power and communication for Low Voltage motors in which a set of contact relay circuits (which do not make or break the primary power current) are used to indicate to the motor the direction in which it should turn.

Duplex Hembar: A Duplex Hembar is a specially designed hembar that allows two pieces of fabric to be used on one shade band, combining the dual properties of both fabrics in one shade.

E

EcoFabrix: A Solar fabric brand, exclusive to WT Shade.

Edge Clearance: The room left on either side of a shade fabric which allows space for the shading hardware.

End Cap: A cover which is used to finish the end of something, such as a hembar, or as a decorative cover, such as for brackets.

External Hembar: A type of hembar style in which a decorative hembar is attached to the outside of the bottom of the shade.

Extruded: A term indicating that something has been created by pushing material through a die (like an open ended mold) and allowing it to harden as it comes out the other end in the shape of the die.

F

FAB: A term used to indicate that a shade should be made using the given width as the width of the actual Fabric Band itself, not the finished shade which will be wider when the hardware is added.

Fascia: A detachable cover that masks the roll of a shade from the front or the back by clipping onto a SoloMount Bracket.

G

Glare: To shine with a harsh uncomfortably brilliant light. A negative effect of the sun.

Greenguard: The Greenguard Indoor Air Quality Certification Program identifies low-emitting materials, finishes and products for indoor environments and is certified by UL.

Group Controller: A device which allows the user to control 2 or more standard motors as a group.

H

Hard Wire: A type of power for motors in which the electrical wires for the motor are directly connected to the buildings power lines by splicing.

Heat Seal: A process that uses heat to bond two materials together.

Heavy Duty: A term used to describe a robust component, typically intended for larger shades.

Hembar: Is a term used to indicate the finishing method for the bottom of a shade, typically comprised of a stiff bar across the width of the shade that is internal or external.

Hembar Weight: A weight that is used on the hembar to increase the functionality of the shade by allowing the fabric to be pulled taught due to the hanging weight.

High Voltage: AKA Line Voltage. In shading terms, used to describe the standard electrical voltage found in residential and commercial buildings, typically 120V (US) or 220V (EU).

Home Run: An electrical cable that carries power from the main circuit breaker panel directly to a motor.

Hourglassing: A term used to describe the behavior of a shade wherein the fabric may curl inward slightly along the edges, causing it to look like an hourglass.

**I**

IB: Stands for “Inside Bracket” and indicates that a shade is to fit inside of the measurement that has been given.

Idler: A term used to describe the “pin end” of a shade which does not participate in the operation of the shade, but instead remains “idle” as the drive performs its operation. May be retractable.

Install: To set up for use or service.

Integrate: To connect two items of hardware or software so that they can be operated jointly or communicate with each other.

Interface: A device or program for connecting two items of hardware or software so that they can be operated jointly or communicate with each other.

Intermediate Position: A “stop” position for a motor which is somewhere between the upper and lower limits.

IP : Stands for “Internet Protocol” and is usually used to indicate a connection to a network.

**J**

Jamb Mount: When a bracket is installed with screws projecting into the vertical sides of a window or other opening.

Jog: A fast up and down movement of a motor, like a nod, indicating the motor has received a stationary command.

**L**

Lead: An electrical connection consisting of a length of wire that comes from a device.

LEED: Stands for “Leadership in Energy and Environmental Design.” A set of rating systems for the design, construction, operation, and maintenance of green buildings, homes and neighborhoods. Regulated by the USGBC.

Length: Indicates the measurement typically taken on the vertical plane (top to bottom). AKA Height.

Light Gap: Refers to the small amount of light which leaks around the edges of the fabric of a shade due to the EDGE CLEARANCE.

Limits: A term used to describe the end of a shade cycle. May refer to the Lower (Bottom) Limit or Upper (Top) Limit.

Line Voltage: See HIGH VOLTAGE.

Low Voltage: In shading, a term used to describe an electrical voltage which requires a transformer to step-down the high voltage from the main power source, typically to 12V- 24V.

**M**

Maintained Switch: A switch used in motorization that locks into position, or “maintains”, the last button pressed by the user and does not disconnect the circuit, or return to neutral, until the user does so manually.

Manual: A manual window treatment is one that must be operated by hand.

Momentary Switch: A switch used in motorization that will close a circuit while the user is pressing it. Once released, it snaps back to neutral and disconnects the circuit.

Motorized: A motorized treatment is one that has a motor which is controlled by a remote control, wall switch, 3rd party automation or building management system.

Mullion: A vertical or horizontal element that forms a division between units of a window or is used decoratively.

Multibanded Shade: A shade comprised of two pieces of fabric (or more) on separate tubes but joined together with a specially designed center support and operated simultaneously by one drive.

MY button: A special button on Somfy remote controls that acts as a STOP button or sends the shade to an intermediate position, if one has been set.

**N**

Natural Light: Light that is produced naturally by the sun.

Newton Meter: A unit of torque. 1 Nm = 8.8 lbs in.

Non-Woven: A material that is made by a production process other than weaving threads together.

**O**

OB: Stands for “Outside Bracket” and indicates that a shade is to fit outside of the measurement that has been given.

Opaque: A fabric that is not able to be seen through.

Openness Factor: Openness Factor, or just “Openness”, refers to the amount of light that a solar fabric allows to pass through into the space. The openness is represented by the percentage of light that is allowed to penetrate through the fabric.



**P**

Photovoltaic: Relating to the production of electric current when exposed to light.

Piggyback Shade: A type of Double Shade. Piggyback shades are hung staggered, one on top of the other, and are generally taller than they are wide, allowing you to hang two shades as close to the window as possible.

Pocket: a) An enclosure that houses all shading components and is mounted above or below the ceiling line. B) an envelope created by folding over the edge of a fabric and sealing all three open sides.

Power: Indicates how a device is supplied with mechanical or electrical energy.

Privacy: A fabric that is not visibly transparent, but will still allow some light to pass through. Will also allow shadows and shapes to be seen through the material.

Program: To input instructions or "set up" a motor.

PVC : Stands for "Polyvinyl chloride." A common substance found in solar materials that may produce harmful gas as it deteriorates over time.

**R**

Radio Communication: A form of motor communication that uses radio waves to send a command signal between a transmitter (remote) and a receiver (motor) in order to operate the shade.

Railroading: AKA Railroad Cut. A term used to describe a production technique wherein a shade is produced by turning the fabric sideways from how it comes off the roll to avoid seams.

Rear Fascia: Fascia that used on the back side of a shade (towards the glass).

Reflective: Having the ability to throw back light or heat, without absorbing it.

Regular Roll: A term used to describe when the fabric of the shade will roll off the back of the tube (toward the glass).

Remote Control: A hand-held device that controls a motor from a distance.

Repeater: A device used to extend the distance of a radio signal by echoing any received signal back out again.

Residential: A smaller project that typically involves a space for people to live.

Reverse Roll: A term used to describe when the tube of the shade is blocked because the fabric comes down from the top of the tube (away from the glass).

Rocker Switch: An on/off switch that rocks when pressed, which means one side of the switch is raised while the other side is depressed much like a rocking horse rocks back and forth.

Roller Shade: A type of window treatment that allows a fabric to roll around a tube and can be unrolled to protect against damage from the sun.

Roller Tube: The long cylindrical tube connected to the shade fabric, which is responsible for supporting the width of the shade.

RPM: Stands for "Revolutions (or Rotations) Per Minute." A speed measurement used for motors.

RS-232: A type of serial communication.

RS-485: A type of serial communication.

RTS: Stands for "Radio Technology Somfy." A proprietary Radio control for Somfy motors.

**S**

Seam: The joint where two pieces of fabric are bound together.

Sensor: A device that detects or measures a physical property, such as heat or light.

Sheer: A fabric that is transparent.

Side Channel: A type of CHANNEL that runs along the side of a shade.

Sill Channel: A type of CHANNEL that runs along the side of a shade.

Single Banded Shade: A shade is made with one continuous piece of fabric.

Slope: In shading, a window which is tilted, and not 100% perpendicular to the floor, is considered sloped.

Solar: Of or having to do with the sun.

Somfy: An international manufacturer of components for motorized shades, such as motors, controls, and sensors.

SPDT: Stands for "Single Pole, Double Throw" The number of poles on a switch defines how many separate circuits (Motors) the switch can control. A switch's throw-count defines how many directions the switch's poles can be connected to. Therefore, a SPDT switch can operate one motor, in two directions (up and down).

Specification: Specification (often abbreviated as spec) may refer to an explicit set of requirements to be satisfied by a material, design, product, or service during the construction of an architectural/construction project.



Spline: A material used to create a hard edge on fabric or a small metal bar which may be inserted into a groove (such as on a hembar or a roller tube) in order to attach the fabric.

Spring Assist Mechanism: A mechanical piece which is attached to the clutch (manual shades) and is inserted inside the roller tube in order to assist with the operation of the shade. The spring reduces the torque required by the drive to lift the shade.

Spring Lift: An old fashioned type of shade in which a spring, which locks, operates the shade when the user pulls the fabric down and allows it to lock in the desired location.

SSP: Stands for "Sealed Side Pocket" and is a style of hembar in which a stiff piece of metal is inserted into a pocket that has been created at the bottom of the fabric by heat sealing on three sides.

Standard Fabric Direction: A term used to describe a production technique wherein a shade is produced using the fabric in the direction that it comes off the roll.

Submittal: Submittals, in Construction Management are shop drawings, material data, samples, and product data provided to the architect and engineer to verify that the correct products and quantities will be installed on the project.

T

Tandem Shade: A type of Double Shade. Tandem shades are hung one in front of the other at a preset distance and are wider than they are tall, allowing you to hang two shades without blocking too much of the window opening.

Telescope: A term used to describe the behavior of some roller shades where in the fabric rolls up unevenly, causing the edges of the fabric on the tube to be misaligned.

Tile Support: A small aluminum skirt found on pockets and closure mount which can be used to support a ceiling tile (in drop-ceiling installations) or can be mudded over when installing directly into the ceiling.

Torque: A measure of the turning force on an object, often expressed in Nm.

Transformer: A device used to raise or lower the voltage as it makes the transfer of electrical energy from one circuit to another. ridges.

Transmitter: A device which sends out a radio signal.

Trim: A term referring to additional decoration, typically along the edges of something and in contrasting color or material.

Twill: A fabric woven so as to have a surface pattern of diagonal parallel.

U

USGBC: Stands for "U.S. Green Building Council." A membership-based non-profit organization that promotes sustainability in how buildings are designed, built, and operated. USGBC is best known for its development of the Leadership in Energy and Environmental Design (LEED) green building rating systems and its annual Greenbuild International Conference and Expo.

UV: Stands for "Ultraviolet." Indicates the wavelength of light emitted from the sun which, if exposed in excess, can be harmful to people and animals.

W

Width: Indicates the measurement typically taken on the horizontal plane (Left and right).

Windowtex: The former name of WT Shade.

Wired: A term in motorization used to indicate that the communication and operation of the motor comes directly from the power wires, and not from a transmitter.

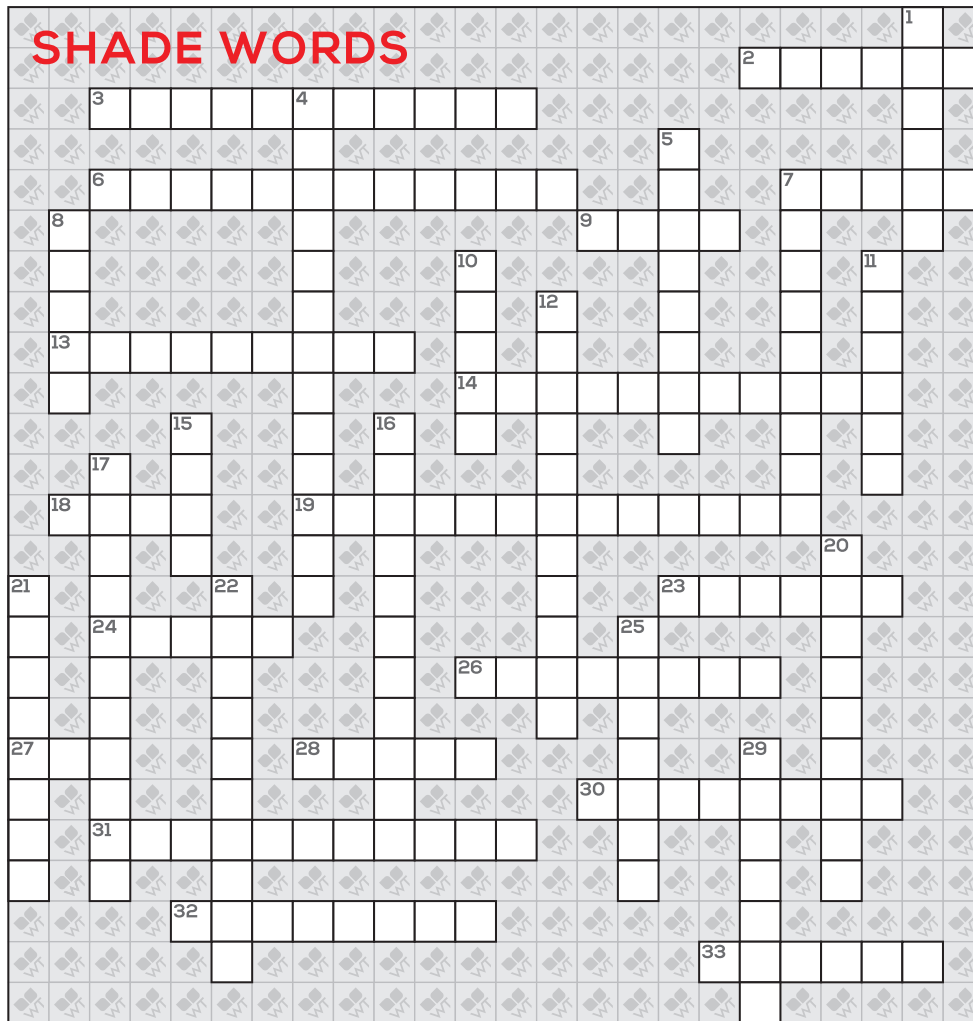
Wireless: A term in motorization to refer to a form of communication, such as RTS, which transmits a signal to a receiver in the motor and does not require a separate wire for communication with the motor.

Woven: A fabric formed by interlacing long threads passing in one direction with others at a right angle to them. There are many different types of weaves or weave patterns.

Wrap: The term "Wrap" refers to the extra fabric that gets wrapped around the tube during production of a roller shade. Typically expressed as "+".

GENERAL

WT
SHADE
NATURAL LIGHT MADE RIGHT



ACROSS

- 2 A shading enclosure
- 3 Networking digital hardware to communicate across platforms
- 6 When fabric curls inwards slightly along the edges
- 7 Having to do with the sun
- 9 Extra fabric rolled around the tube of a roller shade
- 13 The best solar fabric in the market (if you ask us)
- 14 A small aluminum skirt on some products ideal for drop-ceiling installations
- 18 Joint where two pieces of fabric are bound together
- 19 Abbreviated to "IB"
- 23 Detachable cover that masks a shade
- 24 A fabric that is transparent
- 26 The amount of light that will pass through fabric into the space
- 27 Side Sealed Pocket abbr.
- 28 An uncomfortably brilliant shine
- 30 Using fabric sideways from how it comes off of the roller
- 31 Unit of Torque
- 32 A special type of shade where the fabric unrolls upwards
- 33 Stiffener used to give more stability across the width of a fabric.

DOWN

- 1 Finish at the bottom of a shade
- 4 Indicated whether a fabric rolls off the front or back of the tube
- 5 Opaque Fabric
- 7 WT Shade's own bracket system
- 8 Pin end
- 10 The measurement taken from left to right
- 11 Drive system that moves a shade when the chain is pulled
- 12 More than one shade joined end to end, operating together
- 15 The vertical sides of a window
- 16 A plain weave with yarns woven in an over/under pattern
- 17 When fabric rolls up unevenly beyond the edge of the shade
- 20 A staggered double shade
- 21 Prevents the chain from passing further through the clutch
- 22 When a tube bows in the center
- 25 To set up for use
- 29 To input information into a motor

Stuck?

The answer key for this crossword puzzle can be found at WTShade.com/2019-Crossword-Solution

Discover more at WTShade.com!

WT Shade's interactive website allows you to explore all of our shading products, order samples, download construction documents and more! Everything you need is just one click away!

- Download product information,
- Order samples,
- Explore fabric and accessory options,
- Learn about WT Shade,
- Learn about shading, and more!



This catalog contains all of the necessary information to get you started on your next shading project using WT Shade®. We innovate, engineer, and manufacture high-performance roller shade solutions which are exclusive in design, compelling in aesthetic, simple to install, and effortless to use. We enable you to specify window treatments of distinction, while inspiring the trust and confidence that our products will perform beyond expectation. With our outstanding customer service and support, WT Shade is the go-to resource for any window treatment professional who wants every shade order to be made just right.



NATURAL LIGHT MADE RIGHT®



For more information, contact us today:
{T} 877.294.3580 • {F} 516.294.0444 • {E} info@WTShade.com
www.WTShade.com

77 Second Avenue • Garden City Park, New York 11040