

MEASUREMENT INSTRUCTIONS

Thank you for selecting WT Shade as your shading solution! We hope you will be pleased with the outcome of your project, and we strive to do everything in our power to make that so. If you have questions regarding our Shading Systems and Accessories, please **visit WTShade.com for detailed information about our products**, or call:

WT Shade Customer Service:

(877) 294-3580

Monday - Friday
8:30AM - 5:00PM

Before you Begin

Ensure the Area is prepared and ready to measure Production measurements should never be taken if the area where the window treatment is to be hung is not fully complete at the time of measurement. Additional installations such as wall paneling, pocket installations, and other types of finishes may impact the fit of the finished window treatment at the time of installation.

Identify any Special Conditions: In certain cases, conditions may require extra attention in order to create a proper window covering solution. If possible, these areas should be photographed, and additional measurements may be needed to ensure the shade will fit and function properly in the space.

Measurement Tips

- Always provide measurements with the width first and the height second (W x H).
- Measurements should always be provided in inches (").
- Provide the most accurate measurements possible (up to 1/8" increments).
- Have a WT Shade Request for Quote or Order Form with you to ensure you have accounted for all the details of your project while you are on site.
- Familiarize yourself with the WT Shade Shading System capabilities and limitations before you begin planning to ensure you are measuring for the proper solution.



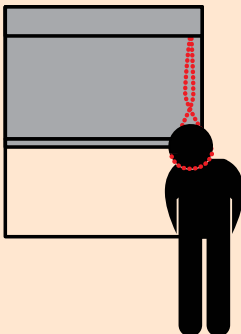
WARNING



ADVERTENCIA

Bead Chain can STRANGLE young children.

- Always keep bead chains out of children's reach.
- Move cribs, and other furniture away from bead chains. Children can climb furniture to get to bead chain.
- Attach tension device to wall or floor. Fasteners provided with tension device may not be appropriate for all mounting surfaces. Use appropriate anchors for the mounting surface conditions.
- For more information about the ANSI/WCMA Safety Standard please visit WCMAnet.org



La cuerda ciega de la ventana puede ESTRANGULAR su niño.

- Mantenga todas las cuerdas fuera del alcance de los niños.
- Mueva la cuna y los muebles. Los niños pueden subir los muebles para alcanzar las cuerdas.
- Conecte el dispositivo de tensión a la pared o al suelo. Los sujetadores provistos con el dispositivo de tensión puede no ser apropiados para todas las superficies de montaje. Utilice anclajes apropiados para las condiciones de la superficie de montaje.

1. Measuring Width

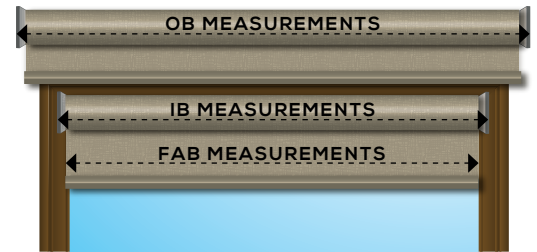
Depending on where the shade needs to fit, additional deductions may be **taken** from the width of the fabric to allow for clearance of the shade hardware. How much deduction needed is determined by the mounting position which should be indicated at the time of order.

IB Mount

Inside Measurement or Inside Bracket (IB) measurements are for mounting the shade inside of the window frame.

OB Mount

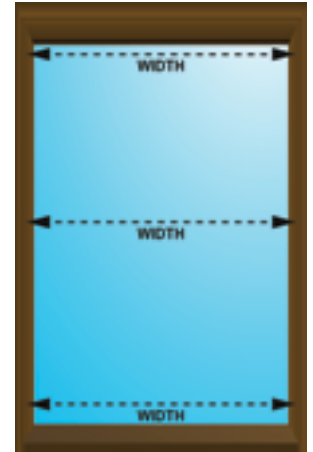
Outside Measurement or Outside Bracket (OB) measurements are for installing the shade outside of the window frame.



FAB Mount

Fabric Measurement (FAB), should be provided when you do NOT wish for there to be any deductions taken from the fabric or tube width. The bracket to bracket measurements for FAB Mount will be **LARGER** than the specified size once all the hardware has been added.

The width is measured from right to left in the area. Whether you are measuring for IB, OB, or FAB mounting positions, it is important to take measurements at multiple places across a window. Taking a minimum of three measurements across the width of the space being covered will ensure that the shade will fit properly. Use the shortest dimension as the width of the area.



2. Measuring Height

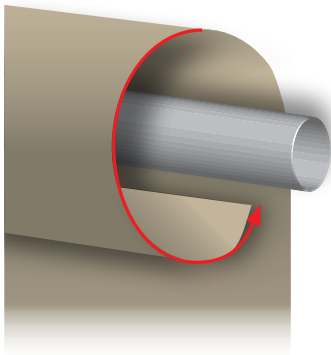
Typically, WT Shade adds additional length to the fabric for the wrap. The amount of additional length varies based on shading system.

OP

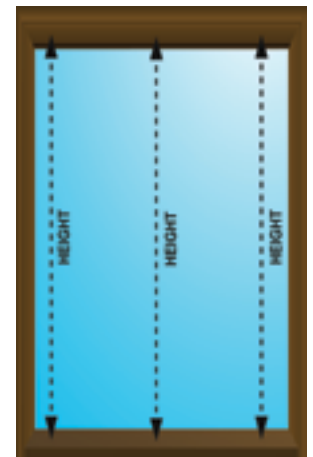
Opening Plus (OP) shades or shade bands have fabric added to the length for the wrap.

FIN

Finished Height (FIN) shades or shade bands will be made to the exact length given (from the top of the fabric to the bottom of the hembar).



Height measurements are taken from top to bottom of the opening. A minimum of three measurements should also be taken. Use the longest dimension as the height of the area.



3. Confirm Measurements

Always double check that measurements have been taken properly and recorded correctly.

WT SHADE DOES NOT TAKE RESPONSIBILITY FOR IMPROPERLY OR INCORRECTLY MEASURED WINDOWS.

