

H300 Pocket Clutch Shade

Technical Data

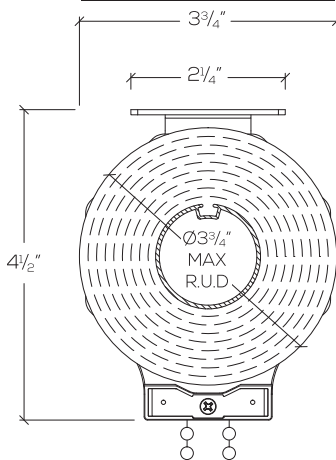


**ANSI/WCMA
CHILD SAFETY
TENSION DEVICE
(STANDARD)**

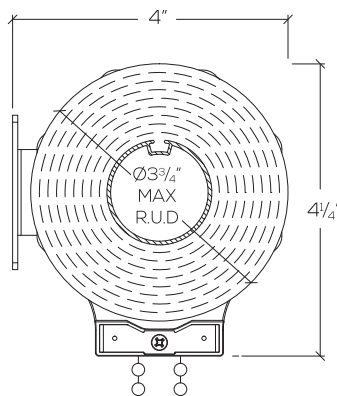


**CPSC
CHAIN GUARD
(OPTIONAL)**

CEILING/JAMB MOUNT

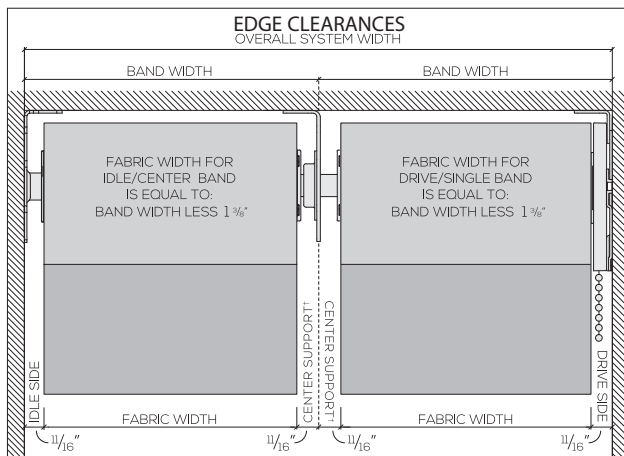


WALL MOUNT



FEATURES AND BENEFITS

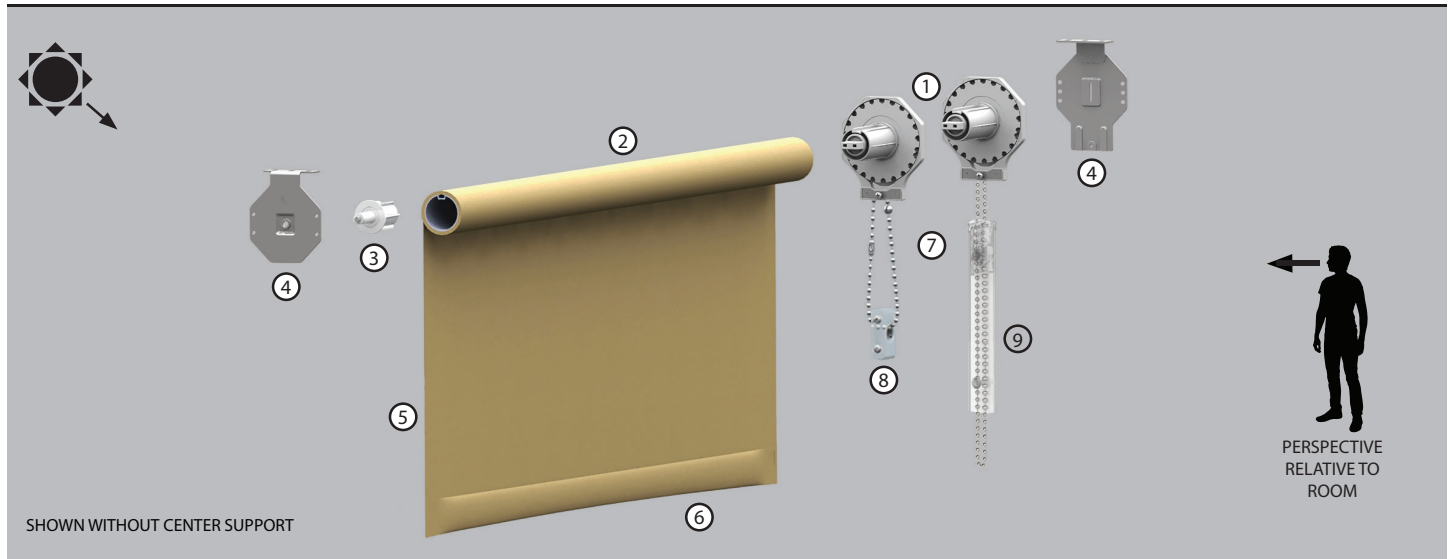
- Featuring our smallest profile Bracket for installing in tight spaces and pockets when not using fascia. Accommodates Ceiling, Wall or Jamb mounting with easy, on-the-fly adjustments.
- Regular and Reverse Roll available.
- Clutches feature an integrated stainless steel reinforced Chain Diverter and Set Screw for maximum stability, durability and added safety, and can be Drive Right or Drive Left.
- Metal to metal contact points on both the Drive and Idle sides of the shade ensure a sturdy and reliable connection to the brackets.
- WT Shades are available with our WT Shade fabrics, or Mermet® and Phifer® fabrics. Visit WTShade.com to view fabric options, and other options and accessories, including Regular or Reverse Roll and various Hembar styles and Drive Chain Colors.
- Construction Documents for this system and others available at WTShade.com.



IPC.3502/Rev1

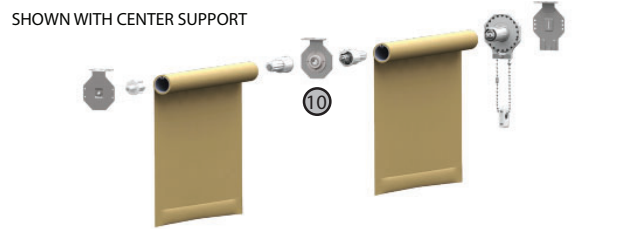
H300 Pocket Clutch Shade

Technical Data



#	ITEM	ADDITIONAL INFORMATION	COLOR OPTIONS
1	CLUTCH	Will be color coordinated based on fabric color.*	White (-10) Black (-90)
2	ROLLER TUBE	1.5", 2" or 2.38" Diameter.	
3	IDLER	Retractable. Will be color coordinated based on fabric color.*	White (-10) Black (-90)
4	BRACKETS	Ceiling/Jamb(C) or Wall (W) Mounted; Drive Right(R) or Drive Left(L).	n/a
5	FABRIC	See fabric selection for all available options.	Visit WTShade.com
6	HEMBAR	Sealed Hembar shown, alternate styles and colors available.	Visit WTShade.com
7	DRIVE CHAIN	Stainless Steel shown.	Visit WTShade.com
8	CHILD SAFETY TENSION DEVICE	ANSI/WCMA A100.1-2022 compliant.	Clear(-98)
9	CHAIN GUARD	WCMA and CPSC compliant.	Clear (-98)
10	CENTER SUPPORT (INCLUDES CENTER SUPPORT BRACKET, TANGS, AND FORKS)	Coupled option available up to 3 bands. Can be Ceiling or Wall Mounted. Drive Right or Drive Left.	n/a
N/A	LIGHT BLOCKING ACCESSORIES	(Not shown) Side channel, Sill channel, or Light stop angle.	Visit WTShade.com
N/A	SAM (SPRING ASSIST MECHANISM MIN SHADE WIDTH: 37 1/2")	(Not Shown) May be added to any system to decrease the pulling force necessary to operate the shade. Drive Right or Drive Left.	

* See Color Coordination Guide for more information.



SERIES	MAX. RUD	MIN. SHADE WIDTH	MAX. SHADE WIDTH	MAX. SHADE HEIGHT
H300	3¾"	12"	120"	180"

System Capabilities are for guideline purposes only based on WT 243 fabric and do not guarantee that a shade with any fabric can be made to these dimensions. Width and length may vary depending on selected shade fabric. Visit WTShade.com or contact Customer Service to verify system capabilities based on project specific selections.

⚠ WARNING

⚠ ADVERTENCIA

Window Blind Cord Strangulation Risk

Window blinds with a damaged or loose tension device or retractable cord that fails to fully retract pose a strangulation risk to children. To avoid this potential strangulation risk, consider purchasing cordless products or products with inaccessible cords.

Elimina el riesgo de estrangulamiento del cordón de la persiana

Las persianas con dispositivos de tensión suelto, dañado o con un cordón retráctil cuyo mecanismo se encuentre deteriorado, representa un riesgo de estrangulación para los niños; por ello prefiera comprar productos con sistemas inalámbricos o con cordones de difícil acceso.