

# BASIC PROGRAMMING INSTRUCTIONS

Digital motors are capable of performing many intricate functions and can be programmed to do an extremely large number of things. These instructions will allow you to program and set up a very basic digital motor network. If you are looking for more advanced instruction, please contact WT Shade Customer Service.

**WT Shade Customer Service:**  
**(877) 294-3580**  
Monday - Friday  
8:30AM - 5:00PM

**Follow these  
instructions for:**



## **Before you Begin**

You may perform the three steps of this installation in any order you see fit, but all three steps must be performed for motors to function properly.

### **Shading Schedule:**

We strongly recommend creating a Shading Schedule prior to installing digital motors. A "Shading Schedule" is like a map for programming shades, outlining how each motor is grouped and what commands or controls each motor will respond to.

A blank shading schedule and a sample shading schedule are available for download at [WTShade.com/document-library/](https://WTShade.com/document-library/)

**NOTE: YOU MUST ENSURE THAT THERE IS POWER TO THE SHADES PRIOR TO PERFORMING THESE INSTALLATION STEPS.**

### **Tools you will need to provide:**

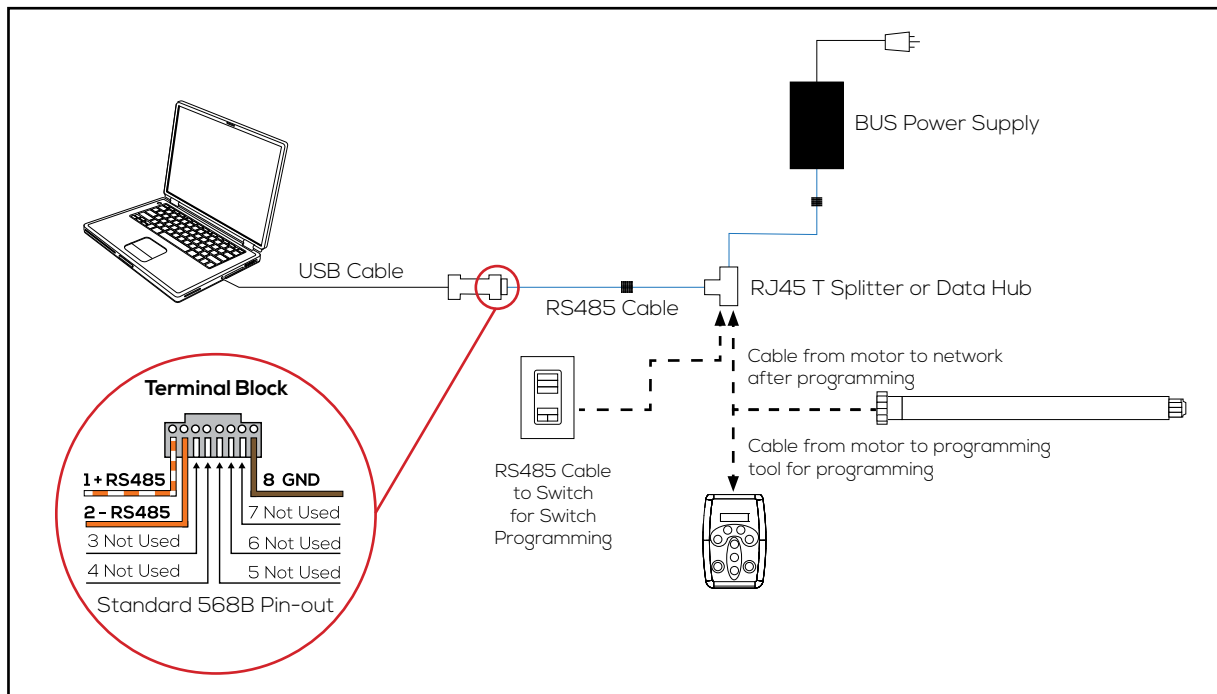
- Laptop
- USB to RS485 Adapter (with Drivers preloaded)
- Programming Cable- RJ45 to Terminal Block with Standard 568B Pin-out.
- Data Hub or T Splitter
- BUS Power Supply
- RS485 Limit Setting Tool
- RS485 Communication Cables

### **Visit <https://WTShade.com/document-library/> to download:**

- **REQUIRED** - Somfy Motor Configuration Software
- **REQUIRED** - Somfy Keypad Configuration Software
- **OPTIONAL** - *Basic 6-Button Switch Pre-load*
- **OPTIONAL** - *Shade Schedule*



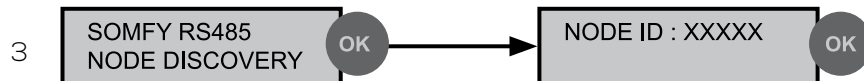
# SET-UP FOR MOTOR/SWITCH PROGRAMMING



## INSTRUCTION SET 1: LIMIT SETTING

**Motor must be mounted in brackets and connected to power prior to completing this step.**

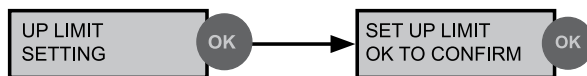
1. Connect communication cable from the motor to Limit Setting Tool via the port in the top of the tool.
2. Press the to power on the Limit Setting Tool.



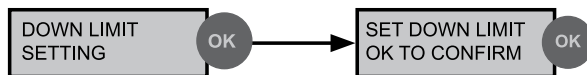
4. Check Motor Direction: When you press the shade should roll up. When you press the shade should unroll. If this is reversed follow these steps.



5. Use to move to the next step.
6. Set the top limit: Use and and to position the shade at its upper most point. To set:



7. Use to move to the next step.
8. Set the top limit: Use and and to position the shade at its upper most point. To set:



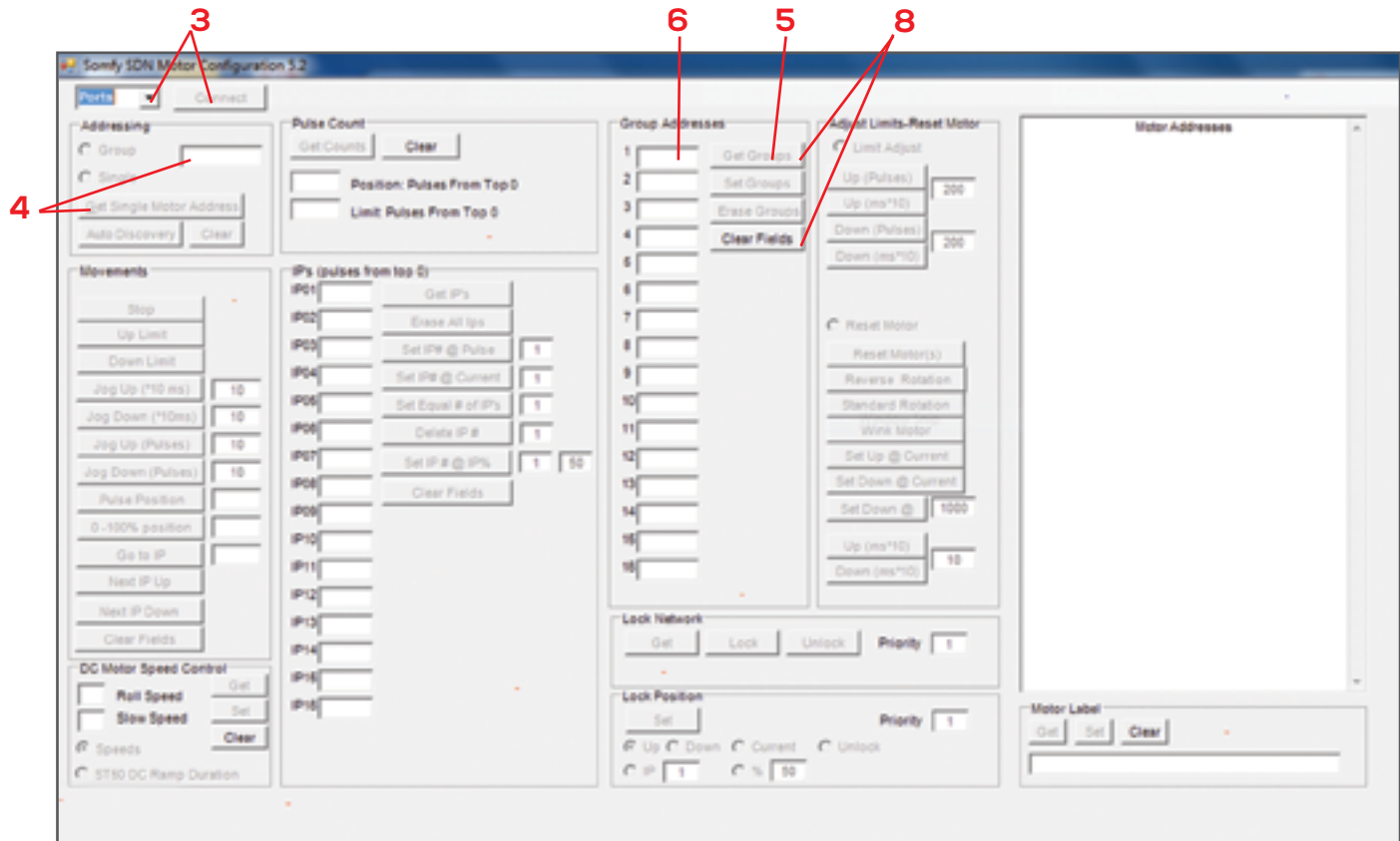
9. Repeat these steps for each motor.



## INSTRUCTION SET 2: SETTING MOTOR GROUP ADDRESSES

**You may perform these steps prior to installing the shade. Motor must be connected to power.**

NOTE: There are ways to program motors all connected to one system, but the instructions vary slightly from these. These instructions are intended for small projects only.



1. Prepare your computer for the installation as previously shown and ensure you have preloaded the Somfy Motor Configuration Software on your machine.

2. Connect ONE MOTOR AT A TIME to this set up by connecting the data cable from the motor head to the T Splitter or Data Hub.

3. In the Somfy Motor Configuration Software:

From the drop-down menu in the upper left, select the correct port (there will most likely be only one option but if there are multiple, you can repeat the next step a few times to find the correct one) and hit "CONNECT."

4. Click "Get Single Motor Address". Make note of the Node ID. This is the address you will use to troubleshoot, adjust, or connect to this motor in the future.

5. Click "Get Groups". If the motor has never been programmed, the default addresses will generate as "FFFFFF" in all 16 Groups.

6. Input your group addresses from your shading schedule. Addresses should be Hexadecimal only (Numbers 0-9, Letters A-F).

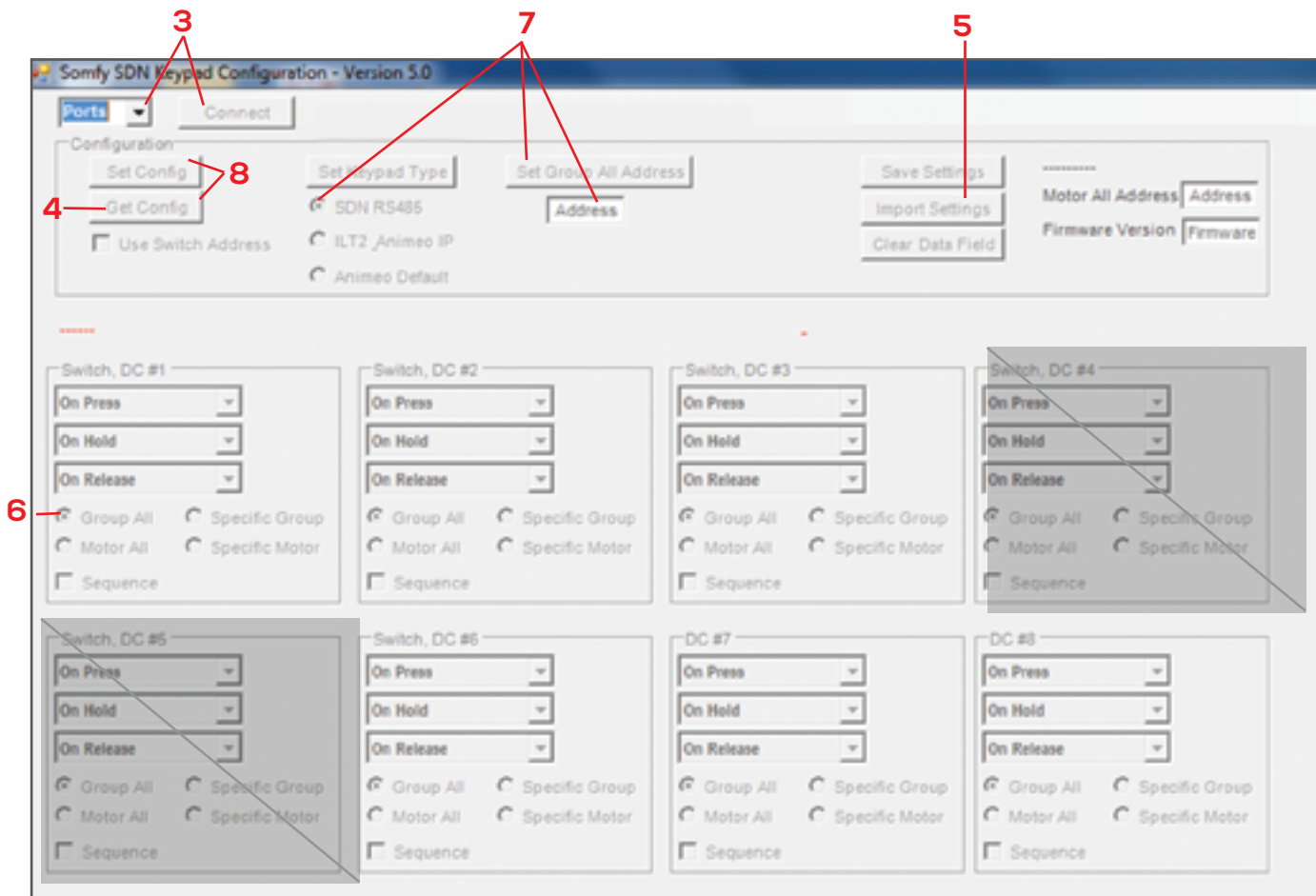
7. **MOST IMPORTANT ADDRESS** - You must input at least 1 unique switch address in order to control the shades. This switch address should be a Hexadecimal number that can be assigned to one or more switches. You may reuse the same switch address multiple times as long as each switch with that address is controlling the same shades in the same way. Any variation will require a new switch address.

8. Click "Set Groups" to save this programming. To double check that everything has saved correctly, click "Clear Fields" and then "Get Groups" and make sure the groups generate as you have set them.

9. Repeat steps 2-8 for each motor.

## INSTRUCTION SET 3: SET UP A KEYPAD

You may perform these steps prior to installing the shade. **IMPORTANT NOTE:** You must isolate each keypad from the network to program. Do not attempt to program multiple switches at once.



1. Prepare your computer for the installation as previous and ensure you have preloaded the Somfy Keypad Configuration Software on your machine.

2. Connect ONE SWITCH to this set up by connecting the data cable from the motor head to the T Splitter or Data Hub.

3. In the Somfy Switch Configuration Software:

From the drop-down menu in the upper left, select the correct port and hit "CONNECT."

4. Click "Get Config".

5. Click "Import Settings" and select the preload file "6 Button Keypad Preload" which can be downloaded at WTShade.com.

6. Adjust the settings for each button as desired. Make sure that "Group All" is toggled for each button

7. Input your switch address in the box and click "Set Group All Address". Ensure "SDN RS485" is toggled. **NOTE:** This switch address should match the switch address that was input into the motor groups in the previous instruction set.

8. Click "Set Config" to save this programming. To double check that everything has saved correctly, click "Clear Fields" and then "Get Config" and make sure the groups generate as you have set them.

9. Repeat these steps for each keypad.

