

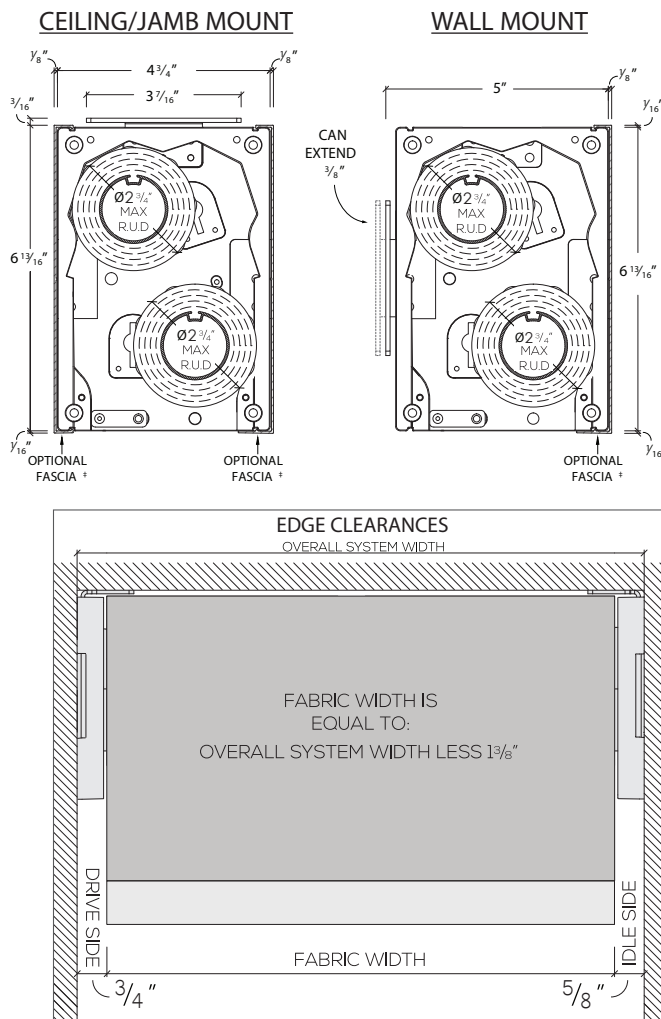
CF200 SoloMount® Dual Cordless Shade

Technical Data



FEATURES AND BENEFITS

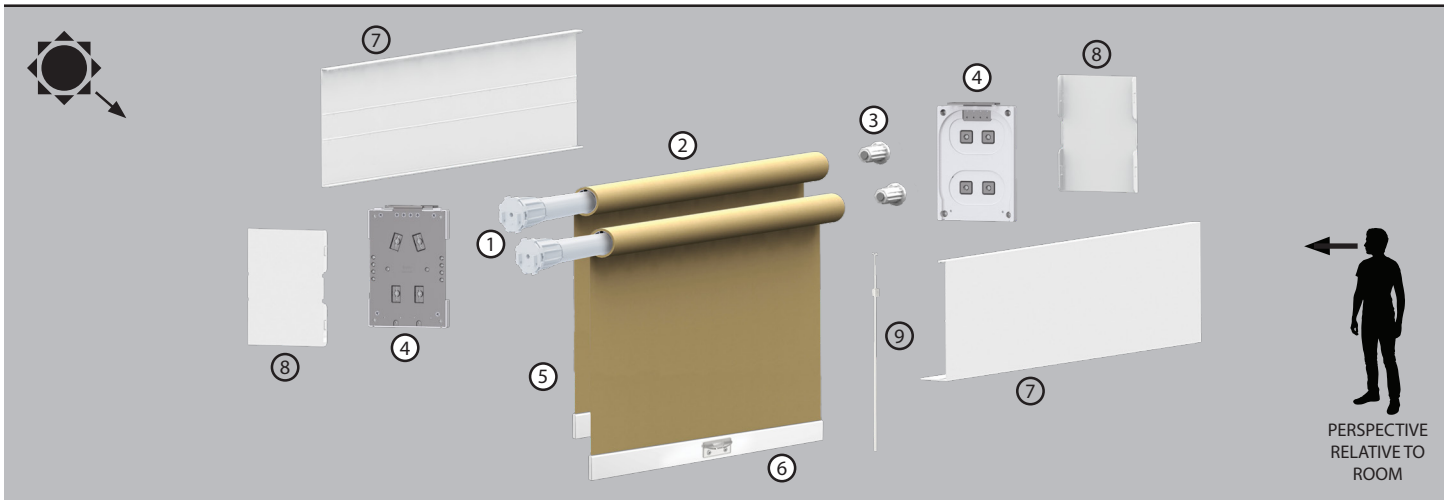
- Dual shades can be installed in two ways: staggered on a dual bracket; or tandem, hung one in front of the other using individual brackets.
- Featuring our proprietary, all-in-one SoloMount® Brackets: Ceiling, Wall or Jamb mount capable allowing easy, on-the-fly adjustments. Mounting flange is extendable for Wall Mount applications.
- Available with Front Fascia, Rear Fascia, or Both, SoloMount® is designed to accept fascia at the time of order or any point in the future.
- Lightweight, balanced spring tension for optimal shade positioning with the touch of a finger.
- Metal to metal contact points on Idle side of the shade ensure a sturdy and reliable connection to the bracket.
- Handle and optional extendable operating wand for tall or hard to reach shades.
- WT Shades are available with our WT Shade fabrics, or Mermet® and Phifer® fabrics. Visit WTShade.com to view fabric options, and other options and accessories, including Regular or Reverse Roll and various Hembar styles.
- Construction Documents for this system and others available at WTShade.com.
- Third party certified to meet WCMA Best for Kids Program Eligibility.



IPC.3493/Rev4

CF200 SoloMount® Dual Cordless Shade

Technical Data



#	ITEM	ADDITIONAL INFORMATION	COLOR OPTIONS
1	SPRING	Up to 12lbs lifting capacity.	White (-10)
2	ROLLER TUBE	1.5" or 2" Diameter.	n/a
STANDARD COMPONENTS	3	IDLER	Retractable. Will be color coordinated based on fabric color.*
	4	BRACKETS	Ceiling/Jamb(C) or Wall(W) Mounted. Drive Left(L) for regular roll, Drive Right(R) for reverse roll. Will be color coordinated based on fabric color.*
	5	FABRIC	See fabric selection for all available options.
	6	HEMBAR	External hembar with clear handle.
	7	7" FASCIA	Available for Front & Rear application for Regular or Reverse Roll.
	8	END CAPS	
OPTIONAL	9	EXTENDABLE OPERATING WAND	Extends reach by 28" - 52"
	N/A	LIGHT BLOCKING ACCESSORIES	(Not shown) Side channel, Sill channel, or Light stop angle
	N/A	WALL MOUNT ANGLE	(Not Shown) Required for Wall Mount applications with Rear Fascia. Size: 6½" x 6½" x 1½"

* See Color Coordination Guide for more information.

SERIES	MAX. RUD	MIN. SHADE WIDTH	MAX. SHADE WIDTH	MAX. SHADE HEIGHT
CF200PB	2¾"	17"	120"	144"

System Capabilities are for guideline purposes only based on WT 243 fabric and do not guarantee that a shade with any fabric can be made to these dimensions. Width and length may vary depending on selected shade fabric. Visit WTShade.com or contact Customer Service to verify system capabilities based on project specific selections.

