

ACCESSORY DATA SHEET

3.5" FRONT FASCIA

- Fascia is a decorative cover that hooks onto a SoloMount bracket to hide the shading hardware from view.
- Since it requires no tools to install, fascia can be ordered with your shading system or added any time after installation.
- This fascia is used for front applications for regular roll shades or rear applications for reverse roll shades.
- Content: Aluminum Alloy
- Can be cut to size or shipped in full length pieces.
- Max Length: 16' (192")
- Available in five colors.

Part Numbers:

FH35-10 (White)
FH35-04 (Ivory)
FH35-20 (Silver)
FH35-50 (Bronze)
FH35-90 (Black)



White (-10)



Ivory (-04)



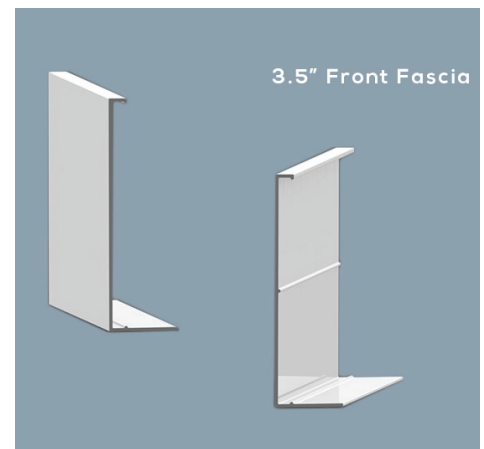
Silver (-20)



Bronze (-50)

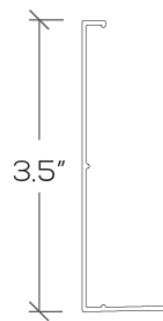


Black (-90)



This Fascia is compatible with the following shading systems:

- HeliaRise H200 SoloMount
- MotoRise MR150 SoloMount



ACCESSORY DATA SHEET

3.5" REAR FASCIA

- Fascia is a decorative cover that hooks onto a SoloMount bracket to hide the shading hardware from view.
- Since it requires no tools to install, fascia can be ordered with your shading system or added any time after installation.
- This fascia is used for rear applications for regular roll shades or front applications for reverse roll shades.
- Content: Aluminum Alloy
- Can be cut to size or shipped in full length pieces
- Max Length: 12' (144")
- Available in five colors.

Part Numbers:

RH35-10 (White)

RH35-04 (Ivory)

RH35-20 (Silver)

RH35-50 (Bronze)

RH35-90 (Black)



White (-10)



Ivory (-04)



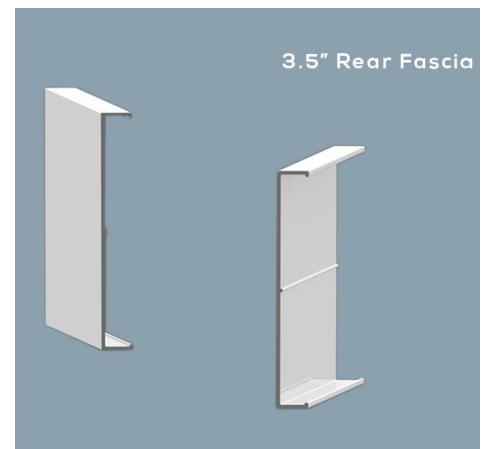
Silver (-20)



Bronze (-50)



Black (-90)



This Fascia is compatible with the following shading systems:

- HeliaRise H200 SoloMount
- MotoRise MR150 SoloMount

