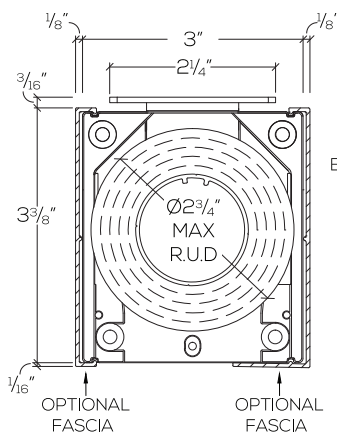


MR150 SoloMount® Motorized Shade

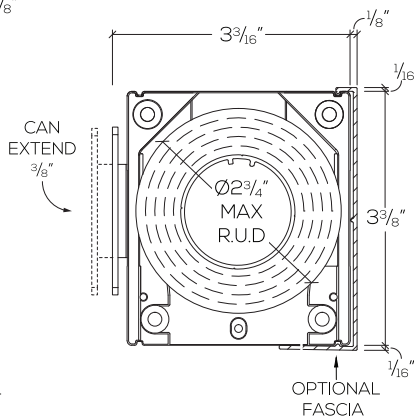
Technical Data



CEILING/JAMB MOUNT



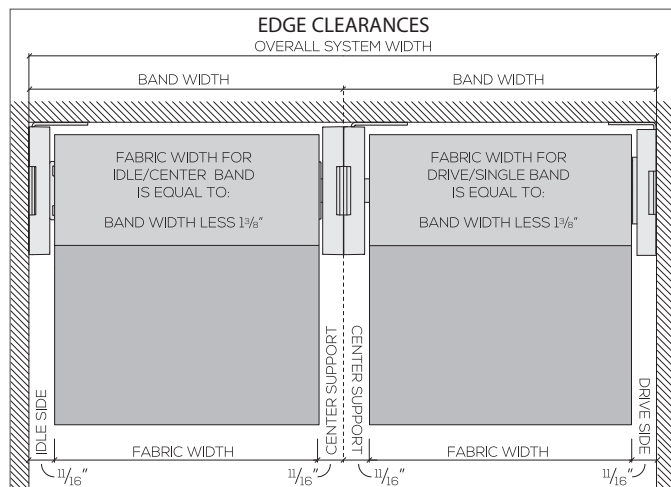
WALL MOUNT



FEATURES AND BENEFITS

- Featuring our proprietary, all-in-one Solomount® Brackets: Ceiling, Wall or Jamb mount capable allowing easy, on-the-fly adjustments. Mounting flange is extendable for Wall Mount applications.
- Available with Front Fascia, Rear Fascia or Both. SoloMount® is designed to accept fascia at the time of order or at any point in the future.
- See Motor Reference Guide for all compatible motor options. Motors may be Drive Right or Drive Left, Regular and Reverse Roll available.
- Motorized Shades require a Motor Control in order for the shade (sold separately). See Communication Guides for Motor Control information.
- WT Shades are available with our WT Shade fabrics, or Mermet® and Phifer® fabrics. Visit WTShade.com to view fabric options, and other options and accessories, including Regular or Reverse Roll and various Hembar styles and Drive Chain Colors.
- Construction Documents for this system and others available at WTShade.com.
- Third part certified to meet WCMA Best for Kids Program Eligibility.

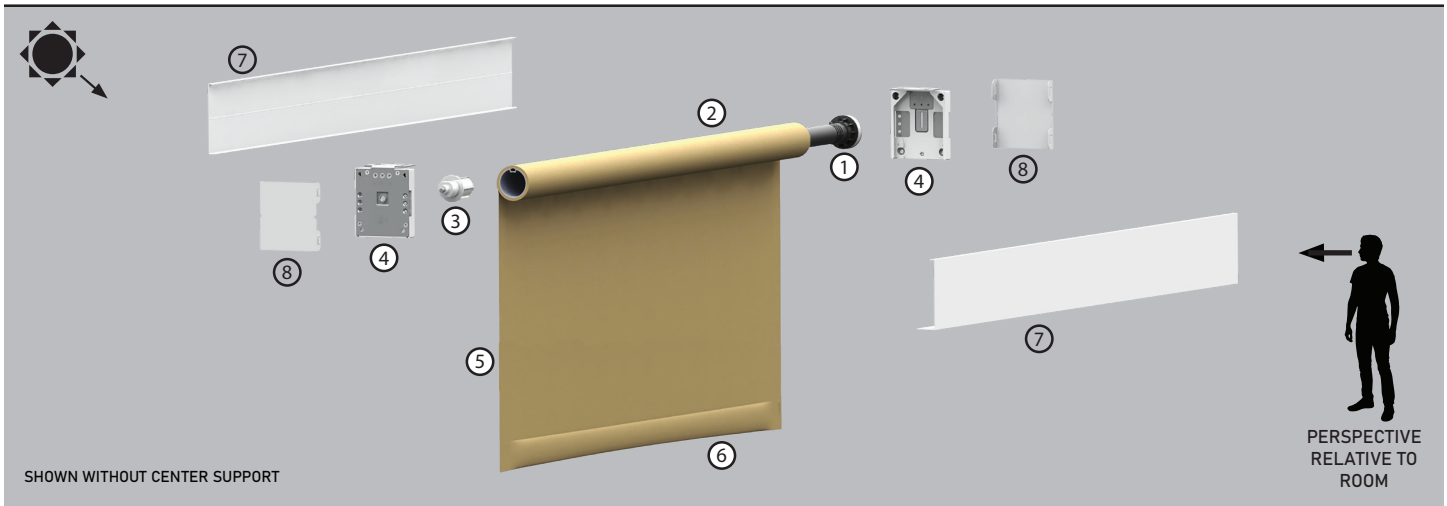
EDGE CLEARANCES



IPC.3517.Rev2

MR150 SoloMount® Motorized Shade

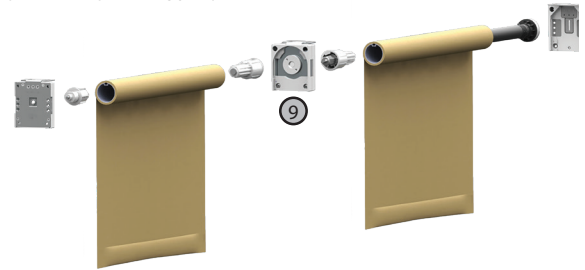
Technical Data



#	ITEM	ADDITIONAL INFORMATION	COLOR OPTIONS
1	MOTOR WITH ADAPTERS	See Motor Reference Guide for available motors.	
2	ROLLER TUBE	1.5" or 2" Diameter.	
3	IDLER	Retractable. Will be color coordinated based on fabric color.*	White (-10) Black (-90)
4	BRACKETS	Ceiling/Jamb(C) or Wall(W) Mounted; Drive Right(R) or Drive Left(L). Will be color coordinated based on fabric color.*	White (-10) Black (-90)
5	FABRIC	See fabric selection for all available options.	Visit WTShade.com
6	HEMBAR	Sealed Hembar shown, Alternative styles and colors available.	Visit WTShade.com
7	3.5" FASCIA	Available for Front & Rear application for Regular or Reverse Roll.	White(-10) Ivory(-04) Silver(-20) Black (-90) Bronze(-50)
8	END CAPS		White(-10) Ivory(-04) Silver(-20) Black (-90) Bronze(-50)
9	CENTER SUPPORT INCLUDES CENTER SUPPORT BRACKET, TANGS, AND FORKS	Coupled option available up to 3 bands. Can be Ceiling or Wall Mounted. Drive Right or Drive Left.	White (-10) Black (-90)
N/A	LIGHT BLOCKING ACCESSORIES	(Not shown) Side channel, Sill channel, or Light stop angle.	Visit WTShade.com
N/A	WALL MOUNT ANGLE	(Not Shown) Required for wall mount applications with rear fascia. Size: 3½" x 3½" x 1¼".	
N/A	MOTOR CONTROL	(Not Shown) SOLD SEPARATELY See Communication Guides for available control options.	

* See Color Coordination Guide for more information.

SHOWN WITH CENTER SUPPORT



SERIES	MAX. R.U.D.	MIN. SHADE WIDTH**	MAX. SHADE WIDTH**	MAX. SHADE HEIGHT**
MR150	2¾"	**	132"	162"

** Varies by motor- See Motor Reference Guide.

System Capabilities are for guideline purposes only based on WT 243 fabric and do not guarantee that a shade with any fabric can be made to these dimensions. Width and length may vary depending on selected shade fabric. Visit WTShade.com or contact Customer Service to verify system capabilities based on project specific selections.

